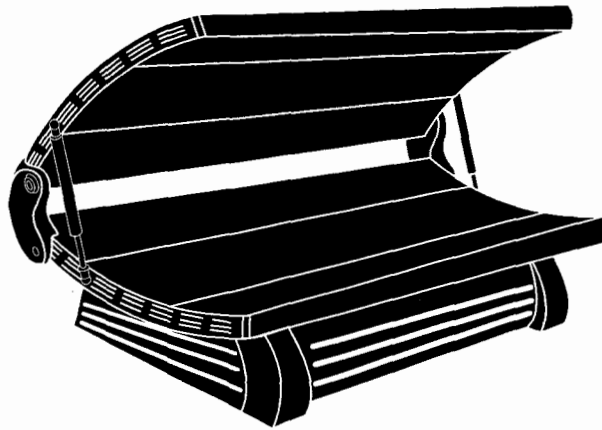




ASSEMBLY AND USER GUIDE



MODELS PRO 30LX / 30LXF / 30LX2F  
26LX / 26LXF / 26LXT / 26LX2F

# Welcome

---



Congratulations on your purchase of this technologically advanced sun tanning unit. It has been designed to provide years of dependable service for you.

Please read all the instructions in this booklet before installing and using the unit. Always be sure to observe all safety precautions.

# Contents

---



<b>Safety Information</b> .....	<i>iii</i>
<b>Installation</b> .....	<b>1</b>
Unpacking and Inspection.....	1
Tools Required.....	2
Pre-Installation Planning.....	3
Assembly Procedures.....	4
Making Electrical Connections.....	10
<b>Operation</b> .....	<b>11</b>
Before You Tan.....	11
Exposure Times.....	11
Using Your Sunbed.....	12
<b>Care and Maintenance</b> .....	<b>13</b>
Cleaning After Use.....	13
Thorough Periodic Cleaning.....	13
Mechanical Inspection.....	13
Replacing Lamps.....	14
Timer Maintenance.....	17
<b>Troubleshooting</b> .....	<b>18</b>
<b>Obtaining Service</b> .....	<b>19</b>

# Installation

---



## Unpacking and Inspection

Your sunbed comes in two cardboard cartons, one for the bench and one for the canopy or top deck. Open the cartons and remove the bench and canopy as follows.

The bench and canopy are each wrapped in plastic. With a helper, grasp the bench and pull it from the carton bottom, leaving the plastic wrap and the carton packaging. Do the same for the canopy.

**Note!** The cartons are reusable, in the unlikely event that you may find it necessary to return your sunbed.

The canopy box contains the canopy unit and a pair of gas springs. The bench box contains the following items:

- Bench Unit
- Front and side skirts with mounting screws
- Box containing necessary assembly hardware, remote bypass, safety goggles, and pillow
- Box containing two leg stands
- Assembly and User Guide

Inspect these items, including the canopy and bench, and make sure they are free from any visible damage. Report the extent of any damage to the transportation company.

Record the serial numbers of the canopy and bench in the area provided on the back page of this manual. This information will be required whenever you call customer service.



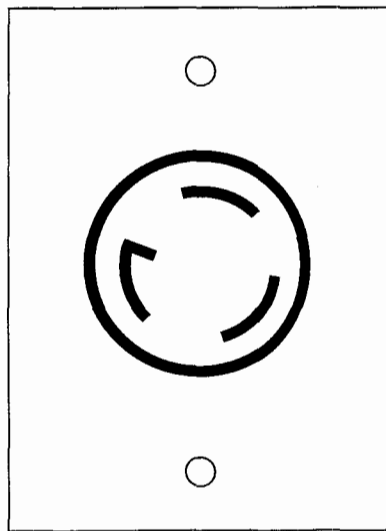
## Pre-Installation Planning

Before you begin to assemble your sunbed, you should observe the following pre-installation considerations.

- Your sunbed operates from a 220V ac source. You should have a NEMA L6-30R electrical outlet (like the type shown below) installed in the room in which you will use the unit. The outlet should be on a dedicated circuit capable of providing 30 Amp service. (We recommend installation by a professional electrician.) The outlet must be earth grounded.

### IMPORTANT!

Use of a voltage source above 230 V ac or below 220 V ac may prevent proper operation of the sunbed and could cause damage and void the warranty.



30 AMP NEMA #L6-30R RECEPTACLE

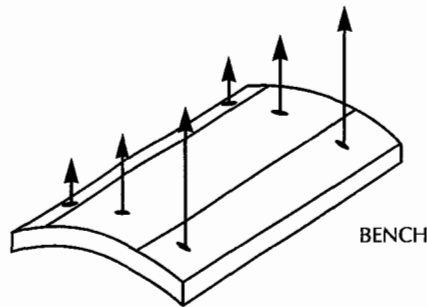
- Make sure the room in which you intend to use your sunbed is well ventilated. Air from the room is used to cool the sunbed, and a poorly ventilated room may cause the unit to become hot and cause discomfort to the user.
- Your sunbed is designed to operate in an ambient room temperature of 80°F maximum and 70% relative humidity.
- Place your sunbed no closer than 6" from any wall. Make sure that curtains, drapes, and other room furniture do not obstruct the airflow into the end caps or out of the fan opening areas.
- Proper assembly of your sunbed requires three people. Plan to have a couple of helpers assist you.



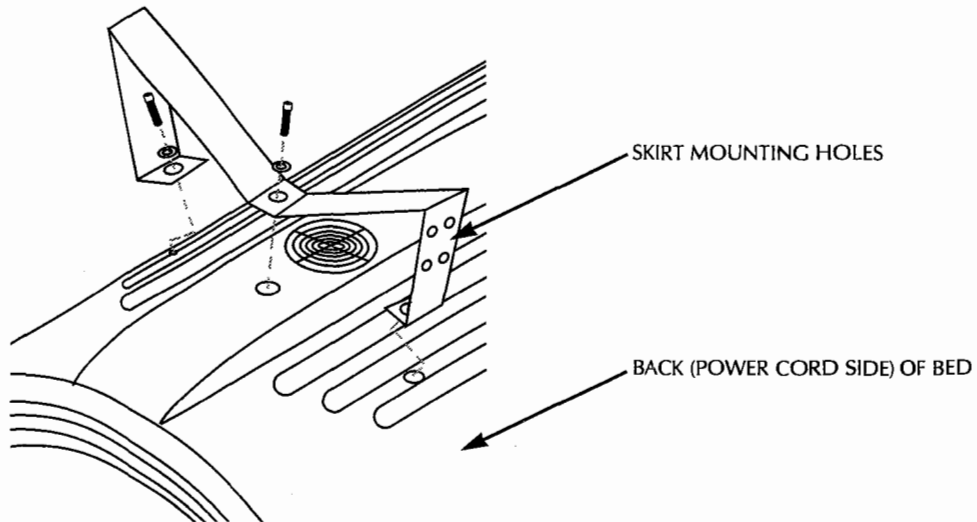
### Attaching Legs to Bench

Lay the bench upside down on the floor. Locate the two legs and attach to the bench as shown below.

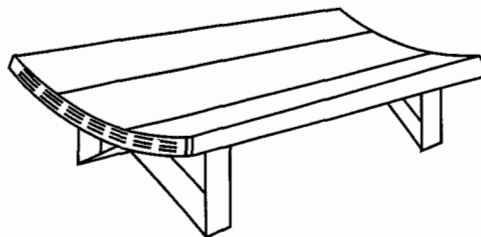
1. Remove six (6) allen-head bolts with washers from bottom of bench.



2. Using bolts and washers removed in Step 1, attach legs with the skirt mounting holes toward the back of the bed as shown. Install center bolt first. You may have to gently push sides of legs in to align holes. Tighten with allen wrench.



3. Turn bench right side up on floor. Place so that power cord connector is facing toward wall outlet.

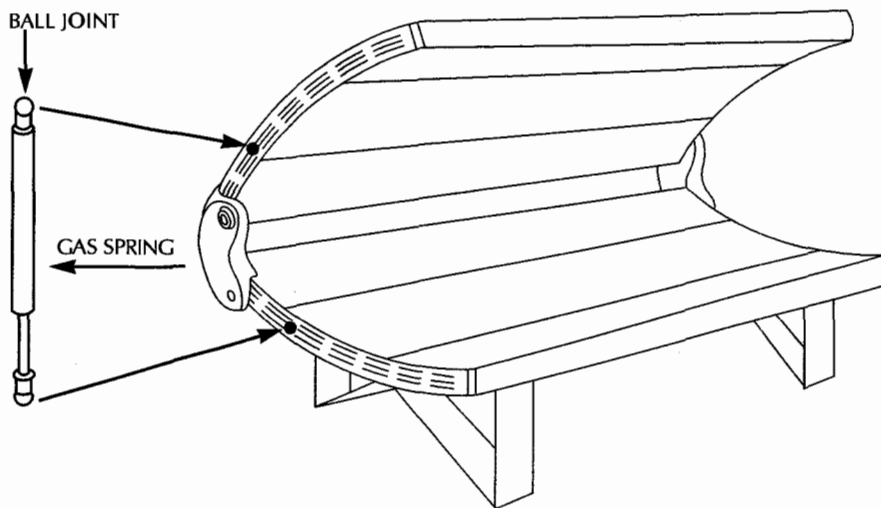




## Attaching Gas Springs

Attach the gas springs (located in canopy box) between the canopy and the bench as shown below. You will need another person to help you lift the canopy.

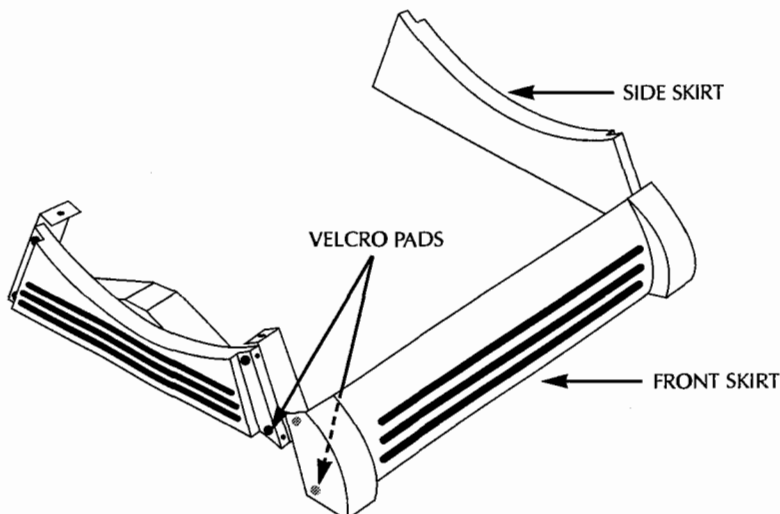
1. With a helper holding the canopy open, align open ends of gas spring ball joints with pivot studs and push into place. Be sure spring cylinder is in up position as shown. Repeat on other side. **DO NOT** lower canopy until both gas springs are installed!



## Assembling Pedestal

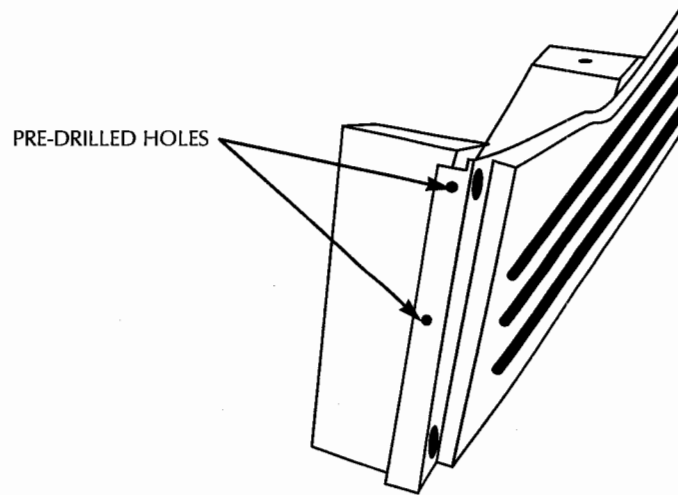
Attach the base skirt to the sunbed as shown below.

1. Position the side skirts at either end of the base, with the velcro pads toward the front of the sunbed. Snap the front skirt over the end skirts, attaching the velcro pads.





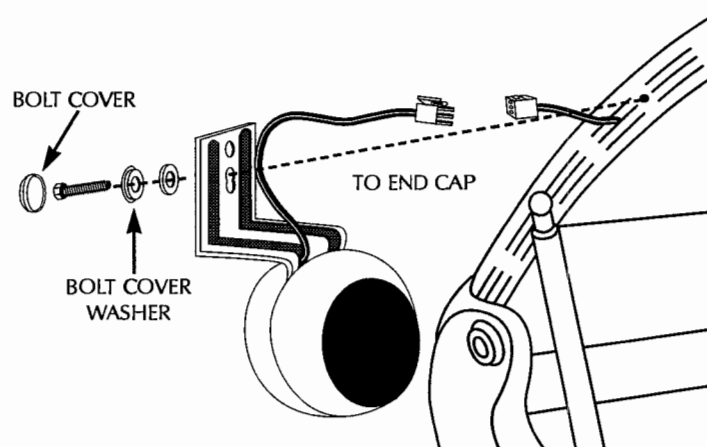
2. Install two #8 x 1/2" screws through the pre-drilled holes of the side skirt into the back of the leg support. Repeat for the other skirt.



### Attaching Body Fan

The SUNVISION Pro 30 series sunbed comes with a body fan. Attach the body fan as follows:

1. Remove the pre-installed bolt and washers from the center of the canopy foot end endcap.
2. Install the body fan using the removed bolt and washers as shown. Tighten the bolt until seated then an additional half turn. Snap the bolt cover provided with the body fan over the bolt cover washer.
3. Connect the body fan electrical plug to the provided sunbed connector.



# Operation



## Before You Tan

Before using your sunbed, please note the following important precautions:

- Your skin should be free of cosmetics, tanning oils, or other body lotions prior to tanning except for those specifically made for use with tanning devices. However, do not remove natural body oils by bathing or showering immediately before tanning.
- Your hair should be free of gels, mousses, sprays, or other hair products prior to tanning. These products can cause damage to the sunbed acrylic. As an alternative, a shower cap or towel can be worn to keep treated hair away from the sunbed surfaces.
- Some medication may **increase your sensitivity** to ultraviolet light. It is recommended that you consult a physician before using this sunbed if taking any medication or if you suspect that your skin might be especially sensitive to sunlight. Included with this manual is an FDA booklet on medications that increase sensitivity to light.
- As with all electrical appliances, **do not operate this device near water or while you are wet.**

## Exposure Times

We recommend that you tan every other day, following the tanning times in the exposure schedule. Tanning normally appears after the first few sessions and maximizes after approximately four weeks. Tan once or twice per week thereafter to maintain appearance. Persons already having a base tan may begin at advanced levels corresponding to the extent of their base tan.

Follow the guidelines for skin type and exposure times as shown in the table below.

RECOMMENDED EXPOSURE TIMES IN MINUTES		MAXIMUM EXPOSURE TIME IS 20 MINUTES				
Skin Type:	Week # Session #	Week 1 1st-3rd	Week 2 4th-6th	Week 3 7th-10th	Week 4 11th-13th	Subsequent Maximum
I Sensitive Skin (Burns easily and severely and does not tan.)		NOT RECOMMENDED FOR TANNING				
II Light (Burns easily and severely and tans minimally.)		4	8	12	16	20
III Normal (Burns moderately and tans average.)		6	10	15	20	20
IV Dark (Burns minimally, tans easily and above average.)		8	12	16	20	20



# Care & Maintenance

---

## Cleaning After Use

Clean and disinfect your tanning bed's bench and canopy after each use. Use a non-abrasive disinfectant cleaner that **does not contain ammonia or ammonia derivatives**. Ammonia may damage the acrylic shield. Spray the acrylic lightly with disinfectant and wipe dry with a clean soft cloth. We recommend *SunQuest* disinfectant and *SunQuest* acrylic cleaner.

## Thorough Periodic Cleaning

### Introduction

The cooling fans draw air through the bed and over time will cause a dust buildup on the lamps and reflectors. This will reduce the tanning effectiveness of the bed. When a dust buildup is observed, it is necessary to thoroughly clean the inside of the bench and canopy. **Warning!** Disconnect sunbed from electrical power before cleaning.

### Cleaning the Canopy and Bench

- Step 1.** Remove the acrylic shields and lamps as described on page 14.
- Step 2.** With a soft cloth, wipe the entire length of each lamp to remove any film build-up.
- Step 3.** Clean both sides of the acrylic shields with a non-ammonia disinfectant cleaner.
- Step 4.** Wipe the reflectors with a clean damp cloth.
- Step 5.** Re-install the lamps and acrylic shields as described on pages 14-15.

## Mechanical Inspection

Your tanning bed has been built for years of service. To ensure trouble free operation throughout its life, inspect the unit's mechanical integrity every 400-500 hours of use.

- Inspect the unit's fasteners verifying that all are firmly in place. Pay particular attention to the hinge bolts.
- Inspect gas springs for signs of wear. Gas springs that will not steadily hold up the canopy should be immediately replaced.
- Inspect the timer as indicated in this manual under *Timer Maintenance*.
- Inspect the AC power cord and its connections.
- Inspect the acrylic. Broken, cracked or badly scratched acrylics should be immediately replaced.



### Removing/Replacing Lamps

After removing the acrylic shield, replace lamps as follows:

- Step 1.** Grasp the lamp at one end and at the middle, then turn the lamp a quarter turn. The lamp may then be gently removed from its holder.
- Step 2.** To re-install a lamp, insert the pins located on the ends of the lamp into the slots on top of the lamp holder and turn the lamp a quarter turn.

### Recommended Replacement Lamps

Do not use lamps other than those specified below. Doing so is a violation of Federal regulations and will void your warranty. These lamps have an average life of 800 hours of effective tanning use. Lamps used longer than that lose their effectiveness even though they will continue to light.

*Only the following lamp types have been certified for use in **SUNVISION** Solariums*

	Application	Lamp Model Number
<b>Pro 26LXF</b> <b>26LX2F</b> <b>30LXF</b> <b>30LX2F</b>	Canopy and Bench	Diamondsun S Wolff Model 71T12100W
	Facial Unit	Philips Model HPA 400/30s Cosmo Tech Model 23045 Cosmo Tech Model 20046

*Only the following lamp types have been certified for use in **SUNVISION** Solariums*

	Application	Lamp Model Number
<b>Pro 26LXT</b>	Canopy and Bench	Diamondsun S Wolff Model 71T12100W
	Turbo Face Tanner	Turbo Sun S Wolff Model F8-T5-10W

*Only the following lamp types have been certified for use in **SUNVISION** Solariums*

	Application	Lamp Model Number
<b>Pro 26LX</b> <b>30LX</b>	Canopy and Bench	Diamondsun S Wolff Model 71T12100W



## Timer Maintenance

Your *SUNVISION* sunbed is equipped with a backup shut-off timer which will automatically turn off the sunbed in the unlikely event of a malfunction of the primary timer. This important safety feature also prevents the user from re-setting the timer before the end of the pre-set maximum time interval. The electronic timer limiting circuit is automatically reset each time the primary timer is turned to the OFF position.

Annually, or whenever your sunbed is re-lamped, check the operation and accuracy of the timer system as follows. DO NOT perform these tests with a person in the sunbed.

- Step 1.** Obtain an accurate watch capable of measuring in seconds. Set the timer to its maximum interval. Using the watch, time how long the lamps remain on. The lamps should shut off within plus or minus 10% of the maximum timer interval.
  
- Step 2.** Set the timer to the maximum time interval. Wait ten minutes, then turn the knob back to the maximum time position. The electronic time limiting circuit should turn the lamps off at an elapsed time equal to approximately 10% beyond the maximum timer interval, even though the primary timer continues to show time left.

Call ETS Customer Service if your timer does not operate properly, or if you experience difficulty with these tests.

# Obtaining Service

---



To arrange for service, or for more information about your sunbed,  
contact ETS as follows:

**CALL FOR SERVICE OR QUESTIONS:**

**1 • 800 • 228 • 6292**



**6270 Corporate Drive  
Indianapolis, IN 46278-2900**

Have the following information ready when calling ETS  
to order parts or service for your bed:

Date Purchased \_\_\_\_\_

Canopy Serial Number \_\_\_\_\_

Bench Serial Number \_\_\_\_\_

Manufactured for SUNVISION by:  
Spectrum Products, Inc.  
6220 Churchman Bypass  
Indianapolis, Indiana 46203