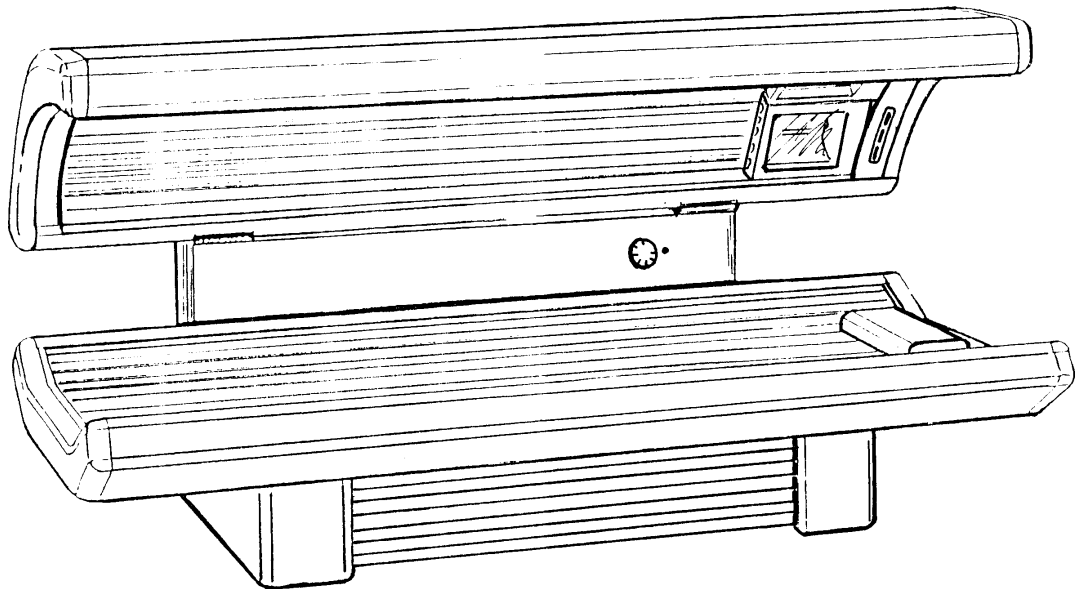


INSTRUCTIONS FOR ASSEMBLY AND USE
FOR UVA SUNBEDS
TYPES 24/2; 28/2; 30/3



WARNING:

● Read the instructions booklet before using this product. ● When using a folding combination machine with bench and canopy, lie down on the bench and pull the canopy down until it will move no further. When using a canopy only, lie down and pull the canopy down as far as the stand will allow. ● Operation of this device closer to the body than the recommended minimum distance for use may result in overexposure. ● Recommended eyewear: Provided eyeshields (Intexco Nr. 5635/1s) or equivalent eyewear as defined under 21 CFR 1040.20 2(b) (6).

One pair of protective eyewear is furnished with this equipment and should be worn by all persons in the room when lamps are on. Disconnect power cord before attempting to clean, replace lamps or engage in the maintenance of this product. THE FOLLOWING LAMPS HAVE BEEN CERTIFIED FOR USE IN THIS EQUIPMENT: **COSMOLUX RCS, PHILIPS HPA 400/30 S** or compatible types.

THIS PRODUCT CONFORMS WITH PERFORMANCE STANDARDS FOR SUN LAMP PRODUCTS UNDER 21 CFR PART 1040.20

DANGER

Ultraviolet radiation. Follow instructions. Avoid overexposure. As with natural sunlight, overexposure can cause eye and skin injury and allergic reactions. Repeated exposure may cause premature aging of the skin and skin cancer. WEAR PROTECTIVE EYEWEAR; FAILURE TO DO SO MAY RESULT IN SEVERE BURNS OR LONG-TERM INJURY TO THE EYES.

Medication or cosmetics may increase your sensitivity to the ultraviolet radiation. Consult physician before using sunlamp if you are using medications or have a history of skin problems or believe yourself especially sensitive to sunlight. If you do not tan in the sun, you are unlikely to tan from the use of this product. Minimum use distance is 1 inch or 2.54 centimeter. Tanning may appear after one application provided that your skin is capable of developing a suntan. Allow 48 hours between sessions to obtain a base tan, once or twice per week to maintain appearance.

IMPORTANT

- The sunbed is intended for permanent connection or connection by means of a NEMA L630P plug or equivalent. The connection lead be Type SJT or equivalent 3 x AWG 8 cable with a 25 ft. maximum length.
- Before any job is carried out on the sunbed (such as replacement of a lamp or starter, or cleaning), the unit must, as a matter of principle, be disconnected from the mains by pulling out the mains plug and/or isolated by means of the isolating device.
- Repairs to the sunbed should only be carried out by a locally approved electrician, or by the manufacturer's service engineer.
- The sunbed may only be installed in a dry area shielded from splashing or dripping water. A relative humidity of 70 % and a room temperature of 28°C must not be exceeded. A higher room temperature will also mean a higher temperature on the bed and/or under the canopy.
- Air intake slots and hot air outlets on the cooling fans must not be covered, otherwise overheating of the unit will occur.
- In case of failure of the cooling fan (causing abnormal warming of the unit), switch the unit off immediately.
- Certain materials (e. g. paintings) which fade when exposed to sunlight should not be exposed to UV light from the sunbed unit for extended periods.
- In new sunbeds, it is possible that tubes may flicker or moving shadow effects may appear. The tanning function of the sunbed will not be affected. Slight blackening may also appear at the ends of the tubes, but this will have no effect on the function of the unit, or the life of the tubes.
- Children do not realise the dangers which can occur in the use of electrical appliances. Therefore, children must never be allowed to operate electrical appliances without supervision.
- This unit is not designed for medical purposes.
- The sunbed is allowed to use only by one person at the same time.

Some facts about tanning

The light radiated from the units has an optimum composition. The special lamps yield a particularly high proportion of mild UV "A" tanning radiation. This prevents sunburn while at the same time inducing tanning in an extremely short time.

The sunbed can only develop its full tanning potential if normal conditions for tanning in the sun are met. Persons who do not tan in natural sunlight are unlikely to tan from the use of this product.

The sunbed can only develop its full tanning potential if normal conditions for tanning in the sun are met. Persons who do not tan in natural sunlight will not be affected by the radiation from the sunbed either.

Special instructions

for units with built-in high-pressure lamp for facial tan

With the built-in facial tan facility, the higher radiated power gives a much better tan than can be obtained from the standard UVA tubes. Because of this increased power, there is intensive tanning of the facial skin, which, even in natural sunshine, browns more slowly than other parts of the body.

The facial tan can be switched on and off by the rocker switch in the control panel (ON : * /OFF : 0).

Exposure tips

UV appliances are not to be used by those persons who when exposed to sunlight get sunburn without their skin turning brown (skin type I), or who are prone to sunburn, or by children under 16, or by persons who have suffered from skin cancer or are susceptible to it..

The distance from the radiation source is a built-in feature of the construction of the unit, and must not be reduced under any circumstances.

Follow the recommendations regarding exposure times and intervals.

Don't use the sunbed if the time switch is faulty, or the filter glass is broken.

Ultraviolet radiation whether from the sun or from UV appliances can cause skin or eye injury. Such biological effects depend on the nature and amount of the radiation and also on the sensitivity of the skin of the individual user.

After excessive exposure, the skin may show signs of sunburn. Excessively frequent ultraviolet radiation by sunlight or UV appliances may cause premature ageing of the skin, and also increased risk of skin tumours.

If the eyes are unprotected their surface may become inflamed, and excessive exposure may damage the retina in certain cases. After many repeated exposures, grey cataract may develop.

In cases where individuals have particular sensitivity to ultraviolet radiation, and where certain medications or cosmetics are used, special care is necessary.

The following precautions must therefore be taken:

- always use the goggles supplied;
- remove cosmetics in good time before exposure, and do not use sun protection products of any kind;
- don't use the sunbed if you are taking medications which increase the sensitivity of the skin to ultraviolet radiation; in case of doubt, ask your doctor;
- always skip a day between two exposures; don't have an extra sunbath on the same day;
- observe the recommendations regarding exposure times, intervals and distances;
- if persistent swellings, sores, or pigmented liver spots form on the skin, consult your doctor.

Exposure times

RECOMMENDED EXPOSURE SCHEDULE		MAXIMUM EXPOSURE TIMES (IN MINUTES)			
CLASS:	SKIN TYPES:	week 1	week 2	week 3	MAX
I	Sensitive Skin (Burns easily and severely, and does not tan.)	TANNING NOT ADVISED			
II	Light Skin (Burns easily and severely, and tans minimally.)	4	6	8	10
III	Normal Skin (Burns moderately, and tans moderately.)	6	8	11	15
IV	Dark Skin (Burns minimally, and tans well or above.)	9	11	15	20

An exposure programme for your sunbed has been established to match the various skin types and the radiation sources fitted to your sunbed, in accordance with the guidelines of 21 CFR 1040.20. This exposure programme is appended to these instructions as a supplementary sheet, and is also displayed on a sticker on your sunbed unit. The recommended initial exposure time and maximum exposure time must not be exceeded.

Exposure distance

The exposure distance is a built-in feature of the construction of the unit, and must not be reduced under any circumstances.

After exposure

It is advisable to apply a skin lotion after exposure.

Spares

The operating life of the UVA low-pressure tubes and facial lamp is approx. 500-800 hours. Original spares must be used when replacing these.

The type designations of the UVA low-pressure tubes, facial lamp* and filter plates* (* if fitted) are given on a sticker (located at the rear right of the unit near the power cable).

These spares can be ordered from your after-sales service centre or dealer, quoting the appliance Art. No. (shown on the type rating plate).

THE FOLLOWING LAMPS HAVE BEEN CERTIFIED FOR USE IN THIS EQUIPMENT.

Canopy	HPA 400/30S	Philips
Canopy	RCS (CXA 1-15-100 W)	Cosmolux
Canopy	RCS (CXA 1-15-80 W)	Cosmolux
Bed	RCS (CXA 1-15-100 W)	Cosmolux

THIS PRODUCT CONFORMS WITH PERFORMANCE STANDARDS FOR SUN LAMP PRODUCTS UNDER 21 CFR PART 1040.20

Important Notice

Please read carefully the following important information

The electrical requirements for all 220 Volt combinations are:

220 Volt dedicated circuit

40 Amp receptacle

40 Amp rated breaker

Operating any 220 Volt combination at voltage levels below 220 or above 240 constitutes an automatic nullification of the warranty, as it could damage to the unit's system.

Please insure that your electrician and / or installer reads this information prior to delivery and setup. Using a digital volt meter, he or she must first determine the exact line voltage being delivered to the receptacle. If the line voltage is not within the specified range, employment of a buck-boost transformer will be requested to regulate it. Please contact your authorized DR. KERN dealer for pricing and availability on buck-boost transformers.

Assembly / equipment options

Assembly of your new sunbed is straightforward provided you observe the following instructions in the correct sequence.

Note, that depended on customer requirements, the construction of the units may vary in the pedestal area. The following equipment options are possible in this regard:

Sunbed with no screens between the solarium bases

Sunbed with front base-screen

Sunbed with pedestal screening

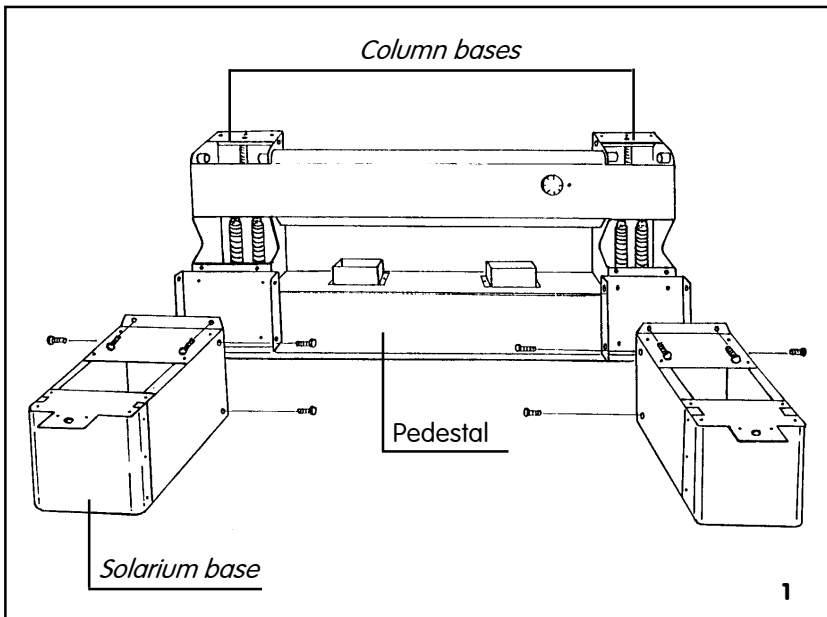
Sunbed with pedestal grille

Assembling the sunbed

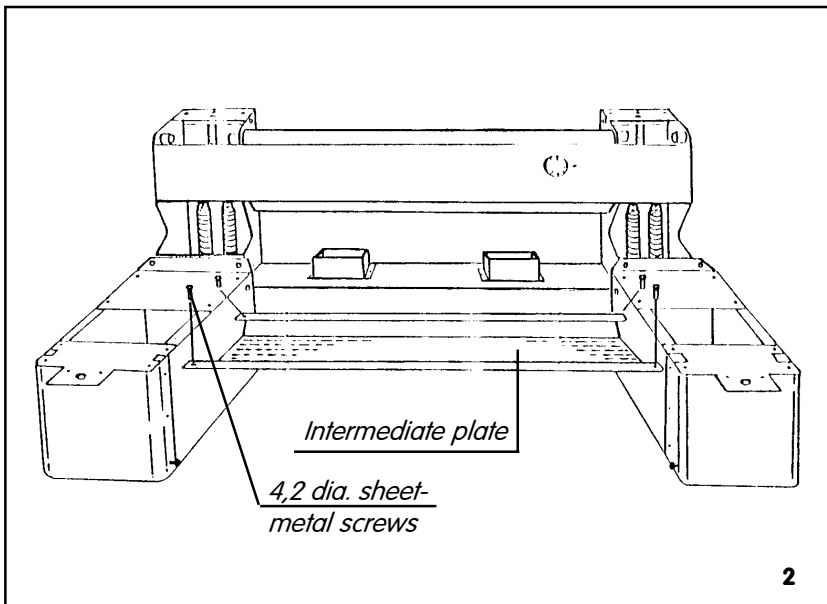
Pedestal assembly

Irrespective of the equipment option which you have ordered, assembly of the pedestal proceeds as follows.

Position the pre-assembled pedestal and the two individual solarium bases as shown in Fig. 1 centrally at the location assigned to the sunbed. The solarium bases must now be screwed to the pedestal, using 12 of the screws supplied.



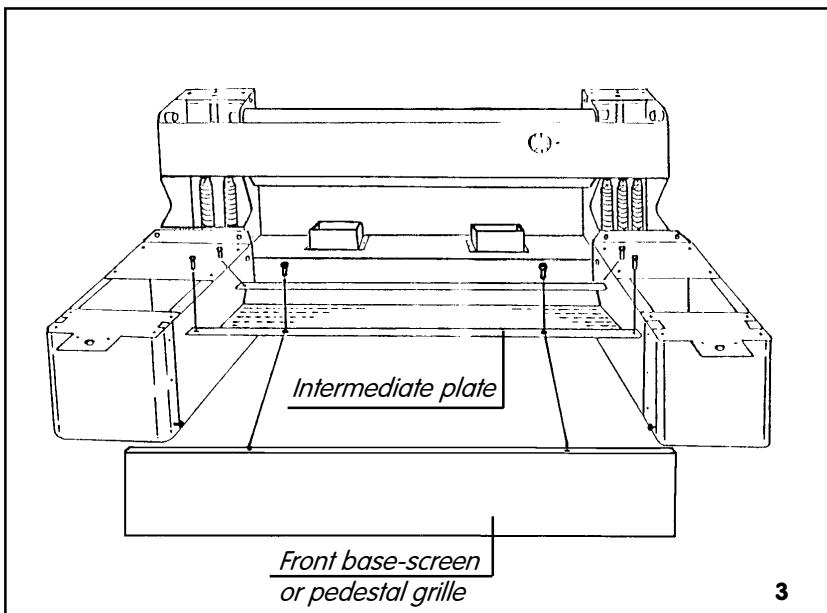
Then attach the intermediate plate supplied, as illustrated in Fig. 2, to the solarium bases, using four of the 4.2 dia. x 9.5 sheet-metal screws supplied.



Sunbed with front base-screen or pedestal grille

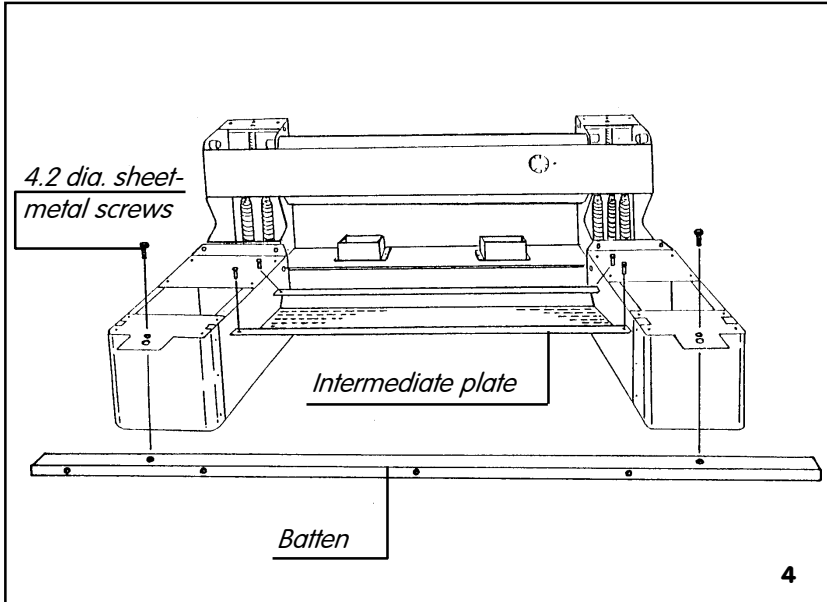
On the inside of each of the solarium bases, low down and towards the front, you will find a hole. Into this hole, at either side, screw in a sheet-metal screw until a gap of 3-4 mm is left between the sheet-metal and the screw head.

Slots are provided at lower left and lower right on the base-screen or pedestal grille. Holding the base-screen at a slight angle, insert it between the solarium bases from above. The lateral slots will slide onto the previously inserted sheet-metal screws. Now screw the base-screen to the intermediate plate with two further sheet-metal screws.



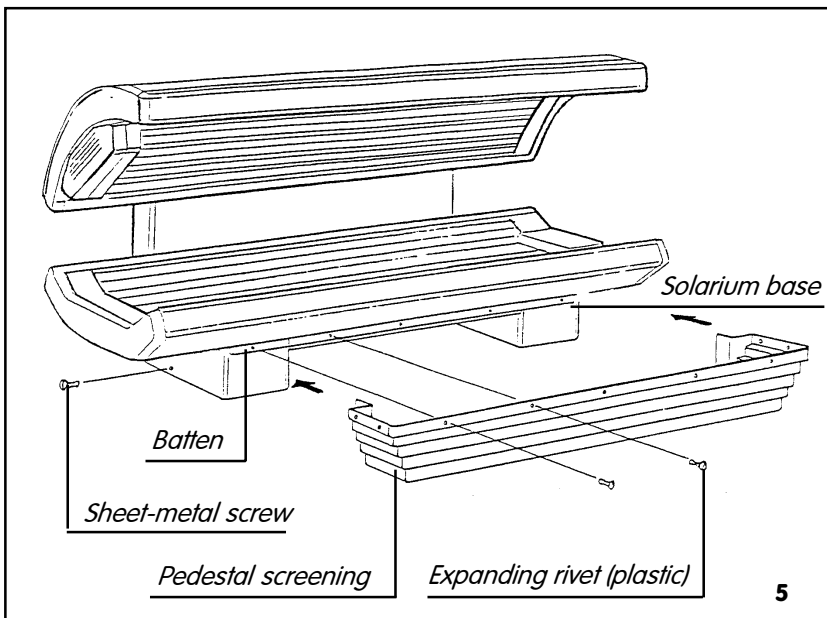
Sunbed with pedestal screening

For subsequent attachment of the pedestal screening the batten piece must be fixed to the front of the solarim bases, as shown in Fig. 4, using four 4.2 dia x 9.5 sheet-metal screws.



The actual pedestal screening is not fitted until the unit has been fully assembled, with bed and canopy fitted.

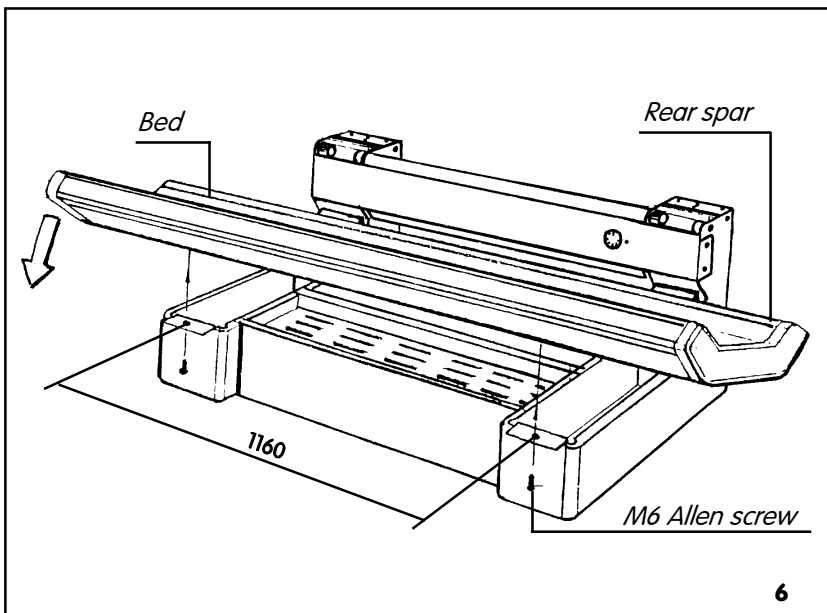
Push the pedestal screening under the bed from the front. The screening is positioned correctly when the top edge of the screening contacts the batten. Press the plastic expanding rivets supplied into the holes which can be seen at the upper edge of the screening. Use two of the sheet-metal screws supplied to secure at bottom right and left.

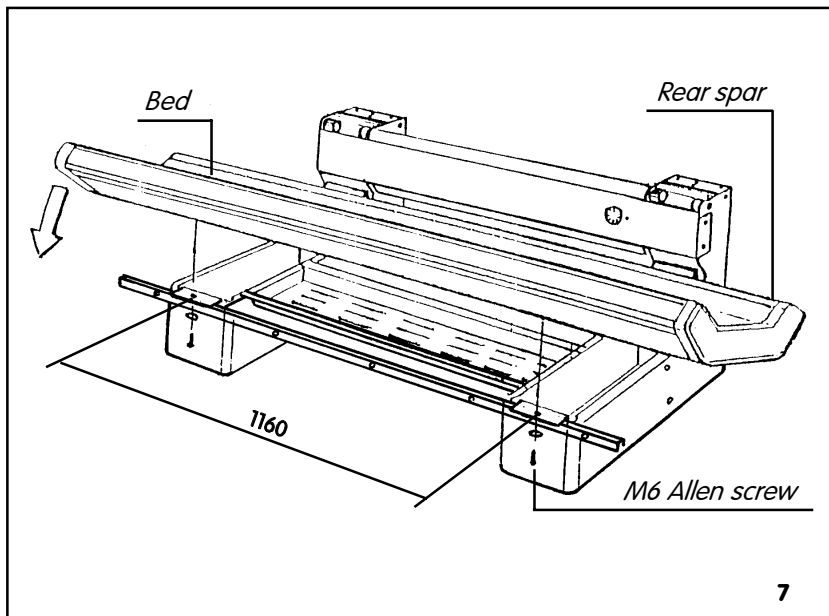


Bed assembly

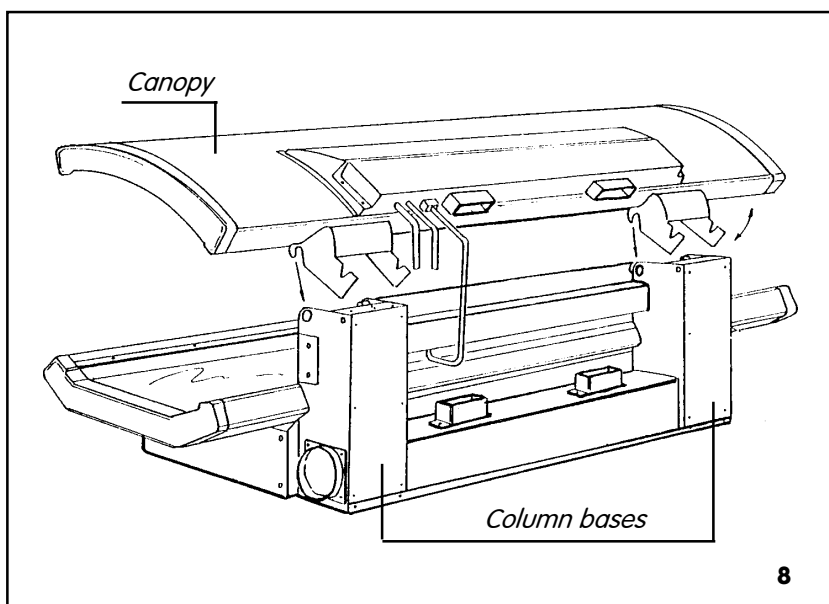
The bed unit is packed lamp side down. On the upper side, i.e. in the back wall, you will see the fan, and two screwed holes for later attachment of the bed to the bases. The distance between these two screwed holes is 1160 mm, corresponding to the distance between centres of the bases. In the rear spar you will see two large rectangular openings.

The bed assembly procedure which will now be described is the same irrespective of the type of unit.





The bed must now be lifted by two persons, lamp side uppermost, so that the spar with the openings points to the rear. Guide the tabs projecting from the openings into the rectangular openings in the column bases and then lay the bed - while still pressing it gently towards the rear - on the bases. Then screw the bed to the bases with the M6 screws.



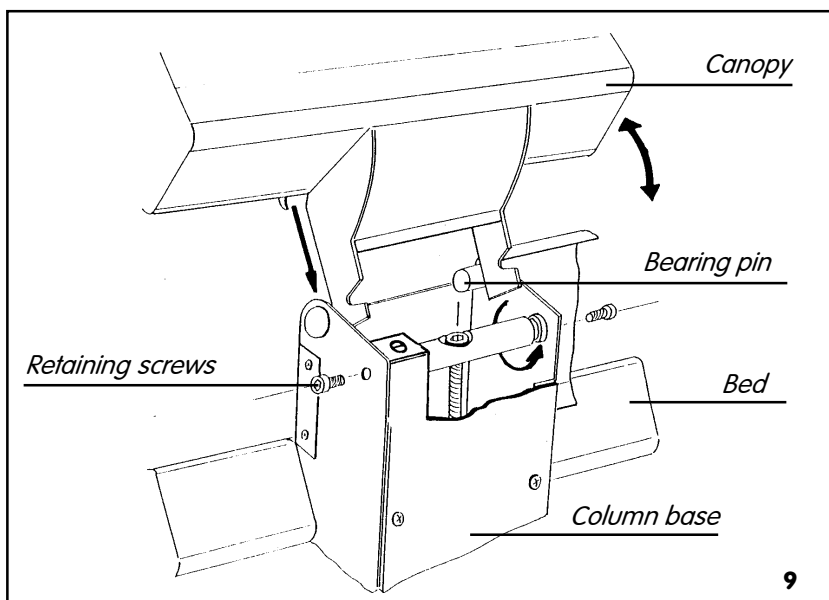
Canopy assembly

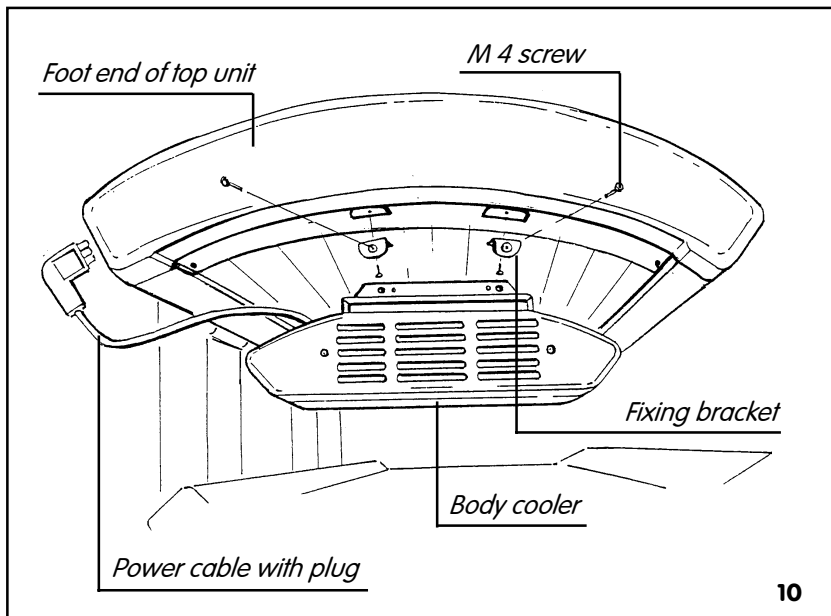
The method of assembling the canopy is the same for all types of unit. The sequence of assembly is as described below.

Note that your sunbed is not fitted with the gas-filled cylinder type springs which are often used, but with a metal spring system. This spring system is located in the rear column bases. Looking down into these columns from above, you will see the pretensioned springs and, right at the top, and partly hidden from view, a rod which is secured with screws at either end. **These screws must not be removed until after the top unit has been mounted (hung).**

Near the front of each column, you will also see two bearing pins. On the rear spar of the top unit, you will find the "hangers" which have jaw-like openings. On assembly of the top unit these jaws must engage with the bearing pins in the columns. To assemble the top unit, it must now be lifted by two persons as shown in Fig. 8, and the hangers inserted into the column openings from above. The hanger jaws will automatically slide over the bearing pins. While one person keeps the top unit raised by supporting it at the front, make sure that the hangers are properly supported on the bearing pins. The top unit can then be gently lowered into the operating position. This will cause the rear arms of the hangers to pivot under the bar to which the springs are attached.

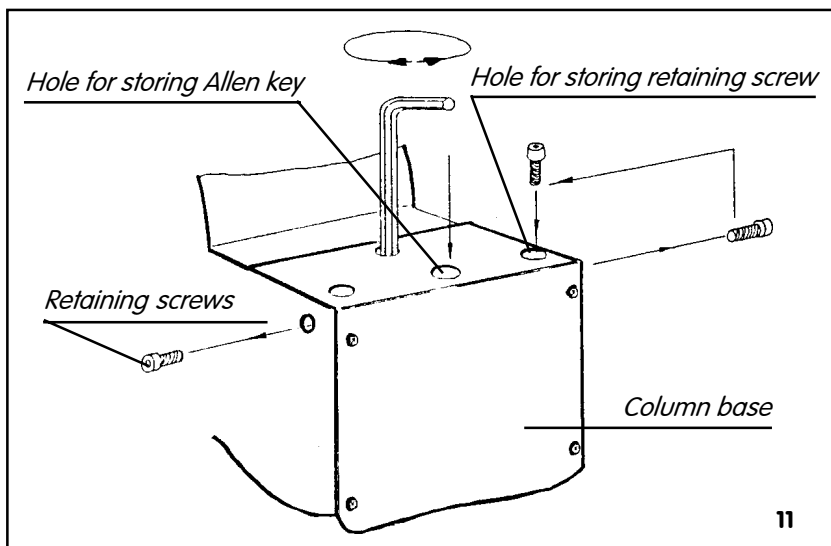
In this position, i.e. with top unit lowered, the lateral retaining screws can, and must, be unscrewed.





Body cooler

Depending on customer requirements it may be necessary to mount a body cooler fan on the sunbed. This is done by attaching the small angle brackets supplied with the body cooler to the foot end of the top unit, as shown in Fig. 10, by means of the M4 screws. The body cooler fan is then screwed to these angles. Insert the plug on the power cable in the plug socket in the rear spar of the top unit. Within certain limits the body fan can be tilted, enabling you to control the direction of the air flow when in use.

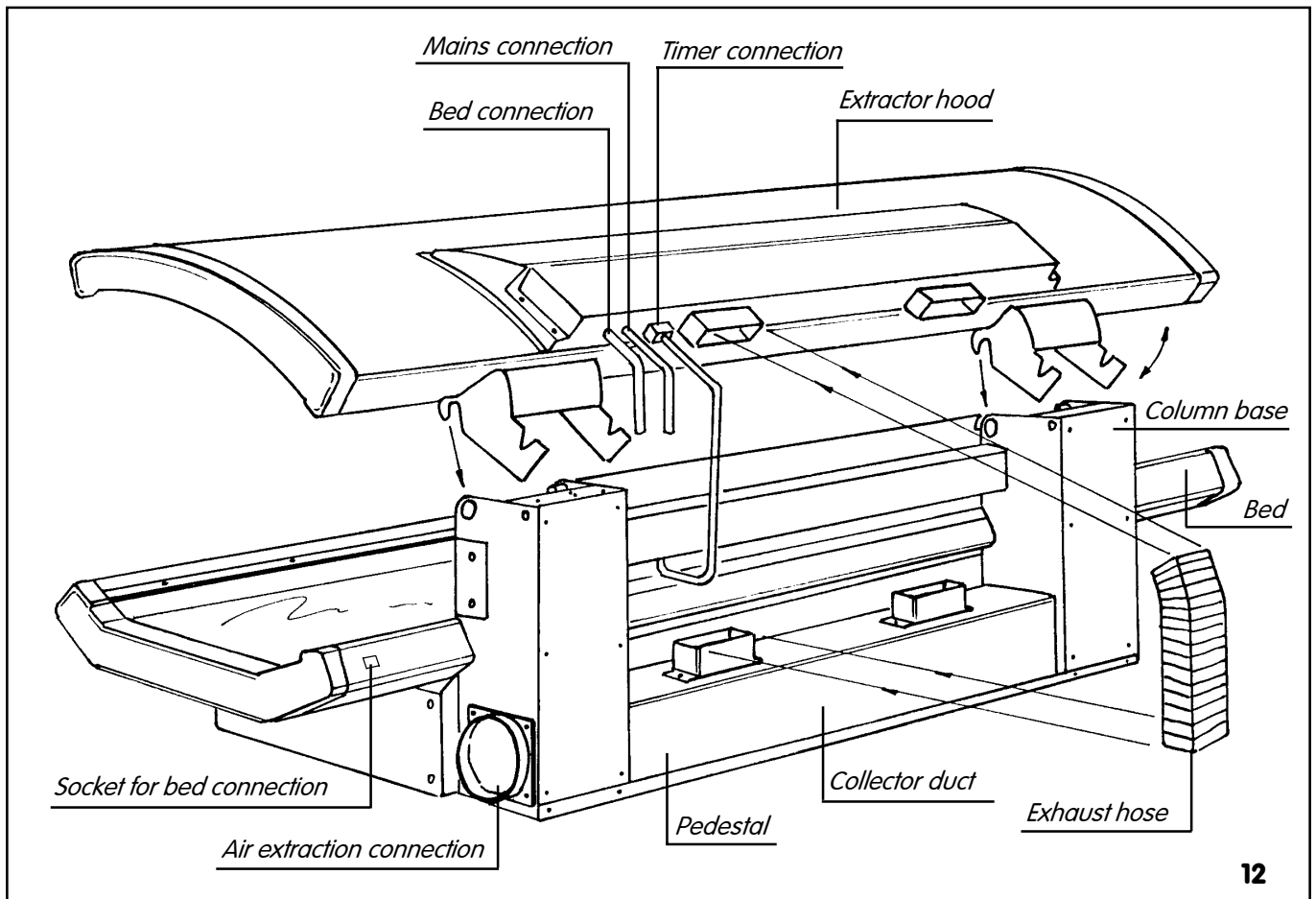


Tension spring adjustment

An easy pivoting motion of the top unit can now be set by "tensioning" the springs. However, as the springs have already been prefensioned at the factory, first try raising the top unit and lowering it again. If the top unit stays raised and stays lowered, the setting is correct. If the top unit tends to sink, the springs need more tensioning. To do this, lower the top unit and adjust the springs as shown in Fig. 11, using the Allen key supplied.

Turning the key to the right will increase the tension of the springs. Turning to the left will reduce the tension of the springs. Adjust the springs equally at both columns. Keep testing to check whether the spring adjustment is sufficient. Spring adjustment is sufficient when the top unit will stay in raised and lowered positions and can be very easily raised and lowered.

The Allen key and retaining screws can be kept in the holes in the column cover (visible from above).



12

Electrical connection

Your sunbed is intended for connection to 220V 60 Hz single phase supply. Connection to the power supply may only be carried out by a locally approved electrician, either as a permanent connection or by CEE plug and socket connection, in compliance with the regulations of the VDE and of the local electricity supply undertaking. In any case, a device must be provided whereby the unit can be isolated from the mains with a contact opening gap of at least 3 mm on all poles. Suitable isolating devices are LS switches, fuses and contactors.

After the mains connection has been carried out, insert the white four-pin plug into the socket on the rear spar of the bed, and the black five-pin plug into the socket located on the back of the top unit, next to the power cable. The sunbed is ready for operation.

Central ventilation system

Your sunbed is prepared for connection to a central air extraction system. For this purpose, two rectangular hoses approx. 70 cm long are supplied with the sunbed. Use these to connect the upper air extraction nozzles to the nozzles on the lower collector duct, as shown in Fig. 12. The exhaust air can be removed from this collector duct by means of a hose of 150 mm nominal internal diameter which can be optionally run from the left hand or right hand end.

Sunbed cooling

The cooling system fitted to your new sunbed is the most effective system for appliances of this kind. Because of the powerful air circulation, entrainment of dust etc. cannot be ruled out. Such contamination, some of which may be deposited in the sunbed and on the fans, may impair the cooling of the unit. The unit should therefore be cleaned, as the need arises or at regular intervals. Also, remember that warm air will be less effective than cold air in cooling lamps which are at a given operating temperature. Therefore always make sure that your sunbathing room is well ventilated.


Operation - starting

Select the desired sunbathe time by means of the rotary timer knob. On expiry of this time, the tubes and the facial tan lamps are switched off automatically. The fans will continue running for about another 2 or 3 minutes to cool the unit, and are then also switched off automatically.

Selector switch

The selector switch is used for selecting the following functions:


 Facial tan

 Body cooler

UV Tanning tubes

These functions can be stopped by switching to "0", although the time switch, or coin-operated timer (if fitted) will then continue running until they reach "0", or "OFF" as the case may be.

Facial tan

The desired tanning time is preselected by means of the time switch or coin-operated timer, and the facial tan lamps are optionally switched on  or off ("0") by means of the rocker switch. Full tanning power is attained by the facial tan lamps after a warm-up time of approx. 3 minutes.

If switched off and immediately switched on again, the lamps do not light up again until after a time of approx. 3 minutes. When the preset time has run out, switch the rocker switch to "0".

Changing lamps and starters

As is the case for all maintenance operations, the sunbed must be disconnected from the power supply. For lamp and starter replacement, the acrylic panel must be removed from the top unit or bed. In the case of the bed it is removed by undoing the fixing screws in the front retaining strip and by withdrawing the retaining strip and acrylic panel forwards.

In the top unit, the acrylic panel is fitted under tension. It is removed by pushing the middle of the panel inwards slightly with one hand and drawing it from the rest on the front spar with the other hand (if necessary with the aid of a small screwdriver).

The acrylic glass panels should be regularly cleaned inside and out. Only solvent-free non-corrosive household cleaning products should be used.

To insert the panel, the long rear edge of the panel is inserted into the rear retaining strip and gentle pressure is applied to the middle of the panel. This "flexing" of the panel will enable it to snap back into the front spar.

To prevent possible injury to health, original lamps (see stamp mark at the end of the tube) must be used when replacing lamps. These can be obtained from your dealer.

Twist each lamp until the contact pins at the end of the lamp become visible in the slots in the holder.

Fit new lamp by inserting the contact pins at both ends into the holder slots simultaneously, and then rotating the lamp approx. 90 degrees..

Whenever a tube is replaced, the corresponding starter should be renewed as well. The starter is removed by applying gentle pressure and turning it to the left.

Press the new starter gently into the holder and twist it to the right until fully "home".

Servicing the facial tan unit

The lamp in the facial tan unit must likewise be serviced at regular intervals. The filter plate holder must first be removed by undoing the screw which can be seen between the plate holder and the lamp holders. The filter/safety plates can be removed from their holders for cleaning. When reinserting the plates, always make sure that the blue filter plate is on top, that is facing the tanning lamp.

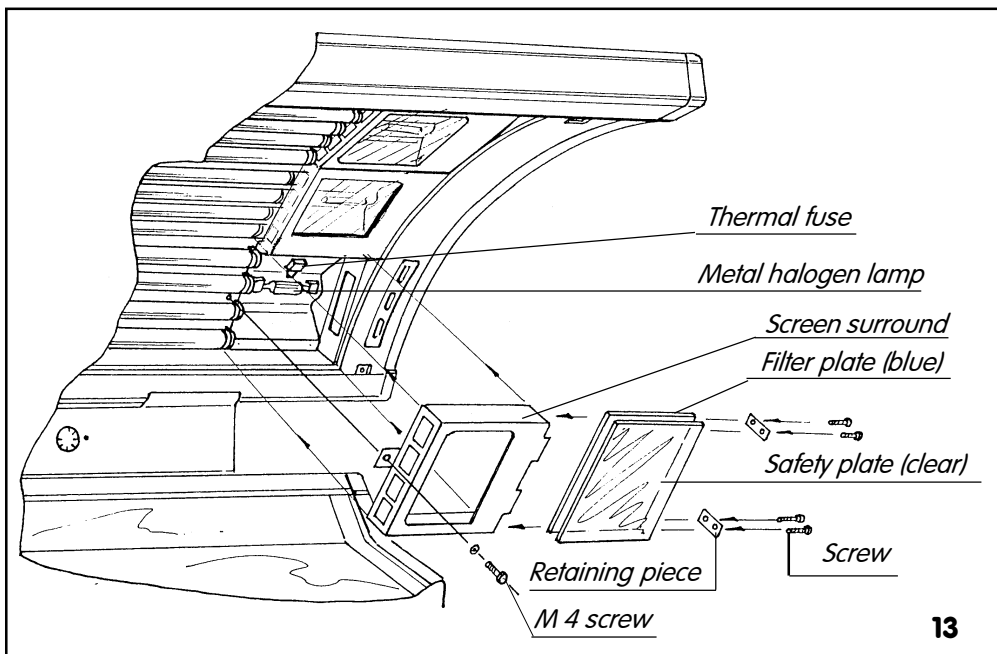
To replace the metal halogen lamp, it should be held by the flat part at one end, pushed a little way in the longitudinal direction, and removed from the holder. The new lamp is inserted in a similar manner.

Take care not to touch the glass bulb; however, if smudges have occurred in handling, the lamp must be cleaned with pure alcohol or spirit.

The facial tan lamp becomes very hot in normal operation and therefore has to be cooled by mean of a fan. In addition, the lamp is protected by a thermal fuse. If the temperature rises to an unacceptable level as a result of a breakdown of the fan or a loss of output (due to soiling or the like), this fuse interrupts the circuit of the facial tan lamp. As the interruption can only have been caused by a loss of cooling efficiency, the unit must be checked by an expert, or by the manufacturer's service engineer. In extremely rare cases, the cause of the interruption lies in the fuse. Under normal circumstances this must not be replaced.

Original spare parts must be used as replacements when carrying out any maintenance jobs.

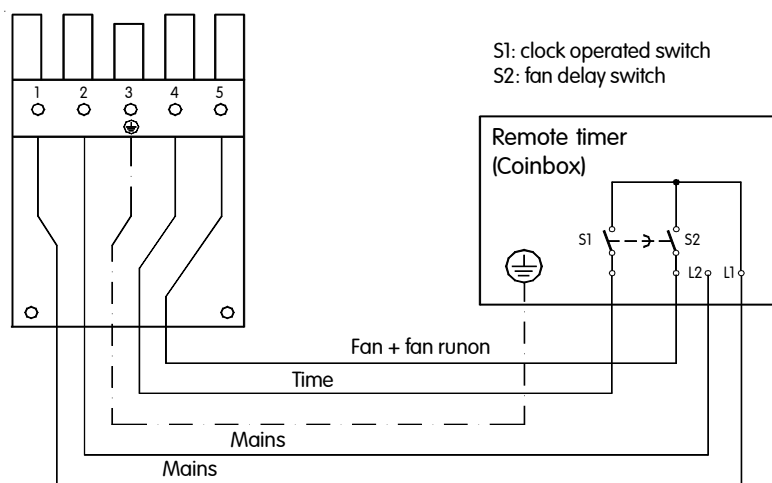
Don't use the facial tan if a filter plate is defective. If used with a defective filter plate, serious skin-inflamations will result.



Remote control

Your solarium can be easily connect to a remote timer. The timing device is connected to the black plug by a 5-wire connecting cable, instead of the standard time switch cable. This plug is located below the extractor hood near the mains connection (see fig. 12).

The connection of the remote switch is shown in the following diagramm. Use a cord type SP-1 or SPT-1 or heavier with a maximum length of 25 feet.



A 2 or 3-minute "Lag Relay" after-cooling timer should be connected in all commercially employed solaria. This function is standard on most remote timing devices developed for use in the indoor tanning industry, or can be ordered from your authorized distributor as an easy-to-install module.

Note: In accordance with the maximum exposure limit of 30 minutes, the maximum running time of the remote timer should not exceed 30 minutes. It is important to note that this job may only be carried out by a locally approved electrician.

Cleaning the acrylic panels

Owing to the powerful air circulation already described, it may happen that dust is deposited on the insides of the acrylic panels. This contamination may affect large areas of the panels, or may be confined to small areas. If such contamination occurs, the acrylic panel must be taken out and cleaned as described under lamp changing. **Use only solvent-free non-corrosive household cleaning products.** Such contamination may also occur on new equipment after a short time in operation, owing to the different static charge of the acrylic panel.

These cleaning operations are excluded from the guarantee.

Cleaning the sunbed

Before cleaning the sunbed, always switch off and unplug the sunbed, or if it is permanently connected to the mains, disconnect at the fusebox. To clean the sunbed, only a damp cloth should be used.

Trouble Shooting

Problem	Probable cause	Solution
Unit is activated but nothing happens	No power	Check properly connection of power supply and check circuit breakers located in the base.
Unit is activated but nothing happens	Timer clears after priming	Reprime the timer and try again
Unit is activated but nothing happens	Hour meter or coin box / remote	Check the connections to both - replace if defective timers do not work
Lamps do not light	Lamp not in socket	Turn lamp in socket until properly lamps illuminates
Lamps do not light	Lamp is defective	Replace lamp
Lamps do not light	Starter is defective	Replace starter
Facial tanner does not light	Face tanner switch turned to "OFF"	Turn face tanner switch to "ON"
Facial tanner does not light	Lamp is defective	Replace lamp

Warranty

OUR WARRANTY

All materials used in the construction of our solariums are fully replacement warrantied, for a period of two years, beginning on the date of installation. Lamps, starters, plastic end caps, and acrylic sheets are not included in our policy, as they are separately covered by the manufacturers from which we purchase them.

ELECTRICAL CODE APPROVAL

Solariums are ETL approved. Local electrical code inspection authorities should be referred to the respective labeling located on the back of each unit, next to the main power cable.

For warranty claims, replacement parts, replacement lamps and service, please contact your authorized distributor.

Service Address

DR. KERN GMBH

D-35759 Driedorf

Phone: 49 27 75 / 8 22 21 or 8 22 76

Fax: 49 27 75 / 8 24 55

e-Mail: DR.KERN@t-online.de

Internet: <http://www.dr-kern.de>