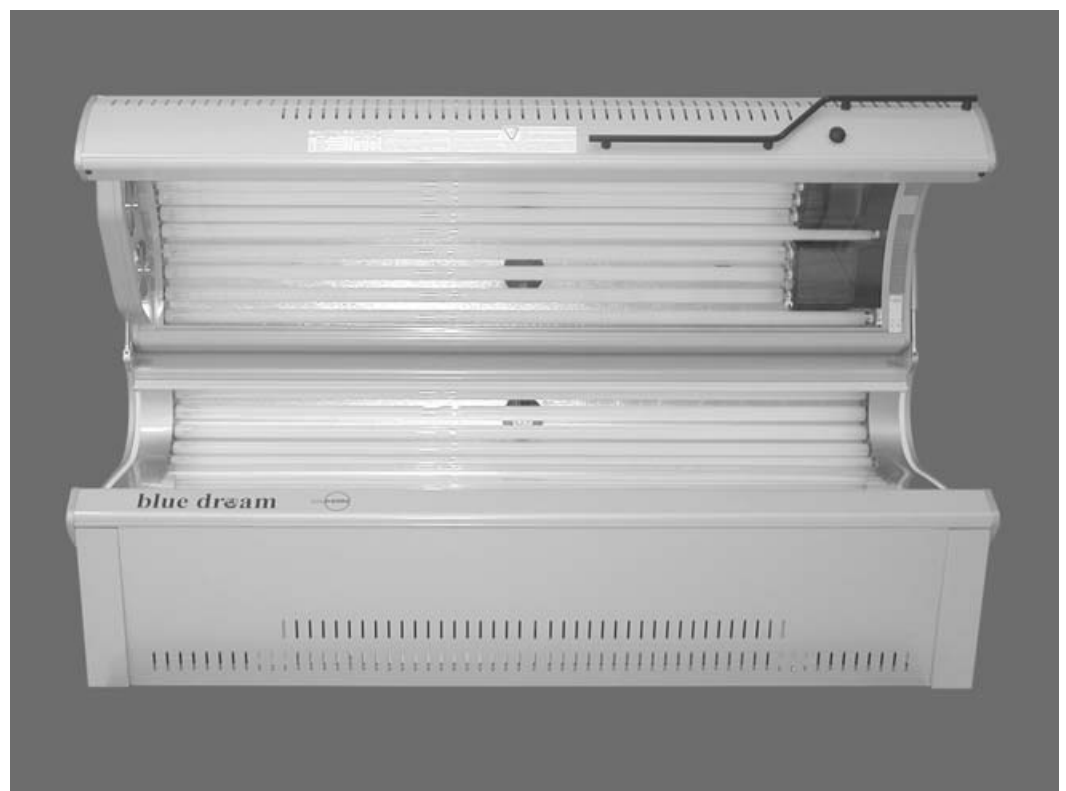


ASSEMBLY AND USER'S MANUAL FOR SOLARIUM
CX 320
CX 323
(with 2 m lamps)



WARNING:

● Read the instructions booklet before using this product. ● When using a folding combination machine with bench and canopy, lie down on the bench and pull the canopy down until it will move no further. When using a canopy only, lie down and pull the canopy down as far as the stand will allow. ● Operation of this device closer to the body than the recommended minimum distance for use may result in overexposure. ● Recommended eyewear: Provided eyeshields (Intrexco Nr. 5635/1s) or equivalent eyewear as defined under 21 CFR 1040.20 2(b) (6).

One pair of protective eyewear is furnished with this equipment and should be worn by all persons in the room when lamps are on. Disconnect power cord before attempting to clean, replace lamps or engage in the maintenance of this product. THE FOLLOWING LAMPS HAVE BEEN CERTIFIED FOR USE IN THIS EQUIPMENT: **DR. KERN VIVA Fun Power 120 W, ER 100 W and DR. KERN 400 W HP-Lamp (for appliances with facial tanners)** or compatible types.

THIS PRODUCT CONFORMS WITH PERFORMANCE STANDARDS FOR SUN LAMP PRODUCTS UNDER 21 CFR PART 1040.20

DANGER

Ultraviolet radiation. Follow instructions. Avoid overexposure. As with natural sunlight, overexposure can cause eye and skin injury and allergic reactions. Repeated exposure may cause premature aging of the skin and skin cancer. **WEAR PROTECTIVE EYEWEAR; FAILURE TO MAY RESULT IN SEVERE BURNS OR LONG-TERM INJURY TO THE EYES.**

Medication or cosmetics may increase your sensitivity to the ultraviolet radiation. Consult physician before using sunlamp if you are using medications or have a history of skin problems or believe yourself especially sensitive to sunlight. If you do not tan in the sun, you are unlikely to tan from the use of this product. Minimum use distance is 1 inch or 2.54 centimeter. Tanning may appear after one application provided that your skin is capable of developing a suntan. Allow 48 hours between sessions to obtain a base tan, once or twice per week to maintain appearance.

Important Notices

- This solarium is designed to permanently connected to a single phase 220 V 60 Hz power source.
- This solarium may only be used in a dry area, free of liquid spray or high humidity (below 70 %). The ambient temperature should not exceed 28 degrees Celsius (85 Degrees Fahrenheit), otherwise the surface temperature of the bench may become warm.
- To prevent overheating of the solarium, air intake vents and fan output areas must not be blocked.
- In the event of a ventilation fan failure, the solarium will operate warmer than normal, and should be shut down immediately to repair or replace the fan.
- Insure that the solarium is disconnected from the main power source when replacing lamps, starters, or acrylics, as well as during maintenance or cleaning.
- Electrical reparation may only be conducted by an authorized technician.
- The floor surface upon which the solarium is to be placed must have a support rating of at least 150 lb. per square foot. If the surface rating cannot be officially confirmed, Dr. Kern USA must be contacted for further instructions prior to installation.

- The solarium is operated with 220 V single phase. Only a power cord 3 x AWG 12 SJT or equivalent with a maximum length of 25 ft may be used.

Important Things to know before Tanning

The irradiance output of this solarium has been calibrated for optimum effectiveness. Only the highest quality reflector lamps and acrylic sheets are employed to provide the best possible tanning performance at maximum UV-transmission levels. The "Te / Tm" (Time to Erythema relative to Time to Melanogenesis) has been precisely formulated and expressed in the recommended maximum exposure schedule (MED), which should never be exceeded.

In both commercial and residential application, the user should consult his or her physician about indoor sun tanning and its effects on their condition before using this solarium. Persons taking prescription medications must always take care that such substances do not increase the level of sensitivity to UV light, and may not tan if any warnings are issued by their respective manufacturers or the prescribing physician.

Instructions on Tanning

Those persons who (1) do not tan in the natural sun or have type 1 skin (see warning label on unit), (2) are under 16 years of age - without written parental consent, and (3) are currently taking photo-sensitive medications or are afflicted with skin disorders or skin cancer, may not tan in this solarium.

The preset distance between the canopy and bench may not be altered for any reason.

Please read and observe the information outlined in the warning / danger labels and recommended exposure schedule.

Do not use this machine if any of the face tanning filter glasses is cracked or broken.

Overexposure of ultraviolet-radiation from the sun and this machine can cause sunburn, as well as damage to unprotected eyes.

Unusually frequent exposure to ultraviolet-irradiation from sunlight or this machine can cause premature aging of the skin and skin disorders.

High levels of UV-radiation can cause infections and damage the retina of the unprotected eye. Cataracts can also be caused by repeatedly exposing the unprotected eye to UV-radiation.

Special care should be taken to insure that medications taken or cosmetics worn during tanning are not UV-sensitive.

As such the following precautions must be taken:

- Always use the included protective goggles;
- Remove all facial cosmetics and paba-based SPF before tanning in this machine;
- Do not tan in this machine if you are taking medications that may cause your system to become UV-sensitive. Ask your physician in advance of tanning;
- Always wait at least 48 hours between tanning session. Never more than once per day;
- Always observe the warning / danger labels as well as the exposure schedule;
- Always consult you physician should skin swelling, lesions, or "liver spots" appear on the skin.

Exposure schedule

The recommended exposure schedule has been indelibly adhered to the front of the canopy, and should be followed explicitly.

The MED (Maximum Erythermal Dosage) or maximum tanning time may not be exceed.

Exposure distance

The distance between the canopy and the bench may not be altered for any reason.

For Commercial Operators:

1. No one under the age of 16 should be allowed to tan without the express, written consent of a parent or guardian.
2. The distance between the lamps and an individual tanning in this solarium has been preset, and may under no conditions be altered or lessened.
3. UV radiation can cause damage to the skin and eyes. Insure that you and your staff have been properly trained by a state or provincially - authorized educational organization to give adequate usage instructions to tanning customers.
4. Obey the contents of the danger and warning labels affixed to the solarium, and do not attempt to override the MED (maximum exposure dosage) session times.
5. Insure that all users of this solarium are given eye protection, of the type approved by your respective state's or province's health and / or radiological control agency, and insist that they be at all times when the unit's lamps are lighted.
6. Instruct all users to remove any make-up or facial cosmetics before using the solarium.
7. Be sure to not allow any individual to tan more than once during the course of a 24 hour period.
8. Do not allow any individual to tan should they appear physically sick, disoriented, under the in-

RECOMMENDED EXPOSURE SCHEDULE		MAXIMUM EXPOSURE TIMES (IN MINUTES)			
CLASS:	SKIN TYPES:	week 1	week 2	week 3	MAX
I	SENSITIVE SKIN (Burns easily and severely, and does not tan.)	TANNING NOT ADVISED			
II	LIGHT SKIN (Burns easily and severely, and tans minimally.)	4	7	11	15
III	NORMAL SKIN (Burns moderately, and tans moderately.)	6	10	13	17
IV	DARK SKIN (Burns minimally, and tans well or above average.)	7	12	16	20

influence of alcohol, or display signs of swollen or infected skin. Insist that any such person goes immediately to their physician if they complain of injuries or burned skin before or after tanning.

9. Recommend to your customers that they apply a moisturizing lotion after tanning.
10. Make sure that there is enough room to move the parts of the machine into the cabin, and that there is sufficient space in the cabin itself for proper installation.

After tanning

It is advisable to apply a moisturizing lotion on the skin after tanning.

Electrical requirements

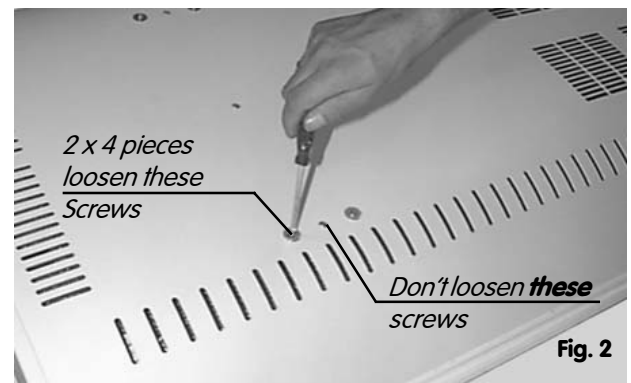
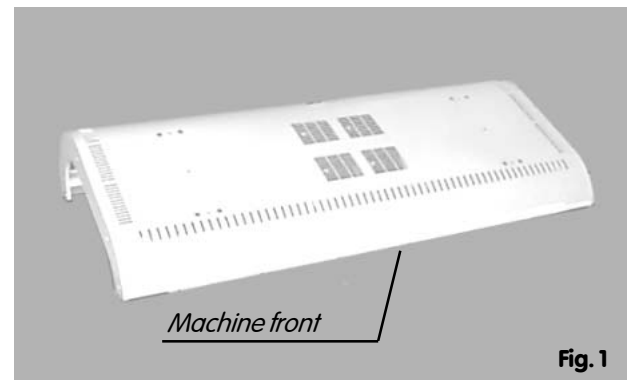
The electrical requirements for all 220 Volt combinations are:
220 Volt dedicated circuit
12 AWG SJT Power Cord
25 Amp rated breaker

Operating any 220 volt combination at voltage levels below 220 or above 240 constitutes an automatic nullification of the warranty, as it could cause damage to the unit's system.

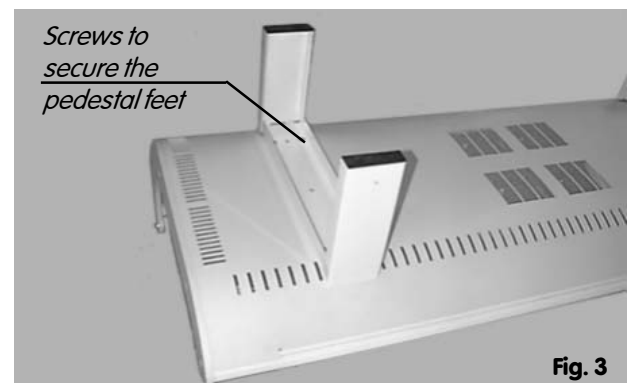
Please insure that your electrician and / or installer reads this information prior to delivery and setup. Using a digital volt meter, he or she must first determine the exact line voltage being delivered to the receptacle. If the line voltage is not within the specified range, employment of a buck-boost transformer will be requested to regulate it. Please contact your authorized DR. KERN dealer for pricing and availability on buck-boost transformers.

Assembly of the Solarium

The assembly begins with the bench. Lift the bench from the package and place it as shown in fig. 1, with the lamps pointed down toward the floor. Use a blanket or cloth underneath as protection. - Strips of cardboard from the packing may also be used.

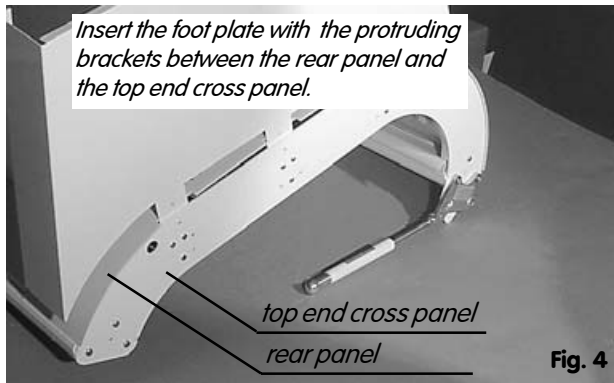


On the underside, this now points upward, the pedestal is already secured at eight points. Take these screws out and use them to secure to the pedestal feet. - fig. 2



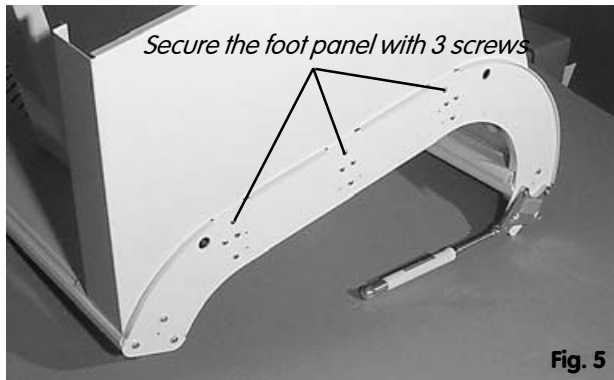
Be sure that screws are fixed solidly.

At the top end of the sun-bed, plastic side plates have been mounted at the works, which are secured by furniture screws. For further assembly, the side plates must be removed again. For this purpose, use a large screwdriver or an ordinary coin.

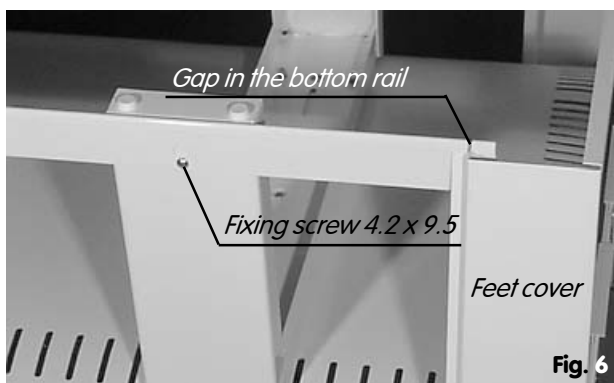


Now three recesses are visible in the rear panel of the sun-bed at each top end. Now insert the foot panel with the protruding brackets each into the gap between the rear panel and the top end brace and press the foot panel firmly to the rear panel of the apparatus.

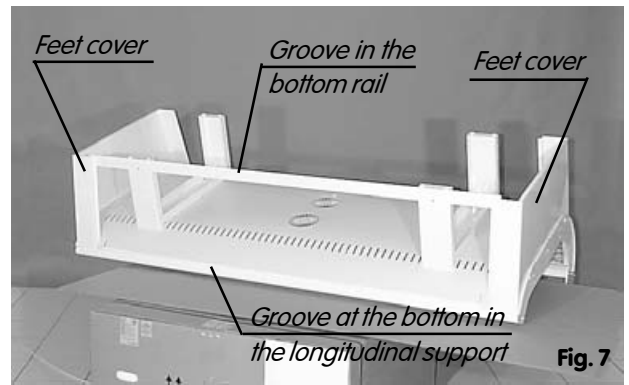
Then secure the foot panel with three screws 4,2 x 9,5 from the accessory bag on the top end cross panel, as shown in fog. 5. Mount the second foot panel in the same manner on the other side of the top end of the apparatus.



In front of the bench ypu will see a fixing borehole nearby at the end of the feet. Tighten the bottom rail with two screws 4.2 x 9.5 in the boreholes like shown in fig. 6.



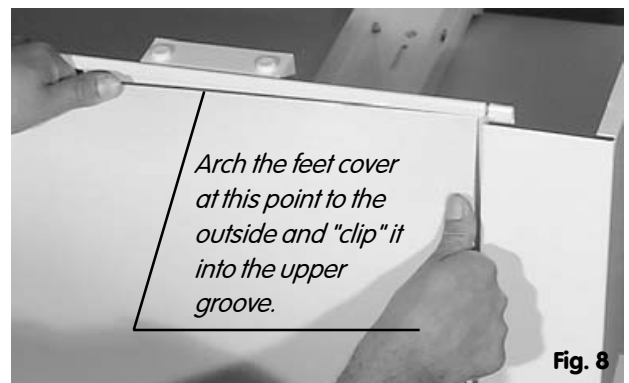
Press the bottom rail strongly upwards and pay attention that the lateral gaps in the bottom rail hook in the lateral part of tehfeet cover to assure the lateral distance of the feet covers.



To finalize the assembly of the bench, you have to mount the front feet cover between the two feet covers.

At first, put into the groove of the longitudinal supporting beam the longitudinal side of the feet cover without the recesses at the right and left side.

Then press the cover as deep as possible into the groove. The cover has to be clipped into the upper groove of the bottom rail. To this purpose, first do the arching of the cover to the outside at one end, as shown in fig. 8, and then press the upper end of the cover into the upper groove of the bottom rail.



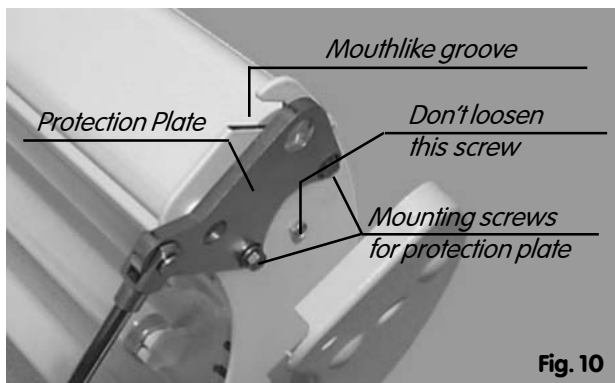
Repeat the arching outwards and pressing upwards at various points, until the foot panel is completely inserted into the groove.

This completes the assembly of the base and feet components. The sun-bed can now be placed on its' intended location.

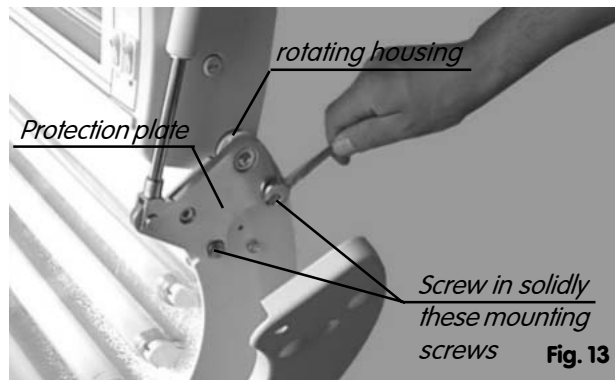


The side panels can now be screwed on again. In doing so however, do not tighten the two top screws.

In order to prepare for the assembly of the upper part, press the side panels which have been screwed on previously outwards a little. To make sure that the side panels remain in this position, a screwdriver or something similar can be jammed in between, see fig. 10.

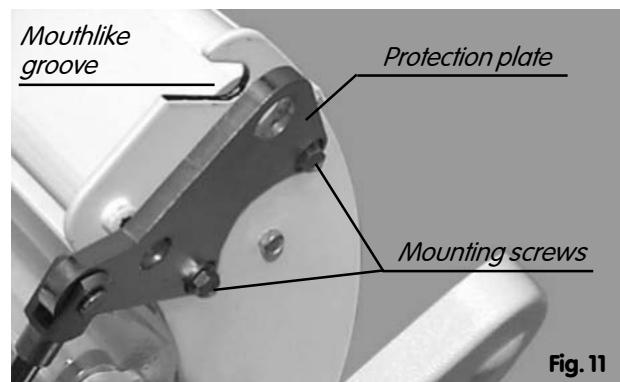


With one person holding the canopy securely at the front, secure the canopy into the rotating housings. To this you must first place both protection-plates so that the big opening on the protection-plate grasps over rotating housings. See fig. 13.

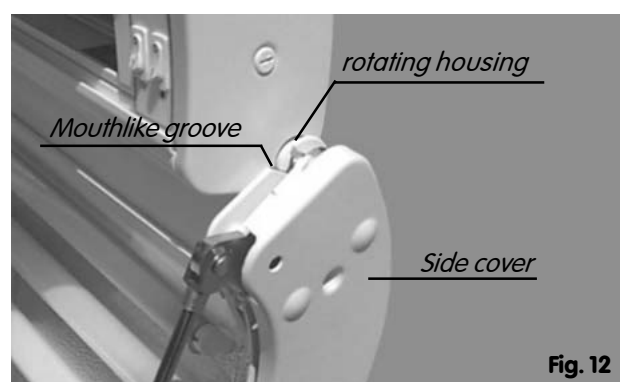


Assembly and Mounting of the Canopy

The last setup step on the bench was the loosening of the right and left side panels, which caused the protection plates to become free. These protection-plates cover the openings into which the canopy, with its rotating housings at either end, will be placed. Loosen the securing screws on the protection plates so that they can be turned away from the opening in the canopy to free them for mounting. See fig. 11.



Two people may now lift the canopy out of its package and place both ends so that they can slide into the groove with the mouthlike opening. See fig. 12.



After you have placed both protection-plates at the left and right rotating housings, secure their respective securing screws with the enclosed SW 10 wrench.

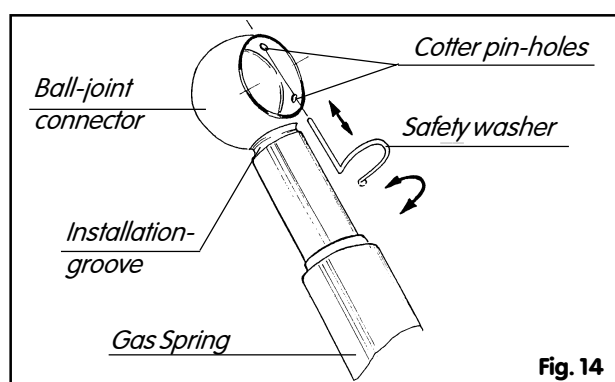
Please oil the bearing before assembling the canopy. Use any regular machine oil or vehicle grease.

After the canopy has been properly and securely mounted, it can be let down onto the bench. Replace the side cover panels in the manner in which they were delivered.

Mounting the Gas Spring

At the gas springs, which are already mounted at the protection plates, safety washers are fixed at the ball-joint connector. These safety washers have to be removed. See fig. 14.

To insure proper securing of the gas spring, the canopy must be raised high enough so that the upper ball-joint connector can be snapped onto the ball-joint on the canopy. Press the ball-joint connector onto the ball-joint as shown in fig. 15. Test the installation by moving the canopy up and down to check for easy movement.



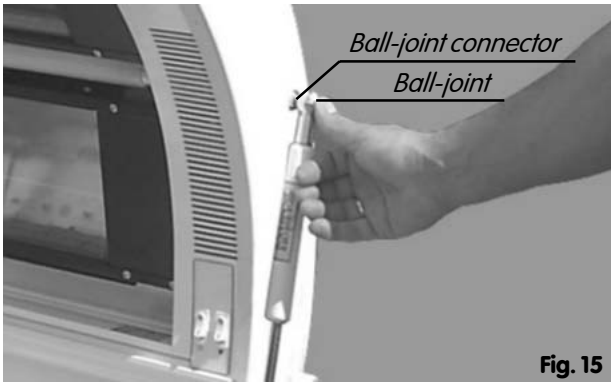


Fig. 15

NOTE! The ball-joint connectors have been lubricated at the factory with a special grease, which may not be removed.

Before depressing the canopy downward, check the mounting of the gas springs and replace the safety washers on the ball-joint connectors to hold the ball-joints in place therein.

Replacement of the safety washers is very important; the canopy may not be moved without this first having been done.

Move the canopy up and down a few times. You will notice that when the canopy is completely raised, the gas spring will move upwards. As the canopy is moved downward, a lighter resistance will be noticeable than at lower levels.

Be advised, however, that slight variations in resistance can occur. A lower or higher force variation in the gas spring can influence the difficulty or ease with which the canopy can be moved.

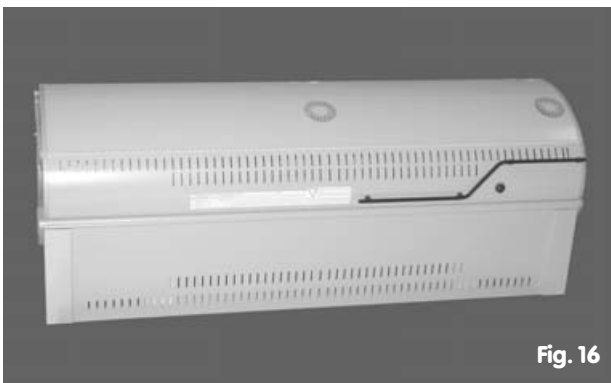


Fig. 16



Fig. 17

How to Operate

If the solarium is used in a residence, without being connected to a commercial remote timer, it can be activated by turning the external timer knob to the desired tanning time (fig. 18).

After the tanning time on the display has ended, the lamps will automatically shut off.

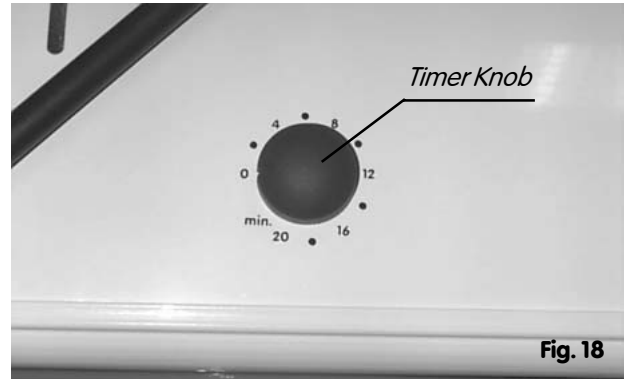


Fig. 18

Rocker Switch

With the rocker switch you can choose the functions:

✱ Face Tanner

UV Tanning Lamps

See fig. 19.

Depressing the switch marked „0” will also end the tanning session at any time; the timer will remain on and run down to „0”.

Face Tanner

The designated rocker switch can turn the face tanner on by depressing ✱ and off by depressing „0” during the tanning session.

Full tanning power is attained by the facial tan lamps after a warm-up time of approx. 3 minutes.

If switched off and immediately switched on again, the lamps do not light up again until after a time of approx. 3 minutes.



Fig. 19

Body Fan

The blue dream CX Series of Solaria are produced standard with a twin body fan.

The body fan can be turned on or off with the designated rocker switch (fig. 20).



Replacing the Lamps and Starters

The longevity of the fluorescent lamps vary from manufacturer to manufacturer, but is usually between 500 and 800 hours of use.

Only authorized, original parts and factory components can be used in this machine; please make sure to have your model type and serial number available when ordering these from your DR. KERN distributor.

THE FOLLOWING LAMPS HAVE BEEN CERTIFIED FOR USE IN THIS EQUIPMENT:

Canopy: High Pressure Lamp Dr. Kern 400 W

Canopy: Dr. KERN VIVA Fun Power 120 W

For devices with face tanners additional:

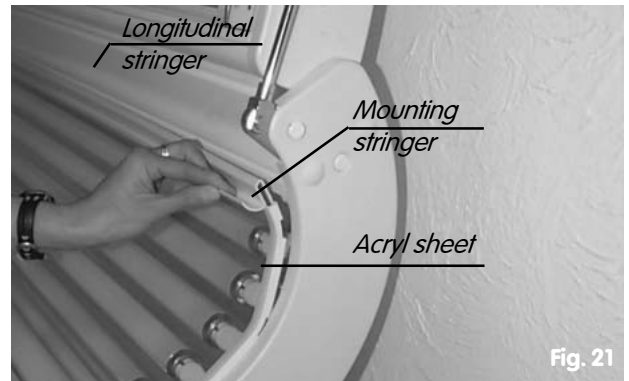
Dr. Kern ER 100 W

Bench: Dr. Kern VIVA Fun Power 120 W

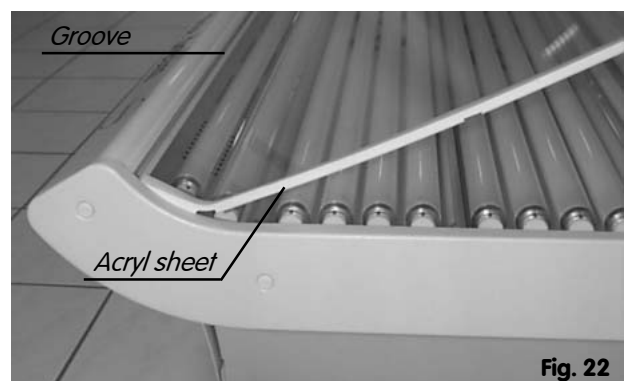
Disconnect the solarium before performing any work on it. The acrylic sheet in the canopy and bench must be removed to replace the lamps and starters.

The acrylic sheet in the recliner is held in place in a groove running along the front and in a mounting profile along the rear longitudinal side. The mounting profile is clipped together with the sheet into the rear longitudinal side. To remove the acrylic sheet, the profile must be pressed slightly downward and pulled forward with uniform pressure. See fig. 21. The acrylic shield is then released along the rear side and can be removed from the recliner.

NOTE: Acrylic glass expands through heating, so the sheets should only be removed in a cool or cold state.



To replace the acrylic sheet, inserted it into the groove along the front side and set it down on the supports in the recliner. See fig. 22.



Now press the sheet and the mounting profile slightly downward at several points along the rear side. When sufficient pressure is applied, the sheet and the mounting profile will snap into the groove along the rear side. See fig. 23.

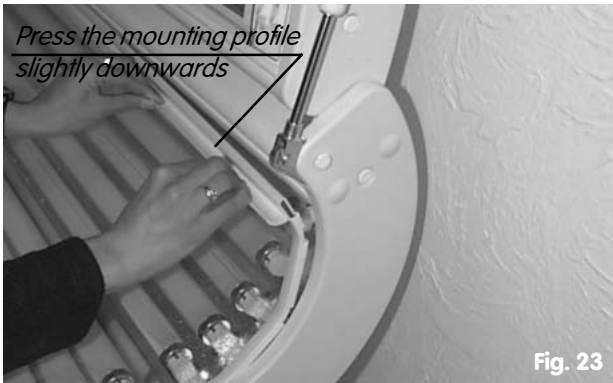


Fig. 23

The top acrylic is designed to be placed with tension into the canopy grooves. To remove, press inward in two places along the center of the sheet as in fig. 24, and pull it out from the front groove, as that edge will come free first.

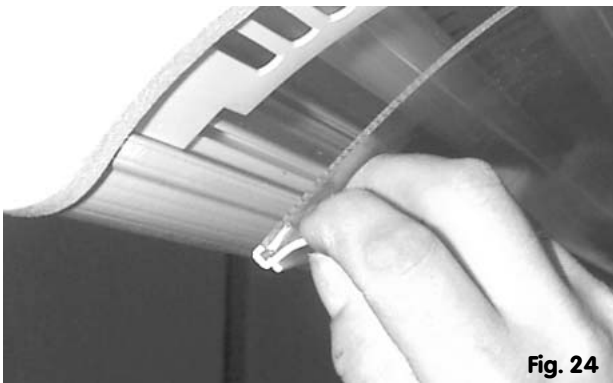


Fig. 24

Use the reverse method to replace. Slide the frontward edge of the sheet into its groove all the way in, and then place the other edge into its groove. To do this, the middle of the acrylic sheet must be depressed in two spots.



Fig. 25

NOTE: The acrylic sheet in the canopy was first mounted in the factory as a flat sheet. After a while, the operation of the unit and its removal and replacement will cause the sheet to take on the form of the canopy.

The acrylic sheets should be regularly cleaned. Use only **solvent-free, non-caustic** materials.

WARNING: Only lamps listed on the warning / Danger label, or those with certified Compatibility Declarations (Refer to CFR 1040.21) should be used as replacements. These lamps can be purchased from your authorized distributor.

Turn each lamp so that one of the bipins can be seen through the lampholder groove. Take the lamp out carefully. Replace the new lamp in the reverse manner. Then turn the lamp 90 degrees in the direction to where the writing on the lamp is visible.

The starters should be changed with each lamp replacement. To do this, press inward on the starter and turn it until it comes free from its fixture. Replace the new starter in the reverse manner.

Servicing of the Face Tanner

The facial lamp in the face tanner cassette should be replaced with regular frequency. To do this, loosen the screws on the outer frame of the face tanner, see fig. 26.

Slide the filter glasses out and clean them on a regular basis. Make sure that the filter glasses are replaced in the proper order, with the blue glass closest to the facial lamp, see fig. 27.

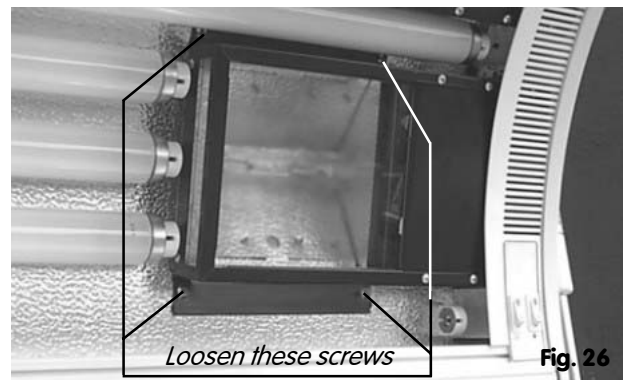


Fig. 26

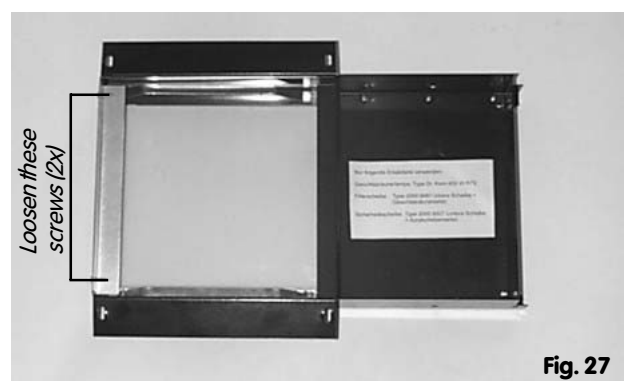


Fig. 27

To the change of the metal-halogen-lamp, grasp only the flat ends and press them into the spring-loaded lampholders until properly secured. Make sure that the lamp envelope itself does not come in contact with your fingers. If this occurs, it should be cleaned with alcohol or spirits before use.

Facial lamps operate at very high temperatures and are cooled with fans in the cassettes. The lamp function is controlled additionally by a heat sensor. Should a fan stop working in any cassette the relay will turn the unit off automatically. The face tanner may not be used until an authorized service representative has repaired the problem. Automatic emergency shut offs of this type occur very infrequently. The cassette fans in the facial tanners normally do not fail.

Only factory - original components and spare parts may be used in servicing this solarium.

NEVER USE A FACE TANNER WITH BROKEN OR CRACKED FILTER GLASSES! Doing so will cause damage to eyes and facial skin.

Ventilation of the Solarium

The ventilation system employed in your new solarium is the best possible. Cool air is drawn into vents at the base of the unit.

The strongest ventilation is at the bench acrylic area. With the strong air circulation, dust will be carried into the solarium and deposited onto its internal components. Any accumulation of dust will hinder the ventilation efficiency of the main fans. For this reason the solarium should be cleaned on a regular basis. Bear in mind that cool air can reduce the temperature of this machine better than warm air. Insure that the room in which the solarium is operated is sufficiently supplied with cool, fresh air.

Cleaning the Solarium

Disconnect the power from the machine before each cleaning. Use only a moist cloth during cleaning.

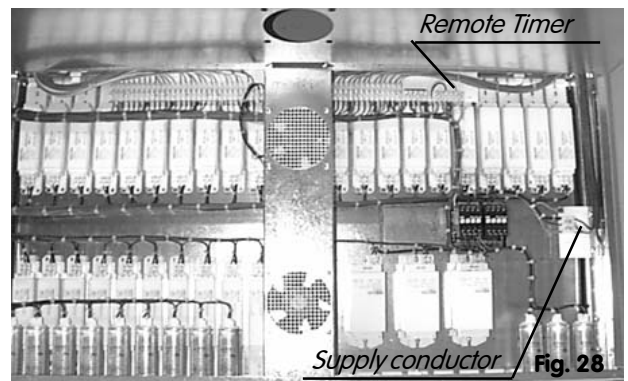
Cleaning of the Acrylic Glass Sheets

Use only material that contains no alcohol, amonia, or any other caustic substances. Use of these materials on the acrylic sheets will damage them, thereby voiding the warranty.

Electrical connection

The contactors, lamp ballast and capacitors for correction of the power factor are located in a sliding rack which is below the bench between the pedestal feet. Move the power cord through the intended strain relief to the 3-pole terminal on the right.

Be sure that the strain relief is fixed to the cord before sliding back. The rack is shown in Fig.28.



Remote control

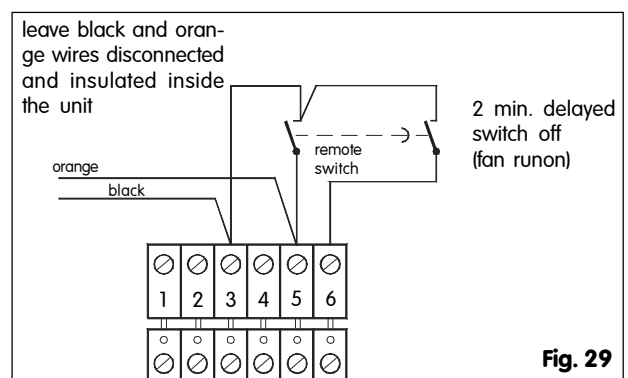
Your solarium can be easily connected to a remote timing device by connecting the switched phase leads to the poles 3 and 5 to a 6 pole terminal, which is located on the right side, at the rear of the sliding rack. Remove and isolate the wires, connected to pole 3 and 5, which are needed for normal builtin-timer operation.

The connection of the remote switch is been shown in the following diagram. Use a cord type SJT or equivalent, with a maximum length of 25 feet.

A 2 or 3-minute "Lag Relay" after-cooling timer can also be connected to this terminal. This function is standard on most remote timing devices developed for use in the indoor tanning industry, or can be ordered from your authorized distributor as an easy-to-install module that fits onto the main contactor block, and is connected to pole no. 6 (red wire) there on.

Notice:

In accordance with the maximum exposure limit of 20 minutes, the maximum running time of the remote timer should not exceed 20 minutes.



Technical Data

	CX 320	CX 323
Length Breadth Height	ca. 2286 mm / 90" 870 mm / 35" 920 mm / 36"	ca. 2286 mm / 90" 870 mm / 35" 920 mm / 36"
Division of Lamps Canopy	16 x 120 W VIVA Fun Power Lamps	6 x 120 W VIVA Fun Power 10 x 100 W ER 3 x 400 W Dr. Kern HP-Lamp
Bench	16 x 120 W VIVA Fun Power Lamps	16 x 120 W VIVA Fun Power
Total output Rated Current	approx. 4000 Watts approx. 18 amps	approx. 5400 Watts approx. 25 amps
Fuse Protection	20 A	30 A
Power cord	SJT 12 AWG	SJT 10 AWG

DR. KERN WARRANTY AND RETURN POLICY

Dr Kern USA, Inc. (hereafter "Dr. Kern") warrants in accordance with the provisions appearing below, to each purchaser of a new Dr. Kern Solarium professional tanning bed ("Equipment") from an authorized Dr. Kern distributor.

1. There shall be no warranties, express or implied, made by Dr. Kern except as are set forth in this Warranty and Return Policy regarding any Equipment purchased from Dr. Kern.
2. The warranties set forth herein are extended exclusively to the original purchaser of Dr. Kern Equipment and are not transferable.
3. Dr. Kern warrants the chassis and spring assisted canopy lift system on any Equipment against defects in materials and workmanship for a period of five (5) years from the date of original purchase. Lamps, lamp holders, starters, filters, gas shocks and acrylic sheets on any Equipment are warranted against defects in materials and workmanship for a period of thirty (30) days from the date of original purchase. All other Equipment components included as original equipment are warranted against defects in materials and workmanship for a period of one (1) year from the date of original purchase. Original customers must complete and return the enclosed warranty card within ten (10) days from the date of purchase to insure coverage of any potential warranty claims. Repairs that are required as a result of damage during transportation to the end user's location, as well as due to neglect, improper handling or faulty installation are expressly excluded from this warranty.
4. Should the failure to conform with this warranty occur during the applicable specified period with respect to any Equipment, or component thereof, under normal and proper use and provided the Equipment, or component thereof has been properly stored, installed and maintained in strict accordance with any directives, instructions and operating procedures provided by the manufacturer, Dr. Kern shall, upon presentation of proof of purchase, correct such nonconformity at the option of Dr. Kern either by repair or replacement, F.O.B. factory, of the nonconforming part. Return of any Equipment or component part thereof pursuant to this paragraph shall be at the purchaser's risk and expense.
5. Dr. Kern warrants any Equipment, or component part thereof, that is repaired or replaced pursuant to the above warranty, under normal or proper use, storage, installation and maintenance, against defects in design, workmanship and material for a period of thirty (30) days from date of start-up of such repaired or replaced Equipment.
6. This warranty does not cover defects or damages to any Equipment resulting from misuse or failure to follow instructions. This warranty does not cover any incidental or consequential damages, labor on location, service calls, reinstallation, or expenses involved in shipping, packing, and returning goods. This warranty does not cover damages to any Equipment resulting from misuse, abuse, accident or alteration. This warranty does not cover damaged to any Equipment caused by fire, flood, explosion, earthquake, failure of power, lightning, power surge or other acts of God. Any alteration or repair to any Equipment other than by a factory authorized person will invalidate this warranty.
7. THE FOREGOING WARRANTIES ARE EXCLUSIVE AND IN LIEU OF ALL OTHER WARRANTIES OF ANY KIND, INCLUDING, BUT NOT LIMITED TO, WARRANTIES OF QUALITY, WHETHER WRITTEN, ORAL OR IMPLIED. ALL OTHER WARRANTIES INCLUDING THOSE OF MERCHANTABILITY OR FITNESS FOR A PARTICULAR PURPOSE ARE HEREBY DISCLAIMED. Correction of nonconformities in the manner and for the period of time provided above shall be purchaser's exclusive remedy and shall constitute fulfillment of all liabilities of Dr. Kern whether in warranty, contract, negligence, tort, or otherwise with respect to the Equipment or component part delivered hereunder. Dr. Kern shall in no event be responsible for providing working access to the defect, including disassembly and reassembly of equipment or parts other than the Dr. Kern Solarium itself.
8. Except as set forth in this warranty DR. KERN SHALL HAVE NO OBLIGATION OR LIABILITY OF ANY KIND ON ACCOUNT OF ANY EQUIPMENT OR COMPONENT PART THEREOF, AND SHALL NOT BE LIABLE FOR ANY INJURY TO PERSON OR PROPERTY, OR ANY OTHER LOSS OR DAMAGE, INCLUDING, BUT NOT LIMITED TO, LOSS OF PROFIT, RENTAL OF SUBSTITUTE EQUIPMENT OR OTHER COMMERCIAL LOSS, EITHER DIRECT OR CONSEQUENTIAL ARISING OUT OF THE USE OR INABILITY TO USE THE EQUIPMENT.
9. Return Policy. As a general rule, Dr. Kern products, including Equipment, cannot be returned. Before any Dr. Kern products, including Equipment, may be returned to Dr. Kern for repair, credit, or otherwise it is required that prior authorization is obtained from Dr. Kern and that such return shipment is clearly marked with an RGA (Return Goods Authorization) number issued by Dr. Kern customer service. No return of Equipment or other products will be accepted by Dr. Kern unless such return shipment is clearly marked with the RGA number. Any return shipment to Dr. Kern must be insured and freight prepaid at purchaser's expense. All return shipments are shipped FOB, freight collect, best way unless arranged otherwise in advance. Final acceptance of returned Equipment or other products is subject to factory inspection. Restocking charges will apply to any return of Equipment or other products.

Guarantee / Registration card

In the event of complaint, please send this guarantee slip - together with the sale invoice in all cases - to your dealer or to the after-sales service centre.

Date of purchase:

Dealer:

