

Operating instructions (Part II)

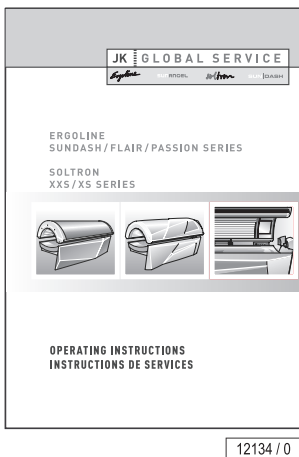
XS-35/3 SUPER POWER

1008475-00 / us / 09.2009

soltron
THE SUNMAKER

Contact information

Technical Service: JK Global Service
A Div of JK Products & Services, Inc.
#1 Walter Kratz Drive
Jonesboro, AR 72401
☎ 800-445-0624
📠 870-935-9046
e-mail: support@jkamerica.com
<http://support.jkamerica.com>



1006322

See also Operating Instructions Part I (1006322):

Contents

- 1 General
- 2 Information for the studio operator
- 3 Operation
- 4 Cleaning and maintenance
- 5 JK-Products, Inc. – Limited Warranty
- 6 Appendix



WARNING!

WARNING!

Read these operating instructions.

Failure to observe these instructions:

- may result in serious injury and death,
- can result in damage to the device and to the environment.
- For the safety of yourself and others, read and observe all instructions contained herein before operating the tanning system.
- Please make the instructions and additional information available to anyone who operates or services the tanning system.

Copyright

The copyright remains with JK-Holding GmbH.

The contents may not be duplicated (in whole or part), distributed or utilized for competition purposes without authorization or disclosed to other parties.

The right to make technical changes in regard to the figures and information contained in this instruction manual is reserved!

Table of contents

1	Important information on tanning	4
1.1	Skin types.....	4
1.2	Tanning times.....	4
2	General	5
2.1	Definitions.....	5
2.2	Identify your tanning device.....	5
3	Safety notices	6
3.1	Description of warning signs.....	6
3.2	Instructions pertaining to a risk of fire, electric shock, or injury	7
3.3	Instructions pertaining to a risk of damage to the machine	9
4	Description	10
4.1	Device description	10
4.2	Accessories (optional)	11
4.3	Function description	11
5	Operation	12
5.1	Operation overview	12
5.1.1	Navigation	12
5.2	Functions.....	12
5.3	Start.....	13
5.3.1	Preparation time.....	13
5.3.2	Interrupt or end tanning session.....	13
5.4	MP3 player connection.....	14
6	Cleaning and maintenance	15
6.1	Cleaning plan	15
6.2	Maintenance plan	17
7	Technical data	18
7.1	Power rating, electrical specifications and noise level.....	18
7.2	Dimensions.....	19
7.3	Lamp configuration.....	20
7.3.1	XS 35/3 SUPER POWER.....	20
7.3.2	Accent lighting.....	21
7.4	Spare parts and accessories	21
8	Appendix	22
8.1	Signs and stickers on the device	22
9	Index	24

1 Important information on tanning

1.1 Skin types

Skin type I (Sensitive):

Invariably gets sunburn, accepts little natural sunlight and does not tan.

Skin type II (Fair):

This is the individual that usually burns easily and severely, tans minimally or lightly and peels.

Skin type III (Average):

Often referred to as "Average" complexion, burns moderately and tans about average.

Skin type IV (Brown):

This individual burns minimally, tans easily and above average with each exposure.

Skin type V (Dark Brown):

This individual's system rarely burns, tans easily and substantially.

1.2 Tanning times

This product is in conformity with performance standards for sunlamp products under 21 CFR 1040."

<p align="center">DANGER ULTRAVIOLET RADIATION</p> <p>Follow instructions. Avoid over-exposure as with natural sunlight. Over-exposure can cause eye and skin injury and allergic reactions. Repeated exposure may cause premature aging of the skin and skin cancer.</p> <p align="center">Maximum Tanning Time is 20 Minutes</p>	Recommended Exposure Schedule					
	Skin Type	Week 1 1st - 3rd Sessions	Week 2 4th - 6th Sessions	Week 3 7th - 10th Sessions	Week 4 11th - 15th Sessions	Weekly Subsequent Sessions
	I - Sensitive	NOT ADVISED	NOT ADVISED	NOT ADVISED	NOT ADVISED	NOT ADVISED
	II - Fair	3 Min.	7 Min.	15 Min.	20 Min.	20 Min.
	III - Average	3 Min.	7 Min.	15 Min.	20 Min.	20 Min.
	IV - Brown	3 Min.	10 Min.	15 Min.	20 Min.	20 Min.
V - Dark Brown	3 Min.	10 Min.	15 Min.	20 Min.	20 Min.	

<p>WEAR PROTECTIVE EYEWEAR! Failure to do so may result in severe burns or long term injury to the eyes.</p> <p>Certain medications or cosmetics may increase your sensitivity to the ultraviolet radiation. Consult a physician before using sunlamps if you are using medication, have a history of skin problems or believe yourself to be especially sensitive to sunlight. If you do not tan in the sun, you are unlikely to tan from the use of this product.</p>	<p>This unit utilizes UVA lamps. Replace only with lamps of the product. GENESIS HPR20 FR71-T12-CA-120W (Canopy), GENESIS HPR20 FR71-T12-BA-120W (Base), GENESIS HPR20 F10-15-VHP-UVB-15W (facial-tanner), Ergoline ULTRA C-12645 (high pressure/ facial-tanner) or recognized equivalents. To obtain the recommended exposure schedule position of a minimum distance of 1/2" (13mm) measured with a standard ruler, lie on acrylic surface of lounge and lower canopy. Canopy will stop at the correct distance from lounge acrylic surface.</p> <p>Warning: The use of any other position may result in overexposure!</p>
--	---

<p>Tanning can begin on a regular basis. An appearance of tanning normally appears after a few exposures and maximizes after four (4) weeks of exposure following the recommended exposure schedule for skin type. In order to provide for maintenance of a tan a maximum of two (2) weekly 15 minute sessions is recommended from the fifth week onward.</p> <p>DO NOT TAN TWICE IN ONE DAY, ONLY TAN ONCE IN A 24 HOUR PERIOD.</p>	<p>Use protective eyewear, super sunnies, whenever unit is energized. Read and follow instruction booklet before using this product. To avoid electrical shock during maintenance disconnect power from unit. This product is in conformity with performance standards for sunlamp products under 21 CFR 1040, FDA.</p> <p align="right">Part No: 1008188-00-</p>
---	---

2**General**

2.1 Definitions

(Studio) operator

People who provide tanning devices to users on a commercial basis. The operator is responsible for the orderly operation of the device as well as the compliance with the maintenance intervals.

User

A person who uses the tanning device at a commercial location.

Staff

People who are responsible for the operation, cleaning as well as general maintenance work and who instruct the users in the operation of the devices.

Electrician

A person with suitable professional training, knowledge and experience which enables them to identify and avoid the dangers which can arise from working with electricity.

Authorized and trained qualified staff

Qualified staff from an external company who have been trained and authorized by the manufacturer for assembly and maintenance work with specific tanning devices.


2.2 Identify your tanning device

For contact with Customer Services, please write down the serial number of your tanning device, see page 22.


3 Safety notices

3.1 Description of warning signs


Danger notices, damage to persons:

 DANGER!	DANGER! Type and source of danger, e.g. “DANGER – High voltage!”
Description of the consequences, e.g. “You can be killed or injured by an electric shock!” Countermeasures: <ul style="list-style-type: none">– Disconnect device from power supply before opening.– Do not reach into the inside with the device switched on.	

Warning notices, damage to persons:

 WARNING!	WARNING ! Type and source of danger, e.g. “Warning – hot surface!”
Description of the consequences, e.g. “You can burn your hand (skin, face)!” Countermeasures: <ul style="list-style-type: none">– Do not touch hot parts and nearby surfaces.– Wait until hot parts and surfaces have cooled down.	

Caution notices, damage to property:

	CAUTION!
The word “Caution” with this label points out that danger for devices, materials and the environment can be expected here.	

Important information:



NOTE:
This symbol does not identify safety notices, but states information for a better understanding of the processes.

3.2 Instructions pertaining to a risk of fire, electric shock, or injury



DANGER!

DANGER – HIGH VOLTAGE!

You can be killed or injured by an electric shock!

Assembly and electrical connection must comply with national and local regulations.

- The device may only be assembled, installed, upgraded or repaired by specially trained and instructed personnel.



WARNING!

WARNING – ULTRAVIOLET RADIATION!

Unprotected tanning may result in eye injury and eye diseases.

The unprotected eye can become inflamed on the surface, and in certain cases the retina can be damaged by excessive radiation. Cataracts can form after frequently repeated exposure to radiation.

- **Inform users to use the included protective goggles that block UV.**



WARNING!

WARNING – ULTRAVIOLET RADIATION!

Follow instructions.

Failure to use protective eyewear may result in severe burns or other eye injury. If discomfort develops, discontinue use and consult a physician.

- A person who does not tan in the sun most likely will not tan from the use of this device. Persons with very sensitive skins (skin type I) must not use the unit, as with this skin type tanning is impossible without damaging the skin (e.g. sunburn).
- Individuals with acute sunburn, individuals who have had or have skin cancer, or individuals who are at increased risk of skin cancer, must not use the system.
- UV devices must not be used without taking medical advice if unexpected effects, such as itching, occur within 48 hours of the first session.
- The sunbed must never be used if a filter panel is missing or damaged, or the timer is defective!
- UV light from the sun or UV systems can cause injuries to the skin or eyes. This biological effect is dependent on the sensitivity of the individual's skin and on the type and amount of UV light.
- As with natural sunlight, overexposure can cause eye and skin injury, sunburn, and allergic reactions.
- Repeated exposure may cause premature aging of the skin and skin cancer.

- Medications or cosmetics applied to the skin, may increase sensitivity to ultraviolet light.

A person having a history of skin problems should consult a physician before use.



WARNING!

WARNING – ULTRAVIOLET RADIATION!

Danger of long-term consequences.

- Overexposure should be avoided.
 - The elderly should not use this equipment.
 - Nursing infants and small children through age 7 years may not use this device.
 - The following applies to minors under the age of 18 years: Only use tanning devices in agreement with a parent or guardian, or after consulting a physician. Check with your state regarding tanning laws for minors!
 - While there is no immediate clinical evidence of UVA exposure and its effects upon expectant mothers, it is strongly advised that expectant mothers be discouraged from using the tanning unit.
-



WARNING!

WARNING – RISK OF INFECTION!

Infections can be transferred through skin contact.

All items/equipment components, with which the user can come into contact during tanning, must be disinfected after every tanning session:

- Protective goggles
- Acrylic sunbed
- Handles and control panel
- MP3 cable

For fast, hygienic proper cleaning, use a specially developed fast disinfectant cleaner.



NOTE:

Occasionally, persons using the tanning device will experience a slight reddening of the skin – usually in small patches – after the second or third session. This redness is often accompanied by an itching sensation. This may be nothing more than a heat “rash” caused by heat from the lamps within the device. It is generally very limited and caused by constant contact of the skin with the acrylic surface. It should go away within approximately 24 hours and should not reappear. This rashing can be lessened or prevented by applying moisturizer lotion to the affected area after the tanning session is completed.

- Follow instructions.
 - The time between the first two tanning sessions must be at least 24 hours.
 - Increasing tanning also requires an extension of the exposure time (= radiation time) or after a certain degree of tanning has been achieved,
-

a further intensification is not possible. However, the radiation time may not be extended as desired within the scope of the permissible radiation doses! Therefore, only a certain degree of final tanning dependent on the skin type can be achieved without endangering your health.

- Inform users about proper tanning.

3.3 Instructions pertaining to a risk of damage to the machine



CAUTION – DANGER OF OVERHEATING!

Danger of overheating by obstruction of the air routing.

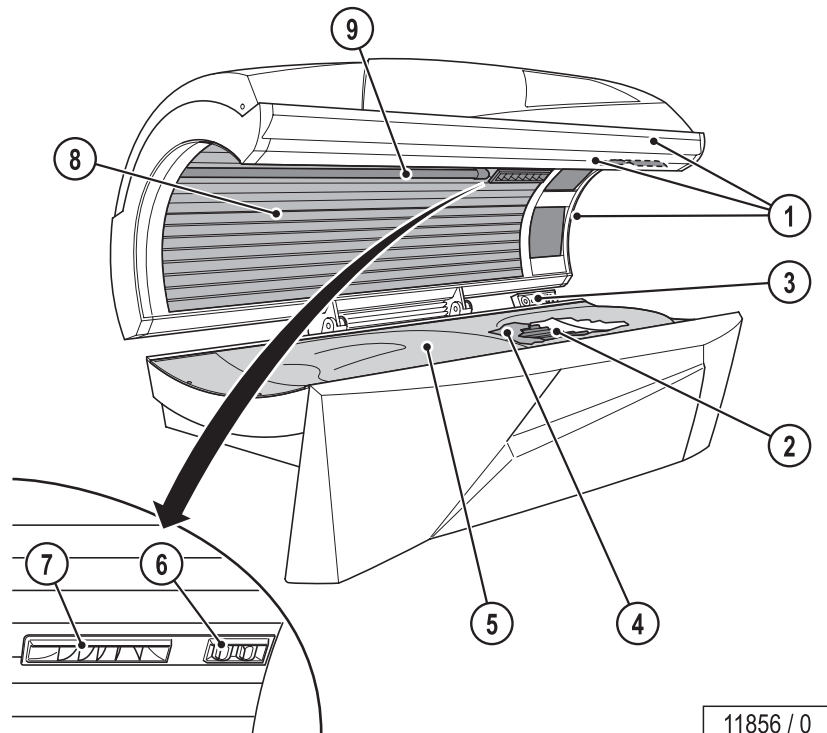
- Do not change, obstruct or block the air inflow and outflow area to the device or make any unauthorized changes to the device. The manufacturer shall bear no liability for damage or injuries resulting from such actions.
 - Before putting a tanning device into operation, the transport pallet must be removed from under the device. Danger of overheating by obstruction of the air routing.
-

4

Description

4.1 Device description

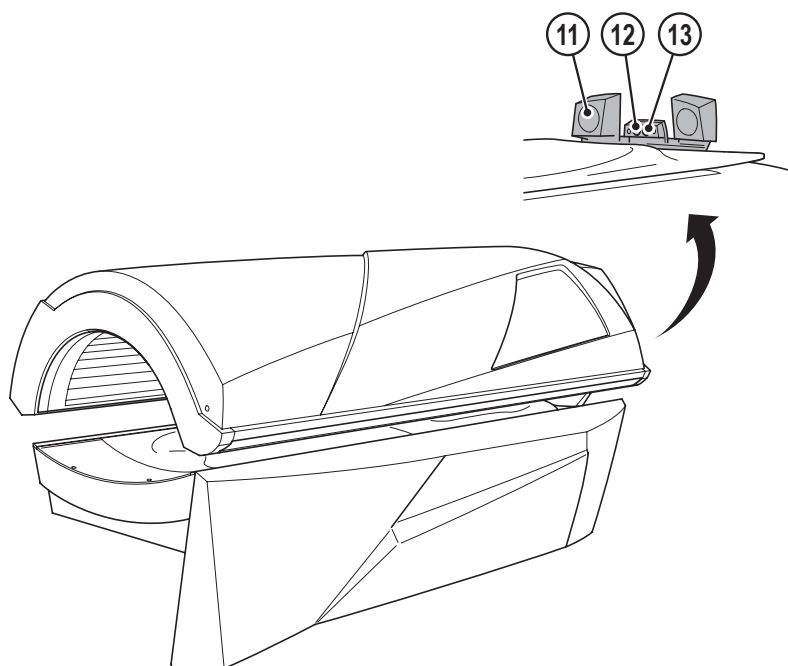
XS 35/3 SUPER POWER



11856 / 0

- 1. Facial tanner (3 UV high-pressure lamps)
- 2. UV low-pressure lamps, base
- 3. Operating panel
- 4. Intermediate panel (only sunbeds with air condition)
- 5. Acrylic cover, base
- 6. Adjustable air nozzles face cooling
- 7. Body cooling air nozzles
- 8. UV low-pressure lamps, canopy
- 9. Interior lighting

4.2 Accessories (optional)



11855 / 0

11. Audio system (Stereo Sound System PLUS or Stereo Sound System)
12. Headphone connection (only with Stereo Sound System PLUS)
13. MP3 connection (only with Stereo Sound System PLUS)

4.3 Function description

The primary technical components of a tanning device are an artificial source of UV radiation, a variety of filters and reflectors as well as a mechanical structure with a defined active surface.

Different tanning results can be achieved in varying strength tanning devices. On one hand, this is due to the different strength UV lamps and, on the other hand, the different UV-A and UV-B proportions of the UV radiation. Whereas the UV-A proportion primarily generates a superficial tan, which appears rapidly and is intensive but also fades more rapidly, the UV-B radiation is primarily responsible for more long-term tanning results. The disadvantage of the UV-B radiation is that the tan does not become visible until one or two days after visiting the tanning salon. As a result the appropriate tanning device is to be selected depending on the desired tanning goal.

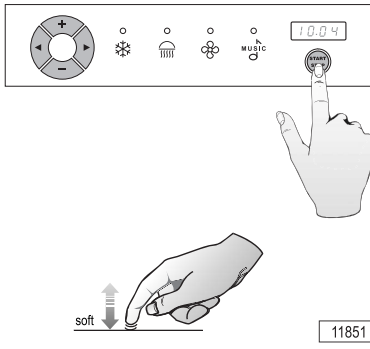
The tanning devices described here primarily emit UV-A radiation and are equipped with additional UV-B lamps (low-pressure UV vapor lamps in the face tanners).

5 Operation

5.1 Operation overview

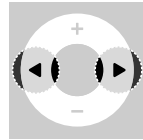
5.1.1 Navigation

The device is operated with the navigation ring.

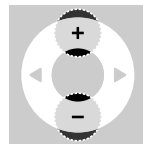


Switch on UV lamps:
 - Press the button once.

Switch off UV lamps/pause tanning:
 - Hold the button down.



Select device function (go to pictogram)
 MUSIC e.g. MUSIC



Adjust the intensity/setting of the function selected.

The available functions and the navigation ring are illuminated in default mode after starting up the tanning device. After selecting a function, the respective LED and the navigation ring flash for a few seconds. Settings may be changed during this time.

5.2 Functions

Function	Button sequende	Description	Information
1. UV lamps		START/STOP switch the UV lamps on / off during tanning	If the UV lamps are switched off during tanning, the tanning time continues to run.
3. Music		Internal: Control volume, Levels 0-14 External: MP3 player	Only available as optional accessories for Stereo-Sound and Stereo-Sound PLUS. See page 14
4. Body cooling/ Facial cooling	 	Control cooling, Levels 1-5 Switch off cooling <input type="checkbox"/> OFF Switch on cooling <input type="checkbox"/> ON	 The air jets for the facial cooling can be adjusted by hand.
5. Facial tanner	 	Switch off facial tanner <input type="checkbox"/> OFF Switch on facial tanner <input type="checkbox"/> ON	1 minute until maximum power.

5.3 Start

The device is started automatically with an internal or external timer.



NOTE:

Timer instructions see separate manual (order no. 0070923801-..)

5.3.1 Preparation time



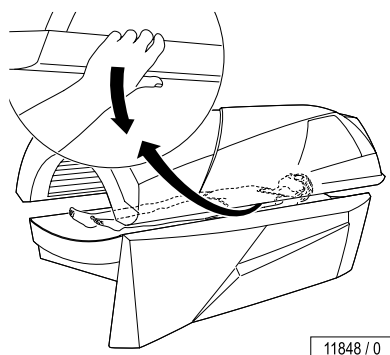
WARNING!

WARNING!

Wrong positioning may result in overexposure!

To obtain the recommended exposure schedule position of a minimum distance of 1/2" (13 mm) measured with a standard ruler:

- Lie on acrylic surface of lounge and lower canopy. Canopy will stop at the correct distance from lounge acrylic surface.



Before the UV lamps turn on, you have a few minutes to prepare yourself. During the preparation time you can switch on the UV lamps at any time by pressing the START/STOP button.

- Remove your clothes and all jewelry.
- Remove make-up and other cosmetics.
- Remove glasses. Contact lenses can be worn under the protective goggles.
- Put on the protective goggles.
- Lie down on the bed surface.
- Close the canopy.
- Press the START/STOP button.

Settings on start-up:


- UV lamps
- Facial tanner
- Cooling
- Stereo Sound System PLUS (optional)
- Air condition (optional)

5.3.2 Interrupt or end tanning session

The tanning session ends automatically after the preset time has run down. The internal fan continues to run for approx. three (3) minutes to sufficiently cool the device.

- To interrupt a tanning session, press button START/STOP anytime during a session.
- Press START/STOP again to restart the lamps.

5.4 MP3 player connection



WARNING!
Danger of hearing damage!

WARNING!

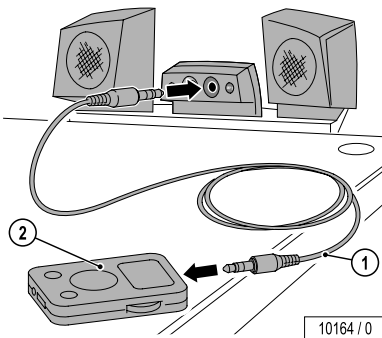
Using earphones or headphones at high volume can result in permanent hearing damage.

Improper maintenance can cause the device to be damaged or to become unusable.

- Do not set the volume too high.

Studio customers can connect their own MP3 player to the device when the "Stereo Sound System PLUS" accessory is available

- 1 Jack plug (JK Part # 4630911001-..) provided for use by the studio operator (2 x 3.5 mm stereo jack plug).
- 2 MP3 player connection: see the documentation from the manufacturer of the MP3 player.

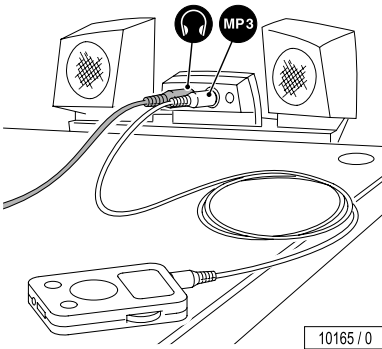


Loud music might disturb other studio users!

- Use headphones whenever necessary.

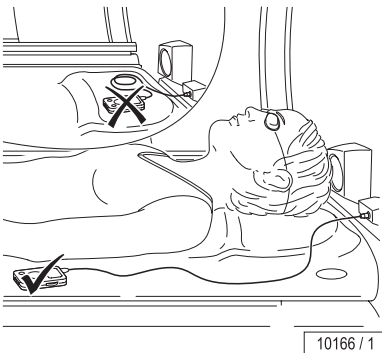
Connect:

- Plug the MP3 cable (stereo jack plug) into the Stereo-Sound system PLUS.
- Plug the MP3 cable into the MP3 player.
- Select the music title and start in accordance with your MP3 player's instructions.



If the speakers do not play any music:

- Increase the volume on the MP3 player until the music signal is automatically switched to the Stereo-Sound system PLUS.
- Set the volume on the tanning device to the desired level.



CAUTION!

The heat might damage your MP3 player.

Do not position the unit so that it receives direct tanning radiation.

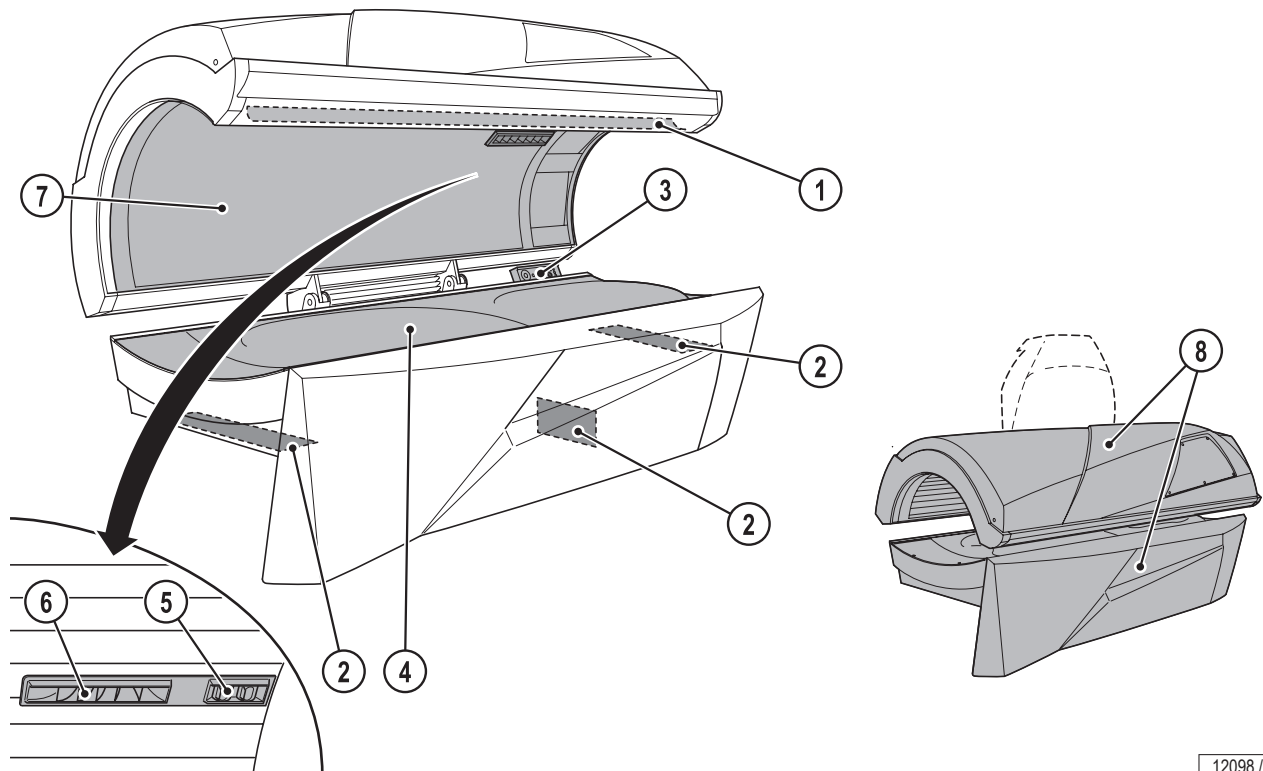
Cable may be torn off, connectors may be damaged.

- Do not pull on cable when unplugging MP3 player.

6 Cleaning and maintenance

For a description on how to carry out cleaning and maintenance work, see Operating Instructions Part I (1006322).

6.1 Cleaning plan



12098 / 0

Component	Interval			Activity	See Chap. ¹⁾
	After each tanning	As necessary	50 h		
1 Handle	X			Clean and disinfect	4.3
3 Control element	X			Clean and disinfect	4.3
4 Base	X			Clean and disinfect	4.3
5 Adjustable air nozzles	X			Clean and disinfect	4.3
Protective goggles	X			Clean and disinfect	4.3
MP3 cable	X			Clean and disinfect	4.3

Component		Interval	Activity	See Chap. ¹⁾
		After each tanning		
		As necessary		
		50 h		
6	Air nozzles	X	Clean	4.3
7-8	Surfaces	X	Clean	4.3

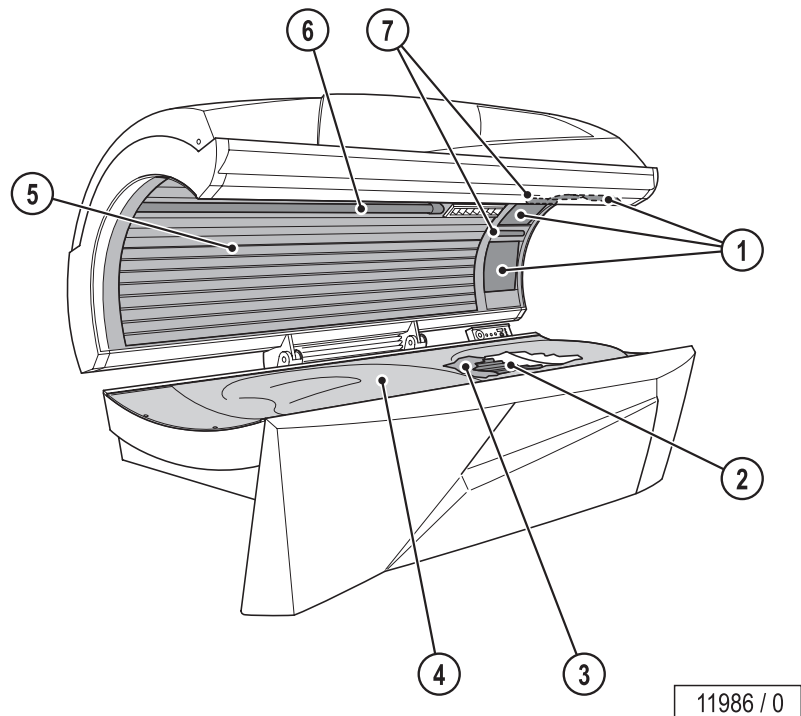
1) See Operating Instructions Part I (1006322)



NOTE:

Cleaning must be confirmed after each tanning session by pressing the START/STOP button (when the cool-down time for the main fan has finished).

6.2 Maintenance plan



Component	Interval				Activity	See Chap. ¹⁾
	500 h	1000 h	1500 h	3000 h		
1 UV high-pressure lamps	X				Replace	4.10
2 UV low-pressure lamps base	X				Replace	4.9
5 UV low-pressure lamps canopy	X				Replace	4.10
7 UV low-pressure lamps face tanner	X				Replace	4.10
2 Starter		X			Replace	4.9
5 Starter		X			Replace	4.10
6 Starter		X			Replace	4.11
7 Starter		X			Replace	4.10
4 Acrylic base			X		Replace	4.5.1
1 Filter panels (UV high-pressure lamps)				X	Replace	4.10

1) See Operating Instructions Part I (1006322)

7 Technical data

7.1 Power rating, electrical specifications and noise level

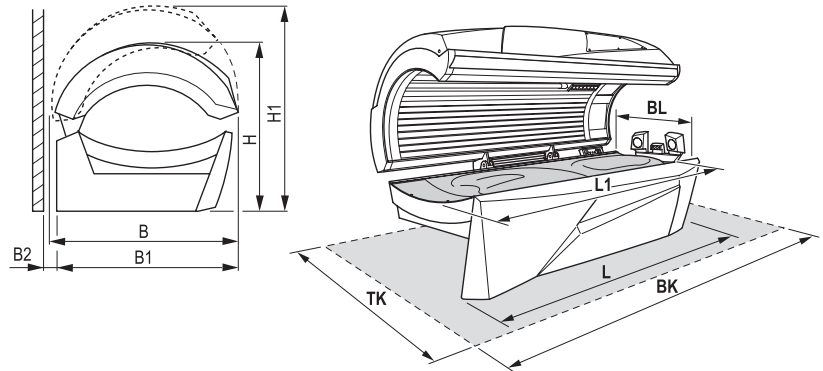
Conformity mark (see name plate on page 22).



XS 35/3 SUPER POWER

Rated power	
without air condition:	7000 W
with air condition	–
Rated frequency:	60 Hz
Rated voltage:	230 V
Fuse rating:	40 amp 3-pole or 60 amp 2-pole
Connecting lead:	
Noise level at 1 m from the sunbed:	66,0 dB(A)
Noise level in sunbed:	< 81 dB(A)
Load on the acrylic base:	max. 334 lb/150 kg
Weight:	728 lb/330 kg

7.2 Dimensions



11806 / 0

B =	47 4/16 in	1200 mm
B1 =	30 11/16 in	780 mm
H =	48 7/16 in	1230 mm
H1 =	62 3/16 in	1580 mm
L =	84 10/16 in (without Sound System)	2150 mm (without Sound System)
L =	88 9/16 in (with Sound System)	2250 mm (with Sound System)
L1 =	84 10/16 in	2150 mm
BK =	94 1/2 in	2400 mm
TK =	90 9/16	2300 mm

7.3 Lamp configuration

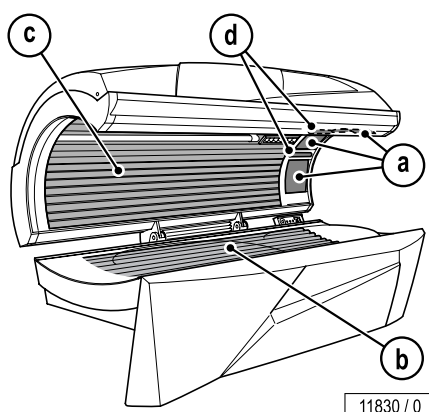
CAUTION!



The use of other UV lamps and filter panels voids the operating license!

The UV high-pressure lamps fitted are broadband radiators that can be operated at different outputs (approx. 240-400 W).

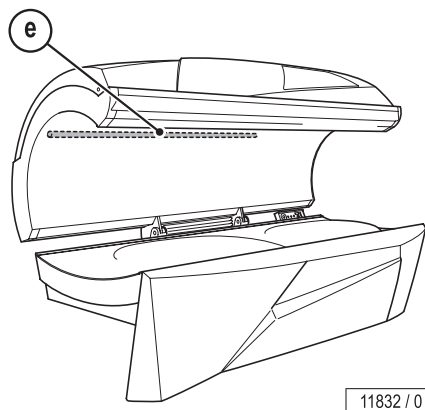
7.3.1 XS 35/3 SUPER POWER



Installed lamps

	Num.	Lamp name, starter, filter panels	Length	Power level	Activation	Order no.
a)	3	UV high-pressure lamps Ergoline ULTRA C-12645		520 W	400 W / 0 W	12645-..
	3	Filter panel Ultra Performance				1504566-..
b)	16	UV low-pressure lamps GENESIS HPR20 FR71-T12-BA-120W	71 in	120 W	120 W	1504557-..
	16	Starter 160 W				1004929-..
c)	18	UV low-pressure lamps GENESIS HPR20 FR71-T12-CA-120W	71 in	120 W	120 W	1504558-..
	18	Starter 160 W				1004929-..
d)	2	UV low-pressure lamps GENESIS HPR20 F10-T5-VHP-UVB-15W		15 W	15 W	1504564-..
	1	Starter S2				10013-..

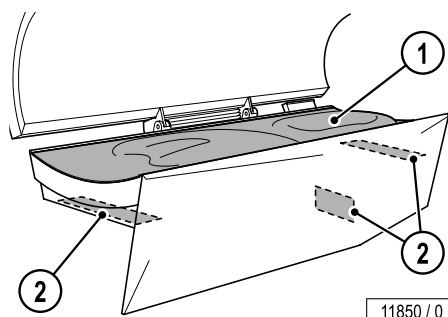
7.3.2 Accent lighting



11832 / 0

	Num.	Lamp name, starter	Power	Order no.
e)	1	Low-pressure lamp blue	36 W	12969-..
	1	Starter S10		10047-..

7.4 Spare parts and accessories



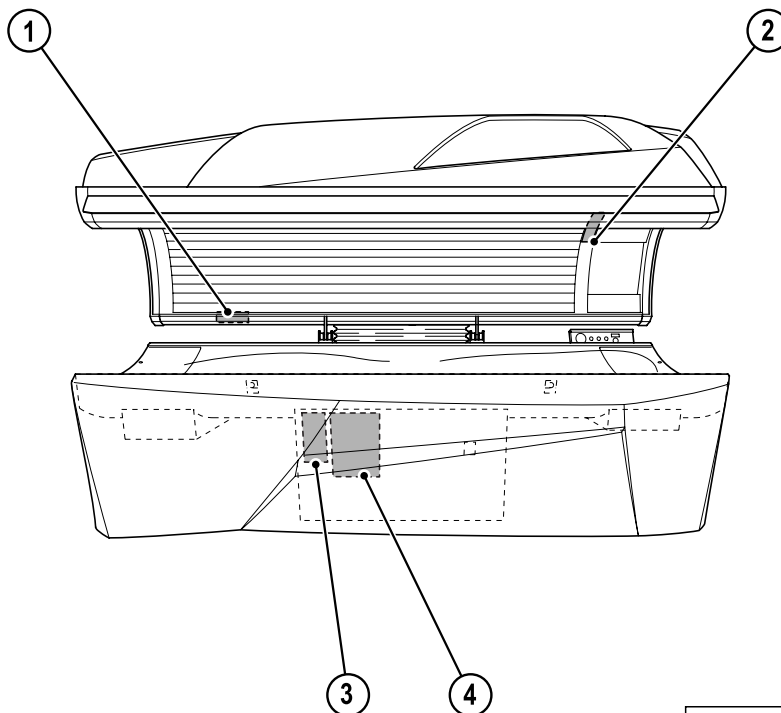
11850 / 0

	Num.	Name	Order no.
①	1	Acrylic base	1503569-..
②	3	Filter	55567-..

8 Appendix


8.1 Signs and stickers on the device

Signs which warn of danger areas are attached to the device. The signs shown below are examples. Ensure that the instruction signs are always clearly recognizable and easily legible.



12077 / 0

1 Nameplate

JK Products and Services, Inc. #1 Walter Kratz Dr. Jonesboro, AR 72401 1:800:SUNDASH	MODEL NO. SERIAL NO.						
 ETL LISTED PORTABLE SUN/HEAT LAMPS							
INTERTEK TESTING SERVICES NA INC. CORTLAND, NEW YORK, 13045							
<table border="1" style="width: 100%; border-collapse: collapse;"> <thead> <tr> <th style="width: 50%;">DATE MANUFACTURED</th> <th style="width: 25%;">A/C VOLTS</th> <th style="width: 25%;">A/C LAMPS</th> </tr> </thead> <tbody> <tr> <td style="height: 40px;"></td> <td style="text-align: center; vertical-align: middle;"> 0 0 </td> <td></td> </tr> </tbody> </table>	DATE MANUFACTURED	A/C VOLTS	A/C LAMPS		0 0		
DATE MANUFACTURED	A/C VOLTS	A/C LAMPS					
	0 0						
THIS PRODUCT IS IN CONFORMITY WITH PERFORMANCE STANDARDS FOR SUNLAMP PRODUCTS UNDER 21 CFR PART 1040: CAUTION READ OWNERS MANUAL BEFORE INSTALLING. FOLLOW ALL MANUFACTURER INSTRUCTIONS COMPLETELY AND CAREFULLY. OBSERVE AND FOLLOW ALL CAUTION WARNINGS. INSTALLATION SHOULD ONLY BE COMPLETED BY A QUALIFIED ELECTRICIAN.							

12075 / 0

The nameplate contains important information for identifying the device (e.g. the serial number = Serial-No.).

2 Warning sticker

WARNING-ULTRA VIOLET RADIATION - FOLLOW INSTRUCTIONS - FAILURE TO USE PROTECTIVE EYEWEAR MAY RESULT IN SEVERE BURNS OR OTHER EYE INJURY -IF DISCOMFORT DEVELOPS, DISCONTINUE USE AND CONSULTA PHYSICIAN.

(I) As with natural sunlight, overexposure can cause eye injury and sunburn;

(II) Repeated exposure may cause premature aging of the skin and skin cancer;

(III) Medications or cosmetics applied to the skin, may increase sensitivity to ultraviolet light;

(IV) A person who does not tan in the sun most likely will not tan from the use of this device;

(V) A person having a history of skin problems should consult a physician before use;

(VI) Overexposure should be avoided; and

(VII) Children, the elderly, or fair skinned people who always burn easily and either never tan or tan minimally should not use this equipment.

(VIII) The appliance is not allowed to be used by more than one person at the same time.

ATTENTION - RAYONNEMENTS ULTRAVIOLETS - VEUILLEZ SUIVRE LES INSTRUCTIONS SUIVANTES - SANS DISPOSITIF DE PROTECTION DES YEUX, CE PRODUIT PEUT CAUSER DES BRULURES OU LESIONS OCULAIRES GRAVES - EN CAS DE PROBLEME ARRETER L'UTILISATION ET CONSULTER UN MEDECIN.

(I) Comme avec les rayons solaires naturels, une exposition trop longue peut causer coup de soleil ou brûlure;

(II) Une exposition répétée peut causer un vieillissement prématuré de la peau ou un cancer de la peau;

(III) L'utilisation de certains médicaments ou produits appliqués sur la peau peut accroître la sensibilité aux ultra-violetts;


(IV) Les personnes ne bronçant pas au soleil ne le feront probablement pas sur cet appareil;

(V) Toute personne ayant des problèmes de peau doit consulter un médecin avant toute utilisation;

(VI) Éviter toute surexposition;

(VII) Il est conseillé aux enfants, aux personnes âgées ou aux personnes à peau claire ne bronçant pas ou étant très sensibles au soleil de ne pas utiliser cet appareil;

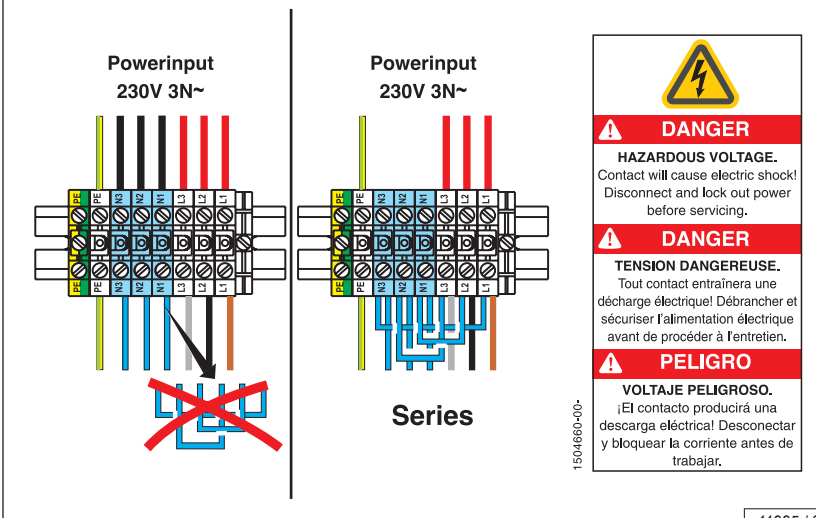
(VIII) L'appareil ne doit être utilisé que par une seule personne à la fois.



801140-01-

12076 / 0

3 USA mains connection sticker (1504659-..)



Powerinput 230V 3N~

Powerinput 230V 3N~

Series

1504660-00-

⚠ DANGER
HAZARDOUS VOLTAGE.
Contact will cause electric shock!
Disconnect and lock out power before servicing.

⚠ DANGER
TENSION DANGEREUSE.
Tout contact entraînera une décharge électrique! Débrancher et sécuriser l'alimentation électrique avant de procéder à l'entretien.

⚠ PELIGRO
VOLTAJE PELIGROSO.
¡El contacto producirá una descarga eléctrica! Desconectar y bloquear la corriente antes de trabajar.

11995 / 0

The sticker is visible when the front panel is removed and the control unit cover opened.

4 USA power supply units sticker

The sticker is visible when the front panel is removed and the control unit cover opened.

9 Index

A	
Accessories	11
Acrylic cover, load	18
C	
Cleaning	15
Cleaning intervals	15
Cleaning plan	15
D	
Definitions	5
Description	10
Device description	10
Dimensions	19
E	
Electric shock	7
Electrical specifications	18
F	
Filter	
Cleaning intervals	15
Filter panels	
maintenance intervals	17
Function description	11
Functions	12
I	
Injury	7
Installed lamps	20
M	
Maintenance	15
Maintenance plan	17
Measurements	19
MP3 player connection	14
N	
Nameplate	22
Navigation ring	12
Noise level	18

O

Operating panel	12
Operation overview	12
Order numbers	20, 21
Overheating of the device	9

P

Power rating	18
Powerinput	23

R

Risk of fire	7
--------------------	---

S

Safety notices	6, 7
Settings on start-up	13
Signs and stickers	22
Skin types	4
Spare parts	17
Order numbers	21
Start of tanning	13
Starter	20

T

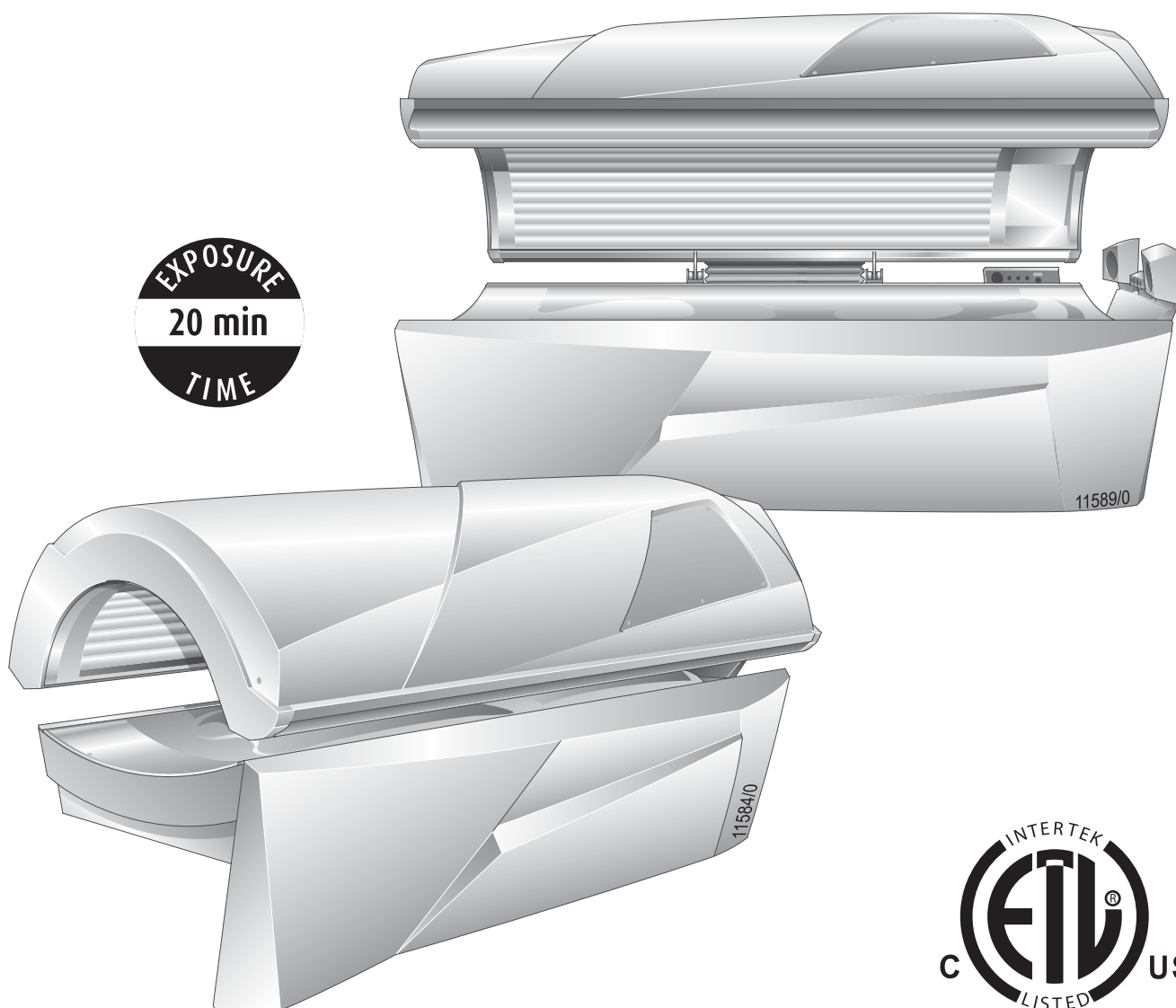
Tanning times	4
Technical data	18
Technical service	2

U

UV lamps	20
----------------	----

W

Warning sticker	23
-----------------------	----



Instructions de service (Part II)

Traduction des instructions de service originales

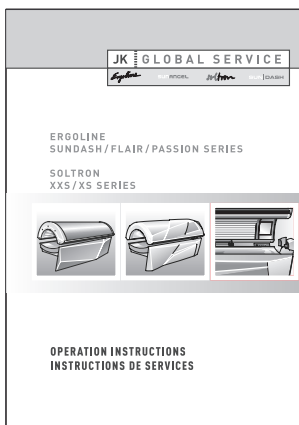
XS-35/3 SUPER POWER

1008475-00 / fr / 09.2009

soltron
THE SUNMAKER

Imprint

Service technique : JK Global Service
A Div of JK Products & Services, Inc.
#1 Walter Kratz Drive
Jonesboro, Arkansas 72401
☎ 800-445-0624
📠 870-935-9046
E-Mail : support@jkausa.com
<http://support.jkausa.com>



12134 / 0

Voir aussi Instructions de service, 1^e partie (1006322) :

Sommaire

- 1 Généralités
- 2 Information destinée à l'exploitant du studio
- 3 Fonctionnement
- 4 Nettoyage et maintenance
- 5 JK-Products, Inc. – Garantie limitée
- 6 Appendice



AVERTISSEMENT !

Veillez lire les présentes Instructions de service

AVERTISSEMENT !

La non-observation de ces Instructions :

- peut provoquer des blessures graves, voire même la mort,
- peut provoquer des dommages pour l'appareil et l'environnement.
- Dans l'intérêt de votre propre sécurité et de celle des autres, veuillez lire et observer toutes les instructions contenues dans la notice avant d'utiliser le solarium.
- Vous ferez connaître ces instructions et toutes les informations complémentaires qui sont disponibles à toutes les personnes qui utilisent et entretiennent le solarium.

Copyright

Les droits de copyright restent propriété de JK-Holding GmbH.

Il est interdit de dupliquer (partiellement ou intégralement) le contenu de la présente notice, de le distribuer, de l'utiliser aux fins de concurrence ou de le faire connaître aux tiers sans autorisation.

Nous nous réservons le droit d'effectuer les modifications techniques par rapport aux figures et aux informations contenues dans le présent manuel d'instructions !

Sommaire

1	Informations importantes concernant le bronzage	4
1.1	Types de peau	4
1.2	Durée de bronzage	4
2	Généralités	5
2.1	Définitions	5
2.2	Identifiez votre solarium	5
3	Notes relatives à la sécurité	6
3.1	Description des pictogrammes d'avertissement	6
3.2	Instructions relatives à un risque d'incendie, de choc électrique et de blessures	7
3.3	Instructions relatives à un risque de dommage matériel	9
4	Description	10
4.1	Description du solarium	10
4.2	Accessoires (option)	11
4.3	Description fonctionnelle	11
5	Fonctionnement	12
5.1	Aperçu du fonctionnement	12
5.1.1	Navigation	12
5.2	Fonctions	13
5.3	Démarrer	14
5.3.1	Durée de préparation	14
5.3.2	Interruption et fin de la séance de bronzage	14
5.4	Connecter le lecteur MP3	15
6	Nettoyage et maintenance	16
6.1	Plan de nettoyage	16
6.2	Plan de maintenance	18
7	Caractéristiques techniques	20
7.1	Puissance nominale, spécifications électriques et niveau sonore	20
7.2	Dimensions	21
7.3	Configuration des lampes	22
7.3.1	XS 35/3 SUPER POWER	22
7.3.2	Eclairage décoratif	23
7.4	Pièces de rechange et accessoires	23
8	Appendice	24
8.1	Plaques et autocollants sur le solarium	24
9	Index alphabétique	26

1 Informations importantes concernant le bronzage

1.1 Types de peau

Type de peau I (peau sensible)

Les personnes en question sont exposées aux coups de soleil, tolèrent faiblement la lumière naturelle du soleil et ne doivent pas bronzer.

Type de peau II (peau blanche) :

C'est le type de personne facilement et fortement sujet aux brûlures, qui bronze de façon minimale ou légère et qui pèle.

Type de peau III (type de peau moyen) :

Souvent désigné par teint "moyen", brûlures modérées et bronzage moyen.

Type de peau IV (peau marron) :

Brûlures minimales, bronzage aisé et au-dessus de la moyenne à chaque exposition.

Type de peau V (peau sombre) :

Ce genre de personne n'est sujet que rarement à des brûlures, bronzant aisément et en profondeur.

1.2 Durée de bronzage

En termes de performances standard, ce produit est conforme aux exigences applicables aux appareils équipés de lampes solaires selon la norme 21 CFR 1040.

Type de peau	Tableau des expositions recommandées					Séances hebdomadaires par la suite
	1 ^{ère} - 3 ^{ème} semaine exposition	2 ^{ème} - 4 ^{ème} semaine exposition	3 ^{ème} - 7 ^{ème} semaine exposition	4 ^{ème} - 11 ^{ème} semaine exposition	15 ^{ème} semaine exposition	
I - hypersensible	NON CONSEILLE	NON CONSEILLE	NON CONSEILLE	NON CONSEILLE	NON CONSEILLE	NON CONSEILLE
II - sensible	3 Min.	7 Min.	15 Min.	20 Min.	20 Min.	20 Min.
III - moyenne	3 Min.	7 Min.	15 Min.	20 Min.	20 Min.	20 Min.
IV - brune	3 Min.	10 Min.	15 Min.	20 Min.	20 Min.	20 Min.
V - brun foncé	3 Min.	10 Min.	15 Min.	20 Min.	20 Min.	20 Min.

DANGER DE RADIATION AUX RAYONS ULTRAVIOLETS
Suivre les instructions suivantes: Eviter la surexposition comme au soleil. La surexposition peut provoquer des lésions aux yeux comme à la peau ainsi que des réactions allergiques. Une surexposition peut avoir pour effet un vieillissement prématuré de la peau de source cancérogène.
Le temps d'exposition maximum est de 20 minutes.

<p>Portez des lunettes protectrices! Ne pas le faire peut provoquer des brûlures sévères et occasionner des lésions (irréversibles) aux yeux. Certains médicaments ou produits cosmétiques peuvent également augmenter votre sensibilité aux rayons ultraviolets. Si vous prenez des médicaments ou si vous pensez être particulièrement sensible à une exposition au soleil, veuillez consulter un médecin avant toute exposition aux rayons ultraviolets. Notez scrupuleusement l'origine de vos problèmes de peau si vous êtes spécialement sensible aux rayons du soleil. Si vous ne bronzez pas au soleil, vous ne bronzeriez probablement pas avec cet appareil!</p>	<p>Cette unité utilise des lampes UVA. Remplacez les uniquement avec GENESIS HPR20 FR71-T12-BA-120W, GENESIS HPR20 F10-T5-VHP-JVB-15W (bronzage pour visage), Ergoline ULTRA C-12645 (haute pression/ bronzage pour visage) ou autres lampes reconnues équivalentes. Pour obtenir la distance minimum recommandée d'exposition de 13mm mesurée à l'aide d'une règle usuelle, allongez-vous sur la banquette acrylique et rabattez le couvercle. Le couvercle s'arrêtera à la distance correcte de la surface de la banquette acrylique.</p> <p>Attention: l'utilisation de toute autre position peut provoquer une surexposition.</p>
---	--

<p>Le bronzage peut débuter sur une base d'expositions régulières. L'apparition du bronzage se fait remarquer normalement après quelques expositions et au maximum 4 semaines suivant l'exposition selon le tableau ci-dessus pour chaque type de peau. Afin de procurer et conserver un bronzage minimum, deux séances de 20 minutes au maximum par semaine sont recommandées à partir de la cinquième semaine.</p> <p>NE PAS BRONZER DEUX FOIS DANS UN JOUR, SEULEMENT BRONZER UNE FOIS DANS UNE 24 PÉRIODE D'HEURE.</p>	<p>Utiliser des lunettes protectrices, super sunnies, lorsque l'équipement est en fonctionnement. Lire attentivement et suivre les instructions du petit manuel avant d'utiliser le produit. Afin d'éviter une décharge électrique lors du service de maintenance, veuillez à déconnecter l'appareil du courant électrique. Ce produit est dans la conformité avec les normes d'exécution pour les produits de lampe à bronzer sous 21 CFR 1040, FDA.</p> <p>Part No: 1008187-00-</p>
---	---

2 Généralités

2.1 Définitions

Exploitant (du studio)

Toute personne proposant l'usage du solarium à des fins lucratives.
L'exploitant est responsable du bon fonctionnement du solarium et du respect de la périodicité qui a été fixée pour la maintenance.

Utilisatrice ou utilisateur

Toute personne qui utilise le solarium dans les locaux commerciaux.

Personnel

Toutes les personnes qui sont chargées de faire fonctionner, de nettoyer et d'entretenir le solarium et d'apprendre aux utilisateurs le fonctionnement de l'appareil.

Electricien

Personne qui a suivi une formation professionnelle, qui a des connaissances et une expérience suffisantes pour identifier et prévenir les risques provenant de la manipulation des sources et des conducteurs électriques.

Personnel qualifié autorisé et formé

Personnel qualifié d'une société externe qui a été formé et autorisé par le fabricant pour effectuer les travaux d'assemblage et de maintenance des différents solariums.

2.2 Identifiez votre solarium

Veillez noter le numéro de série de votre solarium lorsque vous contactez le service après-vente, voir page 24.

3 Notes relatives à la sécurité

3.1 Description des pictogrammes d'avertissement

Avertissements danger, risques de blessures corporelles :



DANGER !

DANGER !

Type et source de danger, par ex. "DANGER – haute tension !"

Description des conséquences, par ex. " Danger de mort ou de blessures des suites d'un choc électrique ! "

Protection :

- Débranchez l'appareil de l'alimentation secteur avant l'ouverture.
 - N'intervenez pas à l'intérieur quand l'appareil est sous tension.
-

Avertissements danger, risques de blessures corporelles :



AVERTISSEMENT !

AVERTISSEMENT !

Type et source de danger, par ex. "Avertissement – surface chaude !"

Description des conséquences, par ex. "Risque de brûlures aux mains (peau, visage) !"

Protection :

- Ne touchez pas les pièces chaudes et les surfaces avoisinantes.
 - Attendez que les pièces et les surfaces chaudes soient refroidies.
-

Avertissement risques de dommages matériels :



ATTENTION !

Le mot "ATTENTION" sur cette étiquette indique un danger potentiel pour les équipements, le matériel et l'environnement.

Information importante :



REMARQUE :

Cette icône ne constitue pas un avertissement de mise en garde ; elle attire l'attention sur les informations pour mieux comprendre les fonctionnalités du solarium.

3.2 Instructions relatives à un risque d'incendie, de choc électrique et de blessures



DANGER !

DANGER – HAUTE TENSION !

Danger de mort ou de blessures des suites d'un choc électrique !

Le montage et les branchements électriques doivent être effectués conformément aux réglementations nationales et locales.

- Seul le personnel formé et instruit à cette fin peut assembler, installer, mettre à niveau et réparer le solarium.



AVERTISSEMENT !

AVERTISSEMENT – RAYONS ULTRAVIOLETS !

Un bronzage sans protection peut entraîner des blessures et des altérations des yeux.

L'œil non protégé peut subir une inflammation en surface avec, dans certains cas, un endommagement de la rétine par suite d'un rayonnement excessif. Une exposition fréquente aux rayons peut provoquer la cataracte.

- **Informez les utilisateurs sur la nécessité de porter les lunettes de protection contre les UV figurant dans la livraison.**



AVERTISSEMENT !

AVERTISSEMENT – RAYONS ULTRAVIOLETS !

Respecter les instructions.

L'absence de protection avec les lunettes appropriées peut entraîner des brûlures graves et des altérations des yeux. Si des troubles oculaires apparaissent, cessez d'utiliser le solarium et consultez l'ophtalmologiste.

- Les personnes qui ne bronzent pas à la lumière du soleil ont tendance à ne pas bronzer avec le solarium. Les personnes ayant une peau très sensible (peau de type I) ne doivent pas utiliser le solarium car dans leur cas, le bronzage s'accompagne d'altérations (par ex. coups de soleil).
- Les personnes souffrant d'un coup de soleil aigu, qui ont eu ou ont un cancer de la peau, qui présentent un risque élevé de cancer de la peau ne doivent pas utiliser le solarium.
- Les appareils à rayons UV ne doivent pas être utilisés sans avis favorable du médecin dans le cas où des effets indésirables apparaissent dans les 48 heures après la première séance de bronzage, par exemple des démangeaisons.
- Le solarium ne doit jamais être utilisé quand un panneau filtrant manque ou est endommagé, ou quand la minuterie ne fonctionne pas !
- La lumière UV du soleil ou d'un système quelconque à rayons UV peut provoquer des dommages pour la peau et les yeux. L'effet biologique de ces rayons dépend de la sensibilité de la peau des sujets, de la nature et de l'intensité des rayons UV.

- Comme avec les rayons du soleil, une surexposition peut causer des dommages des yeux et de la peau, ainsi que des allergies.
- Une exposition répétée peut entraîner un vieillissement anticipé et un cancer de la peau.
- Les onguents médicaux et les produits cosmétiques appliqués sur la peau peuvent accroître la sensibilité à la lumière UV.

Les personnes qui ont eu des problèmes de peau doivent consulter le médecin avant d'utiliser le solarium.



AVERTISSEMENT – RAYONS ULTRAVIOLETS !

Danger de conséquences durables.

AVERTISSEMENT !

- Evitez toute surexposition.
 - Les personnes âgées ne doivent pas utiliser le solarium.
 - Les nourrissons et les enfants en bas âge jusqu'à 7 ans ne doivent pas utiliser le solarium.
 - Ce qui suit concerne les mineurs de moins de 18 ans : n'utilisez les solariums qu'avec l'autorisation d'un parent ou d'un tuteur, ou après avoir consulté un médecin. Vérifiez quelles sont les dispositions légales et réglementaires sur le bronzage des mineurs !
 - Bien qu'il n'existe pas de symptôme clinique immédiat des suites de l'exposition aux UVA et de ses effets sur les femmes enceintes, il est fortement recommandé de déconseiller l'utilisation du solarium à ces femmes.
-



AVERTISSEMENT – RISQUE D'INFECTION !

Les infections peuvent être transmises par contact de la peau.

AVERTISSEMENT !

Après chaque séance de bronzage, tous les éléments et composants avec lesquels l'utilisateur peut entrer en contact pendant la séance de bronzage, doivent être désinfectés :

- les lunettes de protection,
- la banquette acrylique,
- le panneau de fonctionnement et de commande,
- le câble MP3.

Afin d'obtenir une désinfection satisfaisant aux critères d'hygiène, utilisez un agent de désinfection spécialement mis au point à cet effet.



REMARQUE :

Les personnes utilisant le solarium pourront noter occasionnellement de légères rougeurs de la peau – normalement par petites taches – après la deuxième ou la troisième séance. Ces rougeurs s'accompagnent fréquemment de démangeaisons. Ceci ne peut être rien d'autre qu'une inflammation due à la chaleur dégagée par les lampes dans l'appareil. Elle est en règle générale très limitée et causée par le contact constant de la peau et de la surface acrylique. Elle disparaît normalement au bout d'environ 24 heures et ne réapparaît pas. Cette éruption peut être réduite

ou empêchée par l'application d'une lotion hydratante sur la zone affectée une fois la séance de bronzage terminée.

- Respecter les instructions.
- L'intervalle entre deux séances de bronzage doit être d'au moins 24 heures.
- L'intensification du bronzage nécessite l'allongement de la durée d'exposition (c'est-à-dire de la durée de radiation) ; après avoir atteint un certain degré de bronzage, toute intensification devient impossible. Toutefois la durée d'exposition au rayonnement ne doit pas être prolongée sans considération à l'intérieur des limites de rayonnement tolérable. En conséquence, les sujets ne peuvent parvenir qu'à un certain degré de bronzage en fonction de leur type de peau, sans risque pour leur santé.
- Informez les utilisateurs sur les modalités d'un bronzage correct.

3.3 Instructions relatives à un risque de dommage matériel



ATTENTION – RISQUE DE SURCHAUFFE !

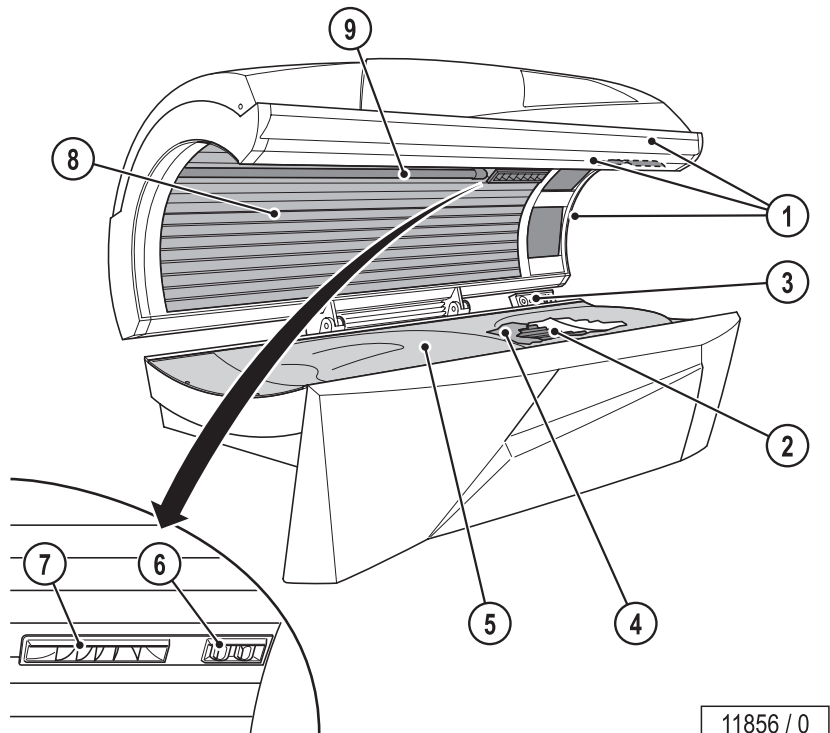
Risque de surchauffe par obstruction des canaux d'alimentation en air.

- Ne modifiez, bouchez ou bloquez pas l'entrée et la sortie d'air vers l'appareil et ne procédez à aucune transformation non autorisée de l'appareil. Le constructeur décline toute responsabilité pour les dommages ou les blessures susceptibles d'en résulter.
- Avant de mettre en service le solarium, éloignez la palette de transport qui se trouve sous l'appareil. Risque de surchauffe par obstruction des canaux d'alimentation en air.

4 Description

4.1 Description du solarium

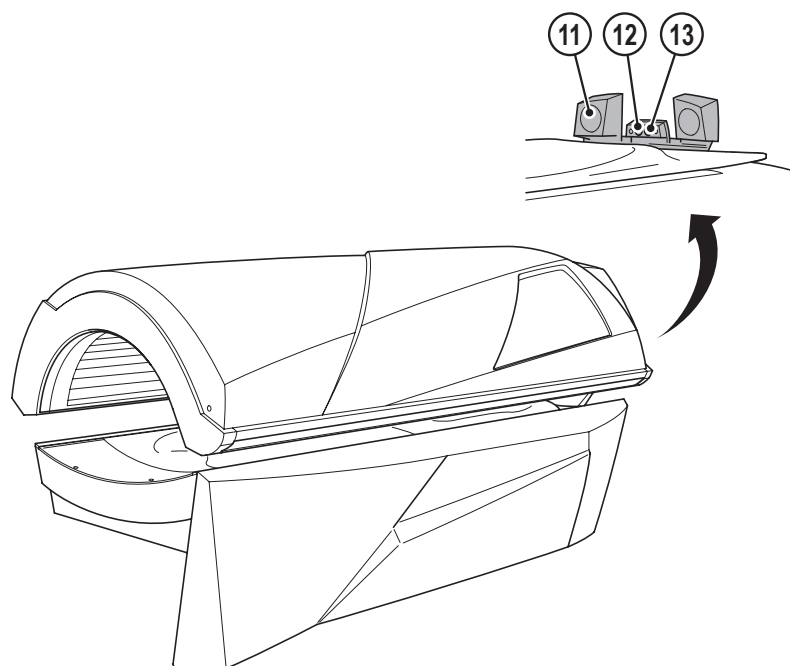
XS 35/3 SUPER POWER



11856 / 0

1. Bronzeur facial (3 lampes UV haute pression)
2. Lampes UV basse pression, partie inférieure
3. Panneau de commande
4. Panneau intermédiaire (uniquement sur les solariums à air conditionné)
5. Enveloppe acrylique, partie inférieure
6. Tuyères d'air ajustable pour le rafraîchissement du visage
7. Tuyères d'air pour le rafraîchissement du coeops
8. Lampes UV basse pression, partie supérieure
9. Eclairage intérieur

4.2 Accessoires (option)



11855 / 0

11. Système audio (Stereo Sound System PLUS ou Stereo Sound System)
12. Raccordement d'écouteurs (uniquement en liaison avec Stereo Sound System PLUS)
13. Raccordement MP3 (uniquement en liaison avec Stereo Sound System PLUS)

4.3 Description fonctionnelle

Le principal composant technique du solarium est une source artificielle de rayons UV, différents filtres et réflecteurs, une structure mécanique présentant une surface active de caractéristiques déterminées.

Les résultats du bronzage varient en fonction de l'intensité de rayonnement du solarium. Cela est dû, d'une part, à l'intensité variable des lampes UV, et, d'autre part aux proportions variables de UV-A et de UV-B dans les rayons UV. Les rayons UV-A sont responsables d'un bronzage superficiel rapide, intense, qui a tendance à se décolorer rapidement, alors que les rayons UV-B donnent un bronzage de plus longue durée. Les rayons UV-B présentent cet inconvénient que le bronzage n'apparaît que un ou deux jours après la séance de bronzage. Vous choisirez le solarium en fonction des résultats que vous souhaitez pour le bronzage.

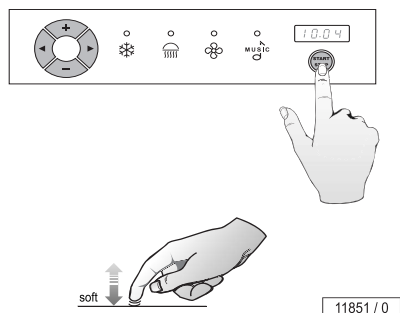
Le solarium que nous décrivons ici a pour rayonnement primaire des rayons UV-A ; il est équipé de lampes UV-B supplémentaires (lampes de valeur UV basse pression sur le bronzeur facial).

5 Fonctionnement

5.1 Aperçu du fonctionnement

5.1.1 Navigation

Le solarium est commandé sur l'anneau de navigation



Connecter les lampes UV :

- Appuyer une fois sur le bouton.

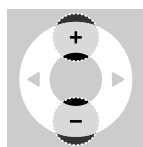
Déconnecter les lampes UV et interrompre momentanément le bronzage :

- Presser sur le bouton un certain temps.



Sélectionner la fonction du solarium (sauter sur le pictogramme)



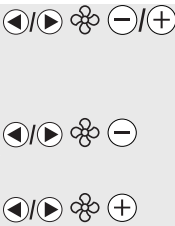


MUSIC par ex. MUSIQUE



Régler l'intensité, activer la fonction qui a été sélectionnée.

Les fonctions disponibles et l'anneau de navigation sont allumés par défaut après le démarrage du solarium. Après sélection d'une fonction, la DEL qui y est affectée et l'anneau de navigation clignote pendant quelques secondes. Les réglages peuvent être modifiés pendant cet intervalle de temps.

5.2 Fonctions

Fonction	Fonctionnalités du bouton	Description	Information
1. Lampes UV		START/STOP Connecte et déconnecte les lampes pendant le bronzage	Après arrêt des lampes UV pendant le bronzage, le décompte de durée de la séance de bronzage continue.
3. Musique		Interne : Réglage du volume sonore, niveaux 0 à 14 Externe : Lecteur MP3	Accessoires en option disponibles uniquement pour Stereo-Sound et Stereo-Sound PLUS. Voir page 15
4. Rafraîchissement du corps et rafraîchissement du visage		Commande de rafraîchissement, niveaux 1 à 5 Déconnecter le rafraîchissement <input type="text" value="OFF"/> Connecter le rafraîchissement <input type="text" value="ON"/>	 Le jet d'air pour le rafraîchissement du visage peut être ajusté à la main.
5. Bronzeur facial		Déconnecter le bronzeur facial <input type="text" value="OFF"/> Connecter le bronzeur facial <input type="text" value="ON"/>	1 minute jusqu'à la puissance maximale.

5.3 Démarrer

Le solarium démarre automatiquement sur une minuterie interne ou externe.



REMARQUE :

Les instructions de réglage de la minuterie figurent dans le manuel séparé (n° de référence 0070923801-..).

5.3.1 Durée de préparation



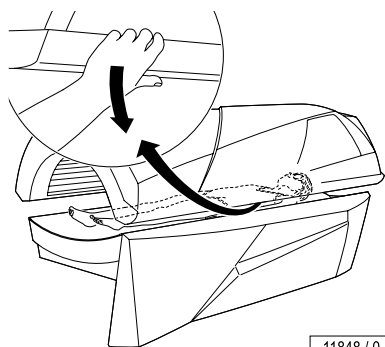
AVERTISSEMENT !

AVERTISSEMENT !

Les erreurs de préparation peuvent provoquer une surexposition !

Pour vous placer à la position d'exposition recommandée d'une distance minimale de 1/2" (13 mm), mesurée avec une règle normale :

- Allongez-vous sur la surface acrylique de la banquette et descendez la partie supérieure. La partie supérieure s'arrête automatiquement à la distance correcte de la surface acrylique de banquette.



Avant que les lampes UV s'allument, vous disposez de quelques minutes pour vous préparer. Pendant la durée de préparation, vous pouvez connecter n'importe quand les lampes UV en appuyant sur le bouton START/STOP.

- Retirez vos vêtements et tous les bijoux et parures.
- Démaquillez-vous et éliminez tous les autres produits cosmétiques.
- Retirez vos lunettes. Les lentilles de contact peuvent rester sous les lunettes de protection.
- Mettez les lunettes de protection.
- Allongez-vous sur la banquette.
- Fermez la partie supérieure.
- Appuyez sur le bouton START/STOP.

Réglages pendant le démarrage :

- Lampes UV
- Bronzeur facial
- Rafraîchissement
- Stereo Sound System PLUS (option)
- Air conditionné (option)

5.3.2 Interruption et fin de la séance de bronzage

La séance de bronzage cesse automatiquement après écoulement du temps qui a été réglé. Le ventilateur interne continue de fonctionner pendant environ trois (3) minutes pour obtenir un refroidissement suffisant du solarium.

- Pour interrompre la séance de bronzage, appuyer sur le bouton START/STOP à n'importe quel moment pendant la séance.
- Appuyer une nouvelle fois sur le bouton START/STOP pour redémarrer les lampes.

5.4 Connecter le lecteur MP3



AVERTISSEMENT !

AVERTISSEMENT !

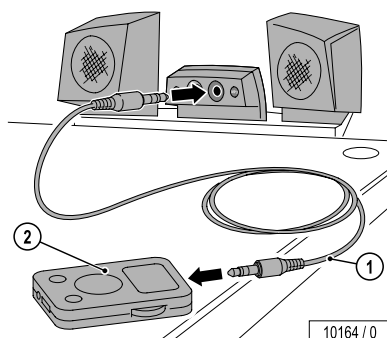
Risque de troubles de l'ouïe !

L'utilisation d'écouteurs ou d'un casque d'écoute peut provoquer une altération durable de l'ouïe si le volume est trop fort.

Toute manipulation incorrecte peut endommager l'appareil, voire le rendre inutilisable.

- Veillez à ce que le volume sonore ne soit pas trop intense.

Les clients du studio peuvent connecter leur lecteur MP3 personnel sur l'appareil si celui est équipé de l'accessoire "Stereo Sound System PLUS".



10164 / 0

- 1 Cavalier (n° de pièce JK # 4630911001-..) fourni par l'exploitant du studio (cavaliers stereo 2 x 3,5 mm).
- 2 Connecter le lecteur MP3 : Voir la documentation du fabricant du lecteur MP3.

La musique trop forte indispose les autres utilisateurs du studio !

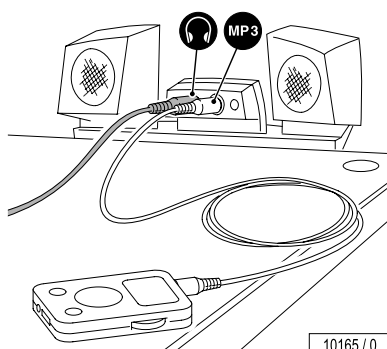
- Si nécessaire, utilisez un casque.

Connecter :

- Enfoncez le câble MP3 (cavalier stéréo) dans la fiche du Stereo-Sound system PLUS.
- Enfoncez le câble MP3 dans le lecteur MP3.
- Sélectionnez le ou les titres de musique et démarrez le lecteur MP3 en fonction des instructions afférentes.

Si l'enceinte sonore ne diffuse pas de musique :

- Augmentez le volume sonore sur le lecteur MP3 jusqu'à ce que le signal musical commute automatiquement sur Stereo-Sound system PLUS.
- Réglez l'intensité du solarium sur le niveau que vous souhaitez.



10165 / 0

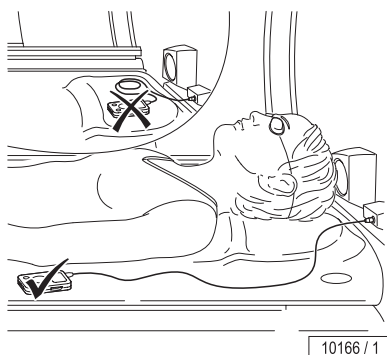
ATTENTION !

La chaleur peut endommager votre lecteur MP3.

Placez l'appareil de manière qu'il ne soit pas exposé direction aux rayons de bronzage.

Risque de détachement du câble et d'endommagement des connecteurs.

- Veillez à ne pas détacher le câble lorsque vous déconnectez le lecteur MP3.

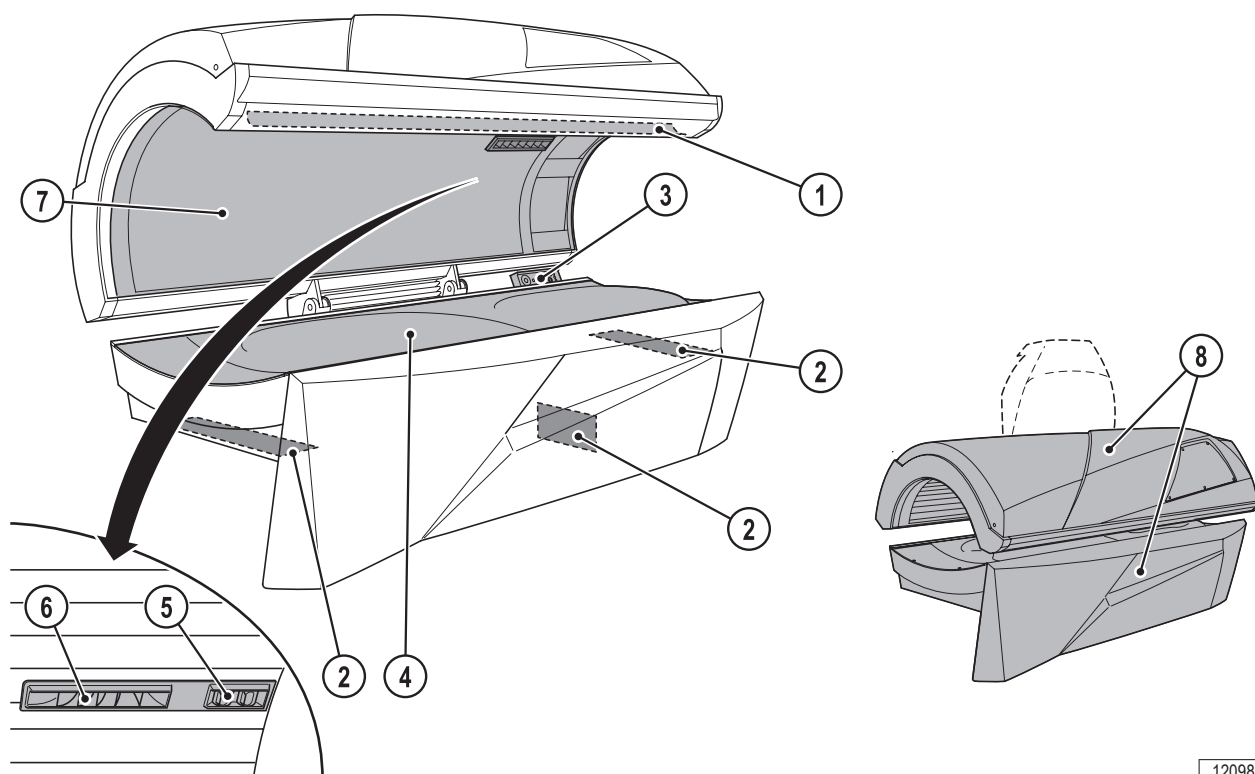


10166 / 1

6 Nettoyage et maintenance

Les travaux de nettoyage et de maintenance sont décrits dans les Instructions de service, 1^{er} partie and maintenance (1006322).

6.1 Plan de nettoyage



12098 / 0

Composant	Périodicité	Opération	Voir chap. ¹⁾
1 Poignée	X	Nettoyer et désinfecter	4.3
3 Élément de commande	X		
4 Partie inférieure	X	Nettoyer et désinfecter	4.3
5 Tuyères d'air ajustables	X	Nettoyer et désinfecter	4.3

Après chaque séance de bronzage
Si nécessaire
Toutes les 50 h

Composant	Périodicité			Opération	Voir chap. ¹⁾
	Après chaque séance de bronzage	Si nécessaire	Toutes les 50 h		
Lunettes de protection	X			Nettoyer et désinfecter	4.3
Câble MP3.	X			Nettoyer et désinfecter	4.3
6 Tuyères d'air		X		Nettoyer	4.3
7-8 Surfaces		X		Nettoyer	4.3

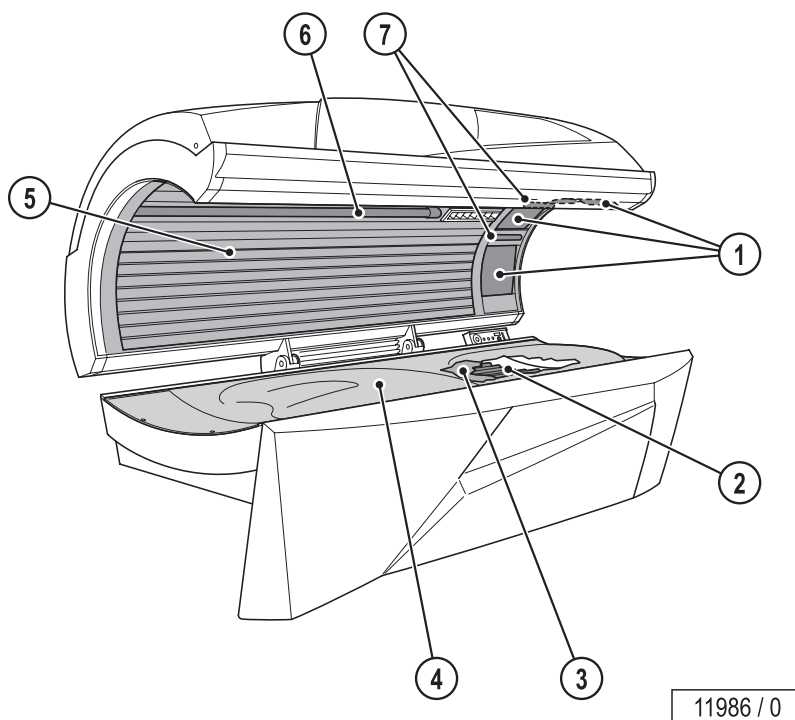
1) Voir Instructions de service, 1^{er} partie (1006322) :



REMARQUE :

Après chaque séance de bronzage, le nettoyage sera confirmé en appuyant sur le bouton START/STOP (lorsque la durée de refroidissement par le ventilateur principal est terminée).

6.2 Plan de maintenance



11986 / 0

Composant	Périodicité	Opération	Voir chap. ¹⁾
	Toutes les 500 h		
	Toutes les 1000 h		
	Toutes les 1500 h		
	Toutes les 3000 h		
1 Lampes UV haute pression	X	Changer	4.10
2 Lampes UV basse pression partie inférieure	X	Changer	4.9
5 Lampes UV basse pression partie supérieure	X	Changer	4.10
7 Lampes UV basse pression bronzeur facial	X	Changer	4.10
2 Starters	X	Changer	4.9
5 Starters	X	Changer	4.10
6 Starters	X	Changer	4.11
7 Starters	X	Changer	4.12

4	Base acrylique	X	Changer	4.5.1
1	Panneaux filtrants lampes UV haute pression)	X	Changer	4.10

1) Voir Instructions de service, I^e partie (1006322) :

7 Caractéristiques techniques

7.1 Puissance nominale, spécifications électriques et niveau sonore

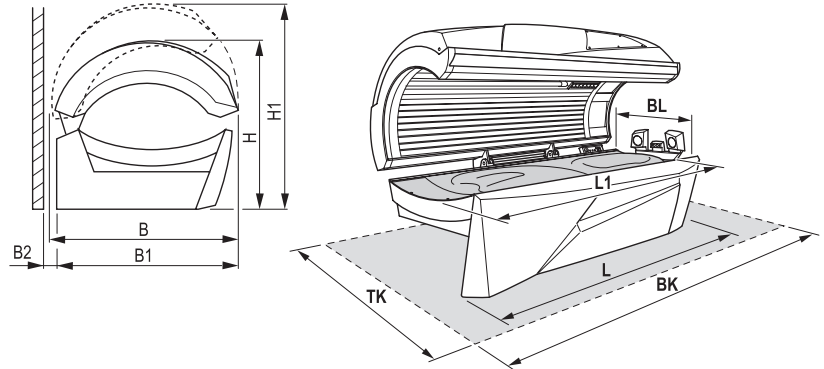


Label de conformité (voir la plaque signalétique, page 24).

PASSION 40/3 TURBO POWER

Puissance nominale	
sans air conditionné :	7000 W
avec air conditionné :	–
Fréquence nominale :	60 Hz
Tension nominale :	230 V
Capacité nominale des fusibles :	40 Amp. 3 pôles ou 60 Amp. 2 pôles
Câble d'alimentation :	
Niveau sonore à 1 m du solarium :	66,0 dB(A)
Niveau sonore dans le solarium :	< 81 dB(A)
Charge sur la base acrylique :	max. 334 livres / 150 kg
Poids :	728 livres / 330 kg

7.2 Dimensions



11806 / 0

B =	47 4/16"	1200 mm
B1 =	30 11/16"	780 mm
H =	48 7/16"	1 230 mm
H1 =	62 3/16"	1580 mm
L =	84 10/16" (sans Sound System)	2150 mm (sans Sound System)
L =	88 9/16" (avec Sound System)	2250 mm (avec Sound System)
L1 =	84 10/16"	2150 mm
BK =	94 1/2"	2400 mm
TK =	90 9/16"	2300 mm

7.3 Configuration des lampes

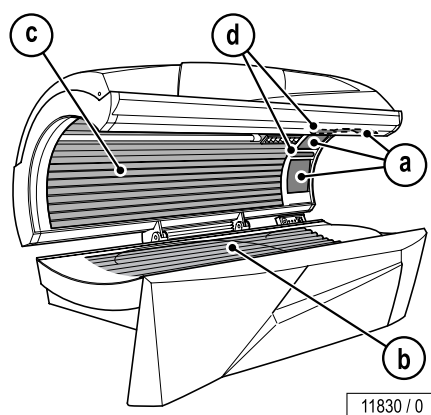
ATTENTION !



L'utilisation de lampes UV et de panneaux filtrants autres que ceux du fabricant entraîne la perte de la licence d'exploitation !

Les lampes UV haute pression installées sont des lampes à bande large de radiation pouvant être adaptées sur différentes puissances (environ 240 à 400 W).

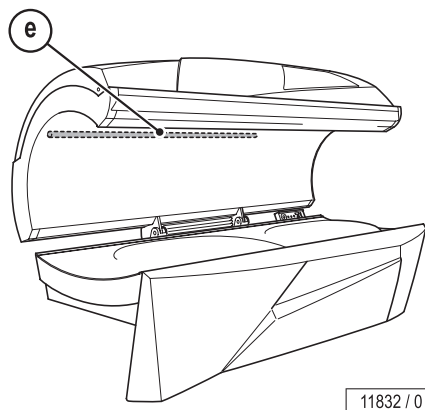
7.3.1 XS 35/3 SUPER POWER



Lampes installées

	N°	Désignation de lampe, de starter, de panneau filtrant	Longueur	Niveau de puissance	Déclenchement	N° de référence
a)	3	Lampes UV haute pression Ergoline ULTRA C-12645		520 W	400 W / 0 W	12645-..
	3	Panneau filtrant Ultra Performance				1504566-..
b)	16	Lampes UV basse pression GENESIS HPR20 FR71-T12-BA-120W	71 in 1,80 m	120 W	120 W	1504557-..
	16	Starter 160 W				1004929-..
c)	18	Lampes UV basse pression GENESIS HPR20 FR71-T12-CA-120W	71 in 1,80 m	120 W	120 W	1504558-..
	18	Starter 160 W				1004929-..
d)	2	Lampes UV basse pression GENESIS HPR20 F10-T5-VHP-UVB-15W		15 W	15 W	1504564-..
	1	Starter S2				10013-..

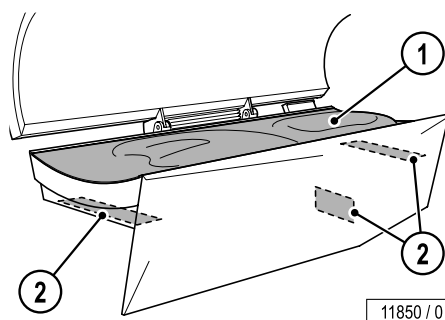
7.3.2 Eclairage décoratif



11832 / 0

N°	Désignation de lampe, de starter	Puissance	N° de référence
e)	1 Lampe basse pression bleue	36 W	12969-..
	1 Starter S10		10047-..

7.4 Pièces de rechange et accessoires



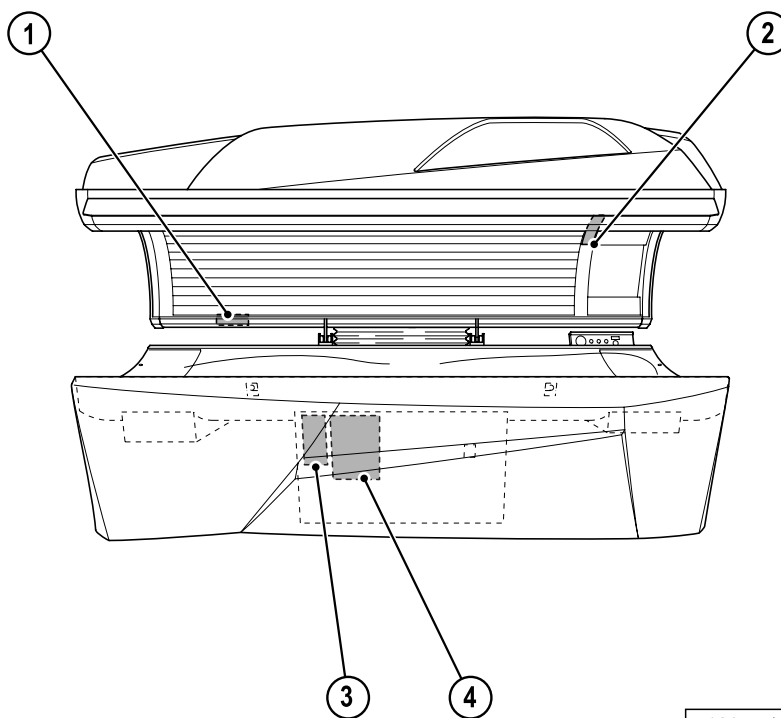
11850 / 0

N°	Désignation	N° de référence
①	1 Base acrylique	1503569-..
②	3 Filtre	55567-..

8 Appendice


8.1 Plaques et autocollants sur le solarium

Les plaques attirant l'attention sur les zones dangereuses sont solidaires du solarium. Les plaques ci-dessous sont des exemples. Assurez-vous que les plaques d'instructions sont toujours identifiables clairement et facilement lisibles.



12077 / 0

1 Plaque signalétique

JK Products and Services, Inc. #1 Walter Kratz Dr. Jonesboro, AR 72401 1.800.SUNDASH		MODEL NO.
 ETL LISTED PORTABLE SUN/HEAT LAMPS	SERIAL NO.	
	INTERTEK TESTING SERVICES NA INC. CORTLAND, NEW YORK, 13045	
DATE MANUFACTURED	A/C VOLTS	A/C LAMPS
[]	0 0	[]
THIS PRODUCT IS IN CONFORMITY WITH PERFORMANCE STANDARDS FOR SUNLAMP PRODUCTS UNDER 21 CFR PART 1040:		
CAUTION READ OWNERS MANUAL BEFORE INSTALLING. FOLLOW ALL MANUFACTURER INSTRUCTIONS COMPLETELY AND CAREFULLY. OBSERVE AND FOLLOW ALL CAUTION WARNINGS. INSTALLATION SHOULD ONLY BE COMPLETED BY A QUALIFIED ELECTRICIAN.		

12075 / 0

La plaque signalétique contient des informations importantes pour l'identification du solarium (par ex. le numéro de série = Serial-No.).

2 Autocollants d'avertissement

WARNING-ULTRA VIOLET RADIATION - FOLLOW INSTRUCTIONS - FAILURE TO USE PROTECTIVE EYEWEAR MAY RESULT IN SEVERE BURNS OR OTHER EYE INJURY - IF DISCOMFORT DEVELOPS, DISCONTINUE USE AND CONSULTA PHYSICIAN.

(I) As with natural sunlight, overexposure can cause eye injury and sunburn;

(II) Repeated exposure may cause premature aging of the skin and skin cancer;

(III) Medications or cosmetics applied to the skin, may increase sensitivity to ultraviolet light;

(IV) A person who does not tan in the sun most likely will not tan from the use of this device;

(V) A person having a history of skin problems should consult a physician before use;

(VI) Overexposure should be avoided; and

(VII) Children, the elderly, or fair skinned people who always burn easily and either never tan or tan minimally should not use this equipment.

(VIII) The appliance is not allowed to be used by more than one person at the same time.

ATTENTION - RAYONNEMENTS ULTRAVIOLETS - VEUILLEZ SUIVRE LES INSTRUCTIONS SUIVANTES - SANS DISPOSITIF DE PROTECTION DES YEUX, CE PRODUIT PEUT CAUSER DES BRULURES OU LESIONS OCULAIRES GRAVES - EN CAS DE PROBLEME ARRETER L'UTILISATION ET CONSULTER UN MEDECIN.

(I) Comme avec les rayons solaires naturels, une exposition trop longue peut causer coup de soleil ou brûlure;

(II) Une exposition répétée peut causer un vieillissement prématuré de la peau ou un cancer de la peau;

(III) L'utilisation de certains médicaments ou produits appliqués sur la peau peut accroître la sensibilité aux ultra-violet;


(IV) Les personnes ne bronçant pas au soleil ne le feront probablement pas sur cet appareil;

(V) Toute personne ayant des problèmes de peau doit consulter un médecin avant toute utilisation;

(VI) Eviter toute surexposition;

(VII) Il est conseillé aux enfants, aux personnes âgées ou aux personnes à peau claire ne bronçant pas ou étant très sensibles au soleil de ne pas utiliser cet appareil;

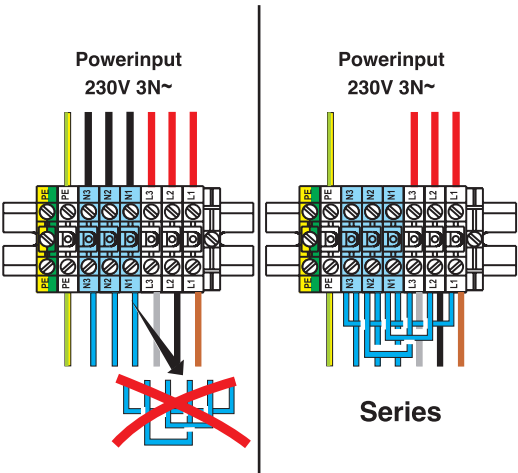
(VIII) L'appareil ne doit être utilisé que par une seule personne à la fois.



801140-01

12076 / 0

3 Autocollant connecteurs principaux USA (1504659-..)



Powerinput 230V 3N~

Powerinput 230V 3N~

Series

1504660-00

⚠ DANGER
HAZARDOUS VOLTAGE.
Contact will cause electric shock!
Disconnect and lock out power before servicing.

⚠ DANGER
TENSION DANGEREUSE.
Tout contact entraînera une décharge électrique! Débrancher et sécuriser l'alimentation électrique avant de procéder à l'entretien.

⚠ PELIGRO
VOLTAJE PELIGROSO.
¡El contacto producirá una descarga eléctrica! Desconectar y bloquear la corriente antes de trabajar.

11995 / 0

L'autocollant est visible après avoir démonté le panneau frontal et retiré la plaque de recouvrement de l'unité de commande.

4 Autocollants unités d'alimentation électrique USA

L'autocollant est visible après avoir démonté le panneau frontal et retiré la plaque de recouvrement de l'unité de commande.

9 Index alphabétique

	A	
Accessoires		11
Anneau de navigation		12
Aperçu du fonctionnement		12
Autocollants d'avertissement		25
Avertissements de sécurité		7
	B	
Blessures		7
	C	
Caractéristiques techniques		20
Choc électrique		7
Connecter le lecteur MP3		15
	D	
Début du bronzage		14
Définitions		5
Description		10
Description du solarium		10
Description fonctionnelle		11
Dimensions		21
Durée de bronzage		4
	E	
Enveloppe acrylique, charge		20
	F	
Filtres		
Périodicité de nettoyage		16
Fonctions		13
	L	
Lampes installées		22
Lampes UV		22
	M	
Maintenance		16
	N	
Nettoyage		16
Niveau sonore		20
Notes relatives à la sécurité		6
Numéros de référence		22, 23
Pièces de rechange		23

P	
Panneau de commande	12
Panneaux filtrants	
Périodicité de maintenance	18
Périodicité de nettoyage	16
Pièces détachées	18
Plan de maintenance	18
Plan de nettoyage	16
Plaque signalétique	24
Plaques et autocollants	24
Puissance consommée	25
Puissance nominale	20
R	
Réglages pendant le démarrage	14
Risque d'incendie	7
S	
Spécifications électriques	20
Starters	22
Surchauffe du solarium	9
T	
Types de peau	4

