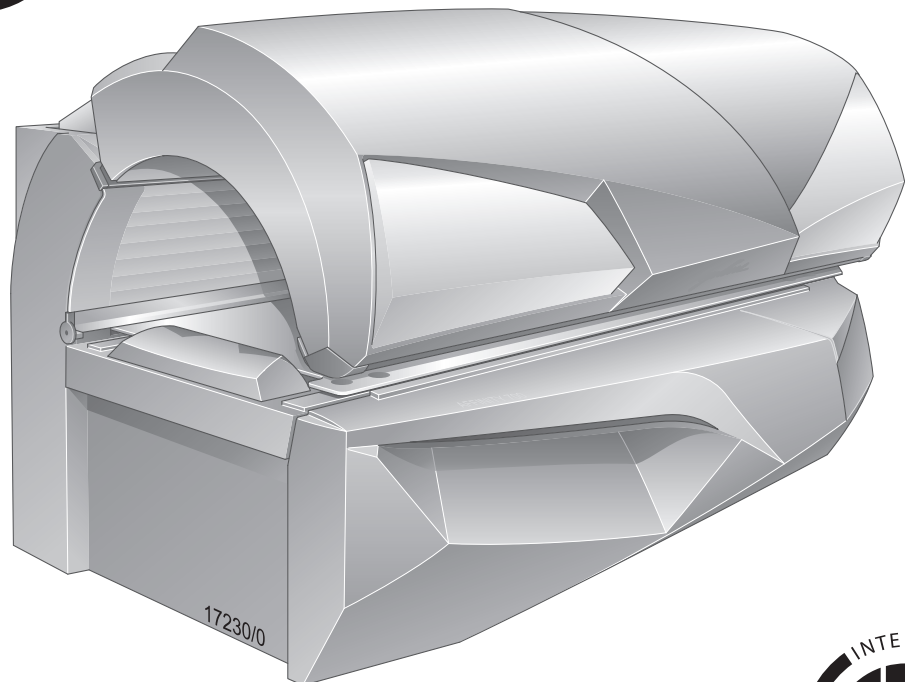


USA

CND

EXPOSURE
12 min
TIME



Operating Instructions

Model-No.: JK 155 / 46-3 (AC)
Ergoline AFFINITY 700 (AC)
Soltron L-70 BUTTERFLY (AC)

Model-No.: JK 155 / 50-4 TT
Ergoline AFFINITY 900 Temptronic
Soltron XL-85 WILDCAT Temptronic

1015420-03 / us / 09.2016

JK | NORTH AMERICA

Ergoline SUNANGEL BEAUTYANGEL soltron

Contact information

Manufacturer JK-Products GmbH



Köhlerhohner Straße
53578 Windhagen
GERMANY

Tel.: +49 (0) 22 24 / 818-140

Fax: +49 (0) 22 24 / 818-166

Customer Service JK Products & Services, Inc.



#1 Walter Kratz Drive
Jonesboro, AR 72401

800-445-0624



870-935-9046

<http://support.jkamerica.com>

WARNING!



WARNING!

Read these operating instructions.

Failure to observe these instructions:

- may result in serious injury and death,
- can result in damage to the device and the environment.
- For the safety of yourself and others, read and observe all instructions contained herein before operating the device.
- Please make the instructions and additional information available to anyone who operates or services the device.

Copyright

The copyright remains with JK-Holding GmbH.

The contents may not be duplicated (in whole or part), distributed or utilized for competition purposes without authorization or disclosed to other parties.

The right to make technical changes in regard to the figures and information contained in this instruction manual is reserved!

1 Table of Contents

2	What certain words and signs mean (Glossary)	6
2.1	Definitions	6
2.2	Warning signs	7
2.3	Symbols on the device	9
3	What this device is	11
3.1	Guidelines	11
3.2	Export	11
3.3	Scope of delivery	11
3.3.1	Optional	11
3.4	Device description	12
3.5	Options	13
3.6	Function description	13
3.7	Transport	14
3.8	Installation location	14
3.8.1	Ventilation	14
3.8.2	Setup location	15
3.8.3	Commissioning	16
3.9	Signs and stickers on the device	17
3.10	Technical data	25
3.10.1	Power rating, electrical specifications and noise level	25
3.10.2	Dimensions	27
3.10.3	Lamp configuration	29
3.10.4	Accent lighting	30
3.10.5	Spare parts	31
4	Why you use it	32
4.1	Intended use	32
4.2	Skin condition	32
5	Who cannot use it	33
5.1	Prohibited usage	33
5.1.1	Tanning system	33
5.1.2	Vibra Shape (vibration plate)	33
6	What you must do to avoid serious harm	34
6.1	General	34
6.2	Tanning system	34
6.3	Sensor	35
7	What you must do to avoid other harm	36
7.1	General	36
7.2	Tanning system	36
7.3	Sensor	36

7.4	Vibra Shape (vibration plate).....	36
7.5	Foreseeable misuse	37
7.6	Obligations of the studio operator.....	37
7.7	Staff training	37
8	Risks of using this device	38
9	Benefits of using this device.....	39
10	How to decide to use this device	40
11	What to do before the treatment	41
12	How to use this device.....	42
12.1	How to set this device up	42
12.2	How to make sure the device works.....	42
12.3	How to use it to treat your condition	42
12.4	How to choose correct treatment regimen.....	42
12.4.1	Skin types.....	42
12.4.2	Tanning times.....	43
12.5	How to operate the device.....	44
12.5.1	Control Center	44
12.5.2	User settings overview	45
12.6	Functions.....	46
12.6.1	Operating panel.....	47
12.6.2	Navigation	48
12.6.3	Description	49
12.7	Operating display of the sensor.....	51
12.8	Selection of the application	51
12.9	Sun Select setting with the outer interface	51
12.10	Measurement (automatic mode).....	51
12.11	Connections	52
12.12	How to use	53
12.12.1	How to start	53
12.12.2	Application tips	54
12.12.3	How to stop	54
12.13	What to do after the treatment.....	54
12.13.1	Cleaning and disinfection	54
12.14	Safety instructions for cleaning/ disinfection and maintenance	55
12.15	How to clean/disinfect	57
12.15.1	Cleaning and disinfection of surfaces.....	58
12.15.2	Cleaning/disinfection plan	59
12.16	How to maintain.....	60
12.16.1	Technical modifications	60
12.16.2	Maintenance plan	60
12.16.3	Cleaning and maintenance work preparation	64
12.16.4	Instructions for replacing the lamps.....	68

12.16.5	Cleaning and disinfection of the sensor	72
12.16.6	Cleaning or replacing UV lamps in the base	72
12.16.7	Cleaning or replacing the UV lamps in the side section	73
12.16.8	Cleaning or replacing UV lamps and filter panels in the canopy	73
12.16.9	Cleaning or replacing the UV lamps in the shoulder tanner	75
12.16.10	Cleaning or replacing the interior lights	75
12.16.11	Cleaning or replacing the canopy accent lighting	75
12.16.12	Cleaning or replacing the front panel accent lighting	75
12.16.13	Cleaning the filters in the base	76
12.16.14	Cleaning the canopy filter mats	77
12.16.15	Cleaning the filter mats in shoulder tanner	77
12.16.16	Air conditioning: Empty the condensation tank and clean the filter	79
12.16.17	AQUA / AROMA SYSTEM maintenance	82
12.17	How to store the device	85
12.17.1	Decommissioning	85
12.17.2	Storage	85
12.17.3	Disposal	85
13	What to do when things go wrong	86
13.1	Troubleshooting	87
14	Where you can find out more	88
15	How we studied this device	89
16	Appendix	90
16.1	Model-No.: JK 155...: EMC information	90
16.1.1	Table 201: Guidelines and manufacturer's declaration – Electromagnetic emissions	90
16.1.2	Table 202: Guidelines and manufacturer's declaration – Electromagnetic interference	91
16.1.3	Table 204: Guidelines and manufacturer's declaration – Electromagnetic interference	92
16.1.4	Table 206: Recommended safe distances between portable and mobile HF communications equipment and Model-No.: JK 155	93
17	JK-Products, Inc. – Limited Warranty	94
17.1	Limited Acrylic Warranty	95
17.2	Warranty Claims	95
17.2.1	Policy & Procedures	95
17.2.2	Labor Warranty Claim/Credit Procedures	96
17.3	Limited Lifetime Warranty	96
18	Index	100

2 What certain words and signs mean (Glossary)

2.1 Definitions

Studio operator

People who provide tanning devices to users on a commercial basis. The studio operator is trained to operate and maintain the device and is responsible for the orderly operation of the device as well as compliance with the maintenance intervals.

User

A person who uses the tanning device at a commercial location.

Staff

People who are responsible for the operation, cleaning/disinfection as well as general maintenance work and who instruct the users in the operation of the devices.

Authorized, trained and qualified staff

Qualified staff from an external company who have been trained and authorized by the manufacturer for assembly and maintenance work with specific devices.

Contraindications

Issues where the risk is always greater than the benefit and there are data supporting the risk and benefit relationship.

2.2 Warning signs

Danger notices, nonobservance will lead to death or serious injury:

 **DANGER!**



DANGER!

Type and source of danger, e.g. 'DANGER – High voltage!'

Description of the consequences, e.g. 'You can be killed or injured by an electric shock!'

Countermeasures:

- Disconnect device from power supply before opening.
- Do not reach into the inside with the device switched on.

Warning notices, nonobservance can lead to death or serious injury.

 **WARNING!**



WARNING!

Type and source of danger, e.g. 'WARNING – hot surface!'

Description of the consequences, e.g. 'You can burn your hand (skin, face)!'

Countermeasures:

- Do not touch hot parts and nearby surfaces.
- Wait until hot parts and surfaces have cooled down.

Warning notices, ultraviolet radiation, nonobservance can lead to serious injury:

 **WARNING!**



Type and source of danger, e.g. 'WARNING – ultraviolet radiation!'

Description of the consequences, e.g. 'You can burn your skin!'

Countermeasures, e.g.:

- Avoid overexposure.

Caution notices, nonobservance can lead to less than serious injury or damage of property.

 **CAUTION!**



Unauthorized lamps!

The word 'Caution' together with the warning sign points out that less than serious injury can be expected here.

Countermeasures:

- Avoid doing this.
- Do that.

NOTICE



ESD-sensitive components!

The word 'NOTICE' without warning sign points out that danger for devices, materials and the environment can be expected here.

Countermeasures:

- Avoid doing this.
- Do that.

Important information:



NOTE:

This symbol does not identify safety notices, but states information for a better understanding of the processes.

2.3 Symbols on the device

The following symbols are displayed on the device:



Manufacturer, production year and month



Type BF applied part¹



Follow Operating Instructions.



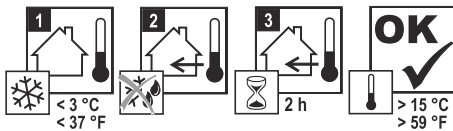
Therefore you must never fill the AQUA SYSTEM canister with tap water or other liquids.



Do not add any liquid that remains in the old canister to the new AQUA SYSTEM canister!



Note the expiration date on the AQUA SYSTEM canister.



Where there are great differences in temperature between the transport route and the installation site the device may not be put into operation immediately after being set up.

Wait at least 2 hours before connecting the device to the power supply.

Maximum transport weight



Do not stack!



This side up.



¹ Devices with physical contact between device and user belong to category BF (body float).



Keep dry.



Temperature limitations.

The temperature limits are noted next to the upper and lower horizontal line.



Recyclable material.



Polystyrene



Cardboard



Mixed paper



Steel



Wood

3 What this device is

3.1 Guidelines

This product is in conformity with the performance standards for sunlamp products under 21 CFR 1040.20, FDA and listed with ETL and CAN/CSA 22.2 No. 224.

3.2 Export

This device is exclusively intended for use in the USA and Canada and may not be exported to other countries and operated there! The manufacturer assumes no liability whatsoever in the event of non-compliance. High liability risks may occur for the exporter and/or the studio operator in the event of noncompliance.

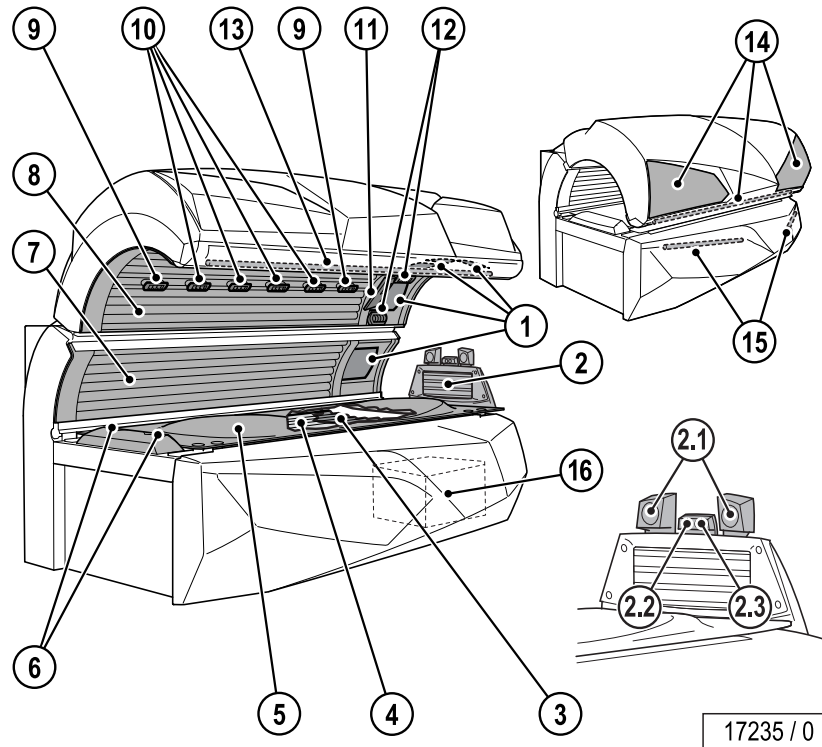
3.3 Scope of delivery

- Tanning device
- Lamps
- Air conditioning system
(Model-No.: JK 155 / 50-4 TT , Model-No.: JK 155 / 46-3 AC)
- Power cord
- Protective goggles
- Suction cup for filter panels
- Allen-key
- Technical documentation (folder with instructions, brochures for error codes and default settings and additional documentation)

3.3.1 Optional

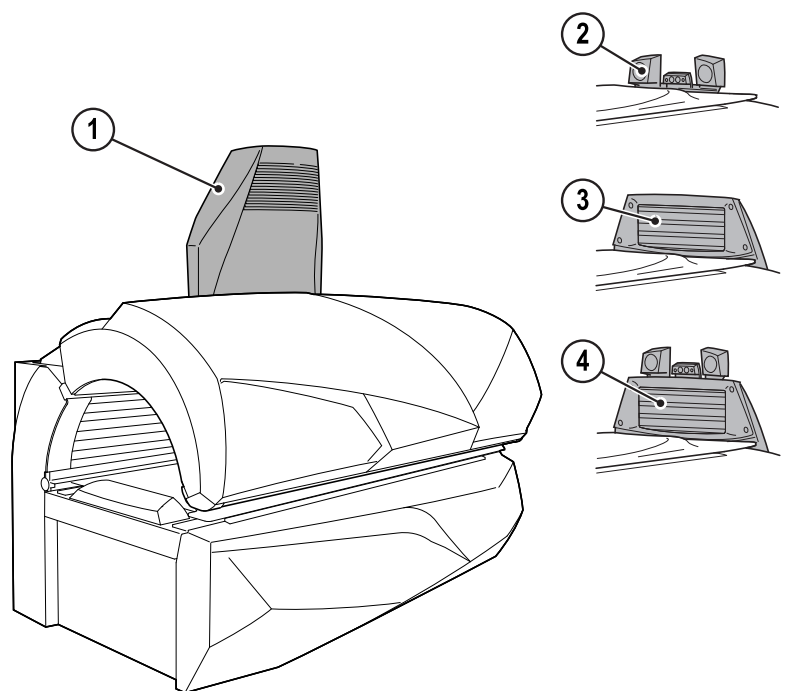
- Audio system (with Voice Guide)
- Shoulder tanner
- Shoulder tanner with audio system (with Voice Guide)
- Central exhaust air socket

3.4 Device description



1. Facial tanner (UV high pressure lamps + UV low pressure lamps)
2. Shoulder tanner with audio system
loudspeaker (2.1), headphone connection (2.2), MP3-connection (2.3)
3. UV low pressure lamps, base
4. Partition (only for devices with air conditioning)
5. Acrylic panel base
6. Body cooling air nozzles, foot end
7. UV low pressure lamps, side section
8. UV low pressure lamps, canopy
9. Air nozzles AQUA / AROMA SYSTEM (Model-No.: JK 155 / 50-4 TT)
10. Body cooling air nozzles
(Model-No.: JK 155 / 46-3 (AC)),
Body cooling air nozzles / nozzles AQUA / AROMA SYSTEM
(Model-No.: JK 155 / 50-4 TT)
11. Operating panel
12. Adjustable air nozzles – Facial cooling/AROMA
13. Interior lighting (LED)
14. Accent lighting, canopy (LED)
15. Accent lighting, front panel (LED)
16. Air condition (only for devices with air conditioning)

3.5 Options



17236 / 0

1. Central exhaust air socket
2. Audio system (with Voice Guide)
3. Shoulder tanner
4. Shoulder tanner with audio system (with Voice Guide)

3.6 Function description

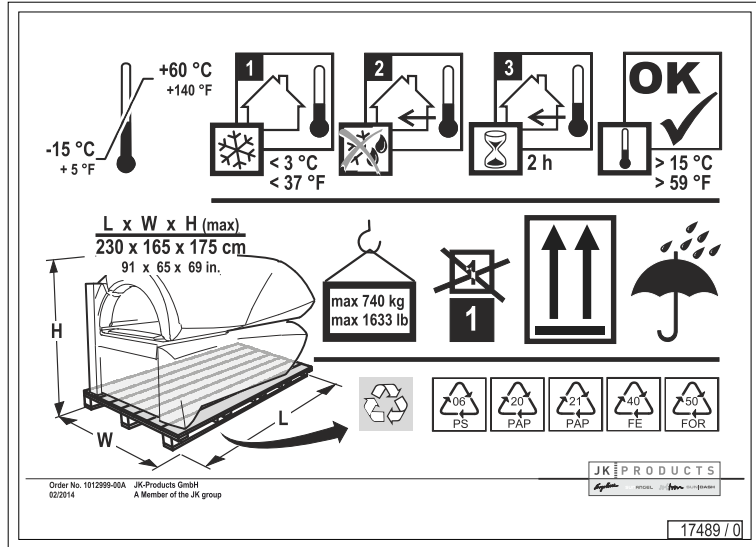
The primary technical components of a tanning device are an artificial source of UV radiation, a variety of filters and reflectors as well as a mechanical structure with a defined active surface.

Different tanning results can be achieved in varying strength tanning devices. This is due to the different strength UV lamps and the different UV-A and UV-B proportions of the UV radiation. The UV-A proportion primarily generates a superficial tan, which appears rapidly and is intensive but also fades more rapidly, the UV-B radiation is primarily responsible for more long-term tanning results. The disadvantage of the UV-B radiation is that the tan does not become visible until one or two days after visiting the tanning salon. Therefore, the appropriate tanning device is to be selected depending on the desired tanning goal.

The tanning devices described here primarily emit UV-A radiation and are equipped with additional UV-B lamps (low pressure UV lamps in the face tanners).

3.7 Transport

Tanning system



3.8 Installation location

You may find detailed information on installation and setting up in the Installation Instructions (see folder Technical Documentation).

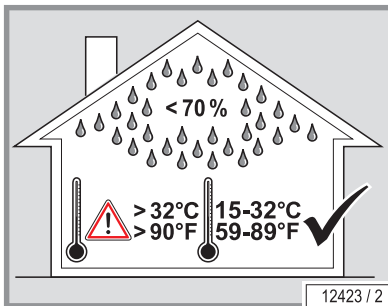
3.8.1 Ventilation

NOTICE

Danger of failure!

Danger of overheating by obstruction of the air routing.

- Observe the ventilation information to avoid serious system malfunctions.



You can obtain data regarding the air supply and ventilation from the customer service department (see page 2).

3.8.2 Setup location

WARNING!



Sudden movements and malfunctions!

Crushing hazard.

- The device is not suitable for operation in mobile facilities (ships, buses, trains). Adaptation of the unit is required in order to guarantee trouble-free operation when used in mobile facilities.

CAUTION!



Danger of overheating by obstruction of the air routing!

Any liability is excluded in case of damage or injury proven to be the result of the use of non-genuine spare parts.

Use of non-compliant lamps voids warranty and risks injury!

- Do not change, obstruct or block the air inflow and outflow area to the device or make any unauthorized changes to the device. The manufacturer shall bear no liability for damage or injuries resulting from such actions.
- Observe the ventilation information to avoid serious system malfunctions.
- Before putting a device into operation, the transport pallet must be removed from under the device. Danger of overheating by obstruction of the air routing.
- Maintain the minimum distances from the walls! Dimensions are given on page 27.
- Only use OEM spare parts of the same type! The use of other parts will void the manufacturer's warranty!

NOTICE

Salty air! Contaminated air!

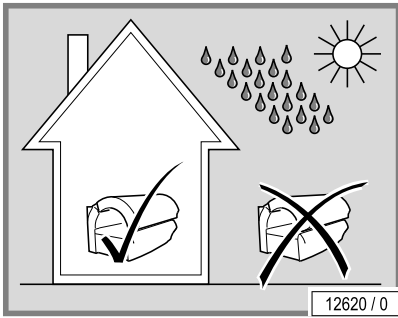
Device damage due to corrosion of the housing and electrical components.

- Do not install the device at swimming pools.
- Do not operate the device in locations with aggressive environmental conditions (e.g. air containing chlorine).

Damage to the device possible!

Where there are great differences in temperature between the transport route and the installation site the device may not be put into operation immediately after being set up.

- Wait at least 2 hours before connecting the device to the power supply.



NOTICE

Damage to the device possible!

The device is not to be used outdoors.

Environmental conditions

- Optimum ambient temperature: Between 59 °F (15 °C) and 77 °F (25 °C)
- Storage temperature: Between 5 °F (-15 °C) and 140 °F (+60 °C)

Please contact the customer service department without fail before putting the device into operation - see page 2.

3.8.3 Commissioning

! DANGER!



Damaged mains power cable!

Danger to persons through electric shock or burns.

- Only the manufacturer or specialist companies are permitted to replace the mains power cable.

Initial commissioning will be undertaken by the manufacturer's own service personnel or by authorized, trained and qualified staff. The device will be handed over ready for use.

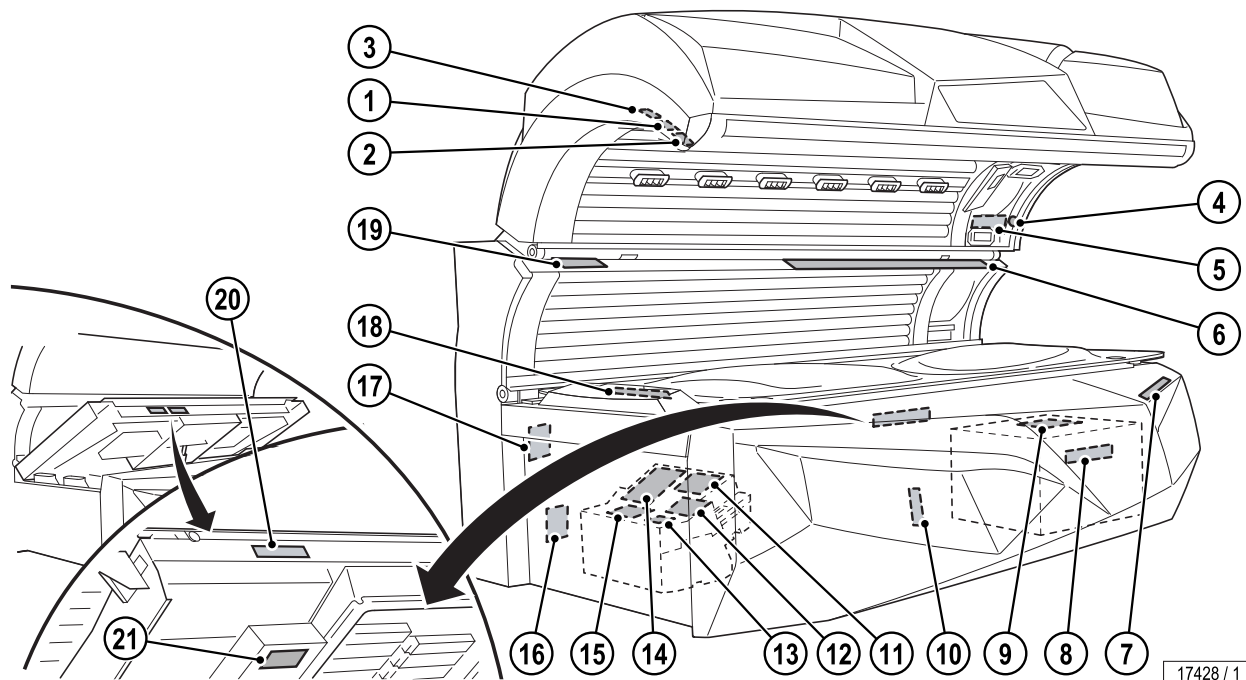
As studio operator you are responsible for abiding by the electrical regulations applicable at the installation site.

The unit incorporates special preventive measures with regard to the electro-magnetic compatibility and must be installed and commissioned according to the EMC instructions obtained from the assembly instructions.

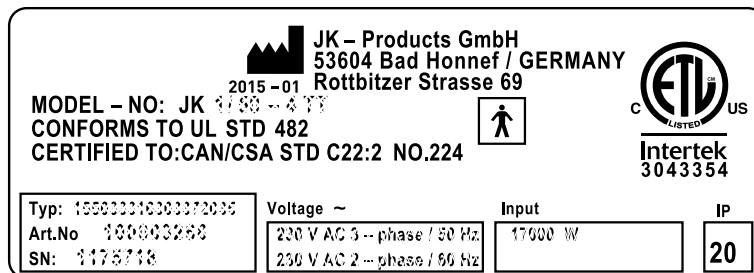
If the device has not been used for a longer period of time, then it must first be inspected by our customer service department or by another authorized company before being put back into operation again.

3.9 Signs and stickers on the device

Signs which warn of danger areas or give important information on components are attached to the device. Ensure that the instruction signs are always clearly recognizable and easily legible. Any missing instruction signs or stickers must be replaced.

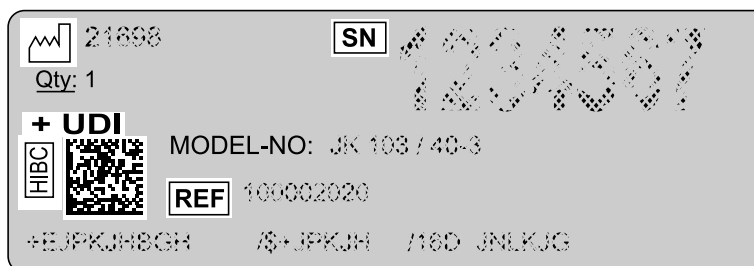


1: Name plate (example)



The name plate is attached to the interior side of the canopy. It contains important information for identifying the device (e. g. the serial number = Serial-No.) and the conformity mark.

2: UDI plate (example)



3: Standards

**THIS PRODUCT IS IN CONFORMITY WITH
PERFORMANCE STANDARDS FOR
SUNLAMP PRODUCTS UNDER 21CFR
PART 1040.20**

17292 / 0

4: Sticker 'Follow Operating Instructions' (1014232-..)



5: Warning sticker UV radiation (801140-..)

WARNING - ULTRAVIOLET RADIATION - FOLLOW INSTRUCTIONS - FAILURE TO USE PROTECTIVE EYEWEAR MAY RESULT IN SEVERE BURNS OR OTHER EYE INJURY - IF DISCOMFORT DEVELOPS, DISCONTINUE USE AND CONSULT A PHYSICIAN.

(I) As with natural sunlight, overexposure can cause eye injury and sunburn;

(II) Repeated exposure may cause premature aging of the skin and skin cancer;

(III) Medications or cosmetics applied to the skin, may increase sensitivity to ultraviolet light;

(IV) A person who does not tan in the sun most likely will not tan from the use of this device;

(V) A person having a history of skin problems should consult a physician before use;

(VI) Overexposure should be avoided; and

(VII) Children, the elderly, or fair skinned people who always burn easily and either never tan or tan minimally should not use this equipment.

(VIII) The appliance is not allowed to be used by more than one person at the same time.

ATTENTION - RAYONNEMENTS ULTRAVIOLETS - VEUILLEZ SUIVRE LES INSTRUCTIONS SUIVANTES - SANS DISPOSITIF DE PROTECTION DES YEUX, CE PRODUIT PEUT CAUSER DES BRULURES OU LESIONS OCULAIRES GRAVES - EN CAS DE PROBLEME ARRETER L'UTILISATION ET CONSULTER UN MEDECIN.

(I) Comme avec les rayons solaires naturels, une exposition trop longue peut causer coup de soleil ou brûlure;

(II) Une exposition répétée peut causer un vieillissement prématuré de la peau ou un cancer de la peau;

(III) L'utilisation de certains médicaments ou produits appliqués sur la peau peut accroître la sensibilité aux ultra-violets;


(IV) Les personnes ne bronçant pas au soleil ne le feront probablement pas sur cet appareil;

(V) Toute personne ayant des problèmes de peau doit consulter un médecin avant toute utilisation;

(VI) Eviter toute surexposition;

(VII) Il est conseillé aux enfants, aux personnes âgées ou aux personnes à peau claire ne bronçant pas ou étant très sensibles au soleil de ne pas utiliser cet appareil;

(VIII) L'appareil ne doit être utilisé que par une seule personne à la fois.



801140-01-

12076 / 1

6: Exposure label

DANGER ULTRAVIOLET RADIATION

Follow instructions. Avoid over-exposure as with natural sunlight. Over-exposure can cause eye and skin injury and allergic reactions. Repeated exposure may cause premature aging of the skin and skin cancer.

MAXIMUM TANNING TIME: 12 MINUTES

Recommended Exposure Schedule					
Skin Type	Week 1 1st - 3rd Treatments	Week 2 4th - 6th Treatments	Week 3 7th - 10th Treatments	Week 4 11th - 15th Treatments	Weekly Subsequent Treatments
I - Sensitive	NOT ADVISED	NOT ADVISED	NOT ADVISED	NOT ADVISED	NOT ADVISED
II - Fair	2 Min.	5 Min.	8 Min.	10Min.	12Min.
III - Average	2 Min.	5 Min.	8 Min.	10Min.	12Min.
IV - Brown	2 Min.	7 Min.	10 Min.	12Min.	12Min.
V - Dark Brown	2 Min.	7 Min.	10 Min.	12Min.	12Min.

<p>WEAR PROTECTIVE EYEWEAR! Failure to do so may result in severe burns or long term injury to the eyes.</p> <p>Certain medications or cosmetics may increase your sensitivity to the ultraviolet radiation. Consult a physician before using sunlamps if you are using medication, have a history of skin problems or believe yourself to be especially sensitive to sunlight. If you do not tan in the sun, you are unlikely to tan from the use of this product.</p>	<p>This unit utilizes UV lamps. Replace only with GENESIS 160W (VHP 12), GENESIS 8W (VHP 12) (low pressure/facial tanner), Ergoline ULTRA 520W (high pressure/facial tanner) or recognized equivalents. To obtain recommended exposure at a minimum distance of 1/2" (13 mm) measured with a standard ruler, lie on acrylic surface of lounge and lower canopy. Canopy will stop at the correct distance from lounge acrylic surface.</p> <p>Warning: The use of any other position may result in overexposure!</p>
--	--

<p>Tanning can begin on a regular basis. An appearance of tanning normally appears after a few exposures and maximizes after four (4) weeks of exposure following the recommended exposure schedule for skin type. In order to provide for maintenance of a tan a maximum of two (2) weekly 12 minute sessions is recommended from the fifth week onward.</p> <p>Do not tan more than once in a 24 hour period.</p>	<p>Use protective eyewear, super sunnies, whenever unit is energized. Read and follow instruction booklet before using this product. To avoid electrical shock during maintenance disconnect power from unit. This product is in conformity with performance standards for sunlamp products under 21 CFR 1040.20, FDA.</p> <p style="text-align: right;">Part No: 1015649-00-</p>
---	---

17298 / 1

The sticker is mounted on the lamp cover foot end.


7: Age warning label (1508746-..)

ATTENTION: THIS SUNLAMP PRODUCT SHOULD NOT BE USED ON PERSONS UNDER THE AGE OF 18 YEARS.

17303 / 0

The sticker is mounted on the front panel.



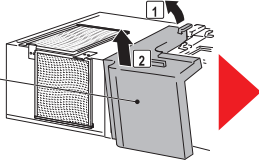
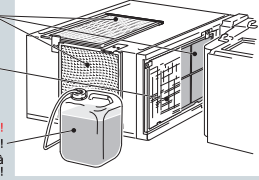
8: Sticker ESD (85662-..)

	<p>ACHTUNG! ESD-empfindliche Bauteile. Vorsichtsmaßnahmen beachten! Arbeiten an den Leiterplatten nur durch geschultes Fachpersonal!</p> <p>CAUTION! Components sensitive to ESD. Observe precautionary measures! The PCBs may only be worked on by specially trained personnel!</p>
---	--

17486 / 0

The sticker is mounted on several places in the device.

9: Air conditioning sticker (1002243-..)

ACHTUNG! Hier oben! Falls Klimagerät gekippt, vor Inbetriebnahme 8 Stunden in Normalstellung stehen lassen, wegen Rücklauf der Kälteflüssigkeit	ATTENTION! This side up! In case air condition unit was toppled over, let it 8 hours in home position before initiation, because of the return of the refrigerant.
	GEFAHR Bei geöffnetem Gerät nicht spannungsfrei! DANGER Voltage is not switched off, when sunbed is opened.
	Regelmäßige Sichtprüfung! Regular visual check! Contrôle visuel régulier! Gefahr von Geräteschäden! Risk of damage to equipment! Risque de détérioration de l'appareil!
Abdeckung entfernen! Remove cover! Éliminer la couverture!	
Filtermatten reinigen! Renew filter mats! Nettoyer les mats filtrants!	
Kühlrippen reinigen! Clean cooling fins! Nettoyer les barres de refroidissement!	
Kondensatbehälter entleeren! Empty condensation container! Vidanger le réservoir à condensation!	

1002243-01-

13435 / 0

The sticker is mounted on the air conditioning.

10: Strap sticker (1000707-..)

JK-Nr.: 1000707-..
<h1><u>Achtung</u></h1> <p>Erdungskabel: Lasche nach Gerätemontage wieder montieren!</p>
<hr/>
<h1><u>CAUTION</u></h1> <p>Ground strap: Refit the strap after unit assembly!</p>
17482 / 0

The sticker is attached to the ground strap.

11: Ballast sticker (800704-..)

BUCHSENANSICHT VORSCHALTGERÄTE-TRÄGER
SOCKETS OF BALLAST TRAY

	Option		
UVB-Lampen GB Oberteil UVB-lamps FT canopy	BU 44		
Lampen Oberteil lamps canopy	BU 62	BU 72	Scheibenschalter Unter- u. Seitenteil limit switch base- and side-acrylic
Lampen Oberteil lamps canopy	BU 63	BU 33	Lampen Unterteil lamps lower part
Lampen Oberteil lamps canopy	BU 64	BU 34	Gesichtsbräuner Seitenteil facial tanner side section
Dekorbeleuchtung Oberteil decor light canopy	BU 65	BU 35	Gesichtsbräuner Oberteil facial tanner canopy
Lampen Seitenteil lamps side section	BU 66	BU 36	Körperlüfter Oberteil u. Zwischenscheibe body ventilation canopy and intermediate acrylic
Lampen Seitenteil lamps side section	BU 67	BU 61	Lampen Oberteil lamps canopy

ACHTUNG!
ESD-empfindliche Bauteile. Vorsichtsmaßnahmen beachten!
Arbeiten an den Leiterplatten nur durch geschultes Fachpersonal!

CAUTION!
Components sensitive to ESD. Observe precautionary measures!
The PCBs may only be worked on by specially trained personnel!

800704-01-
17530 / 0

The sticker is mounted on the controller support.

12: Connection terminal block sticker (1001767-..)

weitere Bus-Teilnehmer
further BUS-subscriber

z.B. / for example:
• Studiopilot, Studiomanager,
• TV-Interface

weitere Bus-Teilnehmer
further BUS-subscriber

z.B. / for example:
• Studiopilot, Studiomanager,
• TV-Interface

Anschluß als Teilnehmer im Bus
"connection as subscriber in the BUS system"

STR4	19
STR3	18
STR2	17
STR1	16

OUT low / ws high / br

IN low / ws high / br

Fremd - Münzer timer- / control system

230V

Lampen 1 lamps
Lampen 2 lamps

PE/GND

Fernstart remote start

Anschluß bei Fremd-Münzer 230V
"connection with other timer-system"

230V	23
N	22
N	21
PE	20
STR4	19
STR3	18
STR2	17
STR1	16

Ergoline - Münzer Ergoline coin box

Lampen 1 lamps
Lampen 2 lamps

Fernstart remote start

PE/GND

0V
24V

Anschluß bei Ergoline-Münzer 24 V
"connection with Ergoline coin box 24V"

STR4	19
STR3	18
STR2	17
STR1	16
Tür	15
Tür	14
PE	13
0AC	12
0AC	11
24AC	10

Anschlußklemme X3
Connection Terminal X3

Z4.ü	25
Z4.u	24
230V	23
N	22
N	21
PE / GND	20
STR4	19
STR3	18
STR2	17
STR1	16
Tür	15
Tür	14
PE / GND	13
0AC	12
Power supply timer coin box 24V	11
24AC	10
A-R	09
GNDR	08
GNDL	07
A-L	06
NC	05
NC	04
NC	03
NC	02
NC	01

230VAC for Relis Zusatzdiffer.
230 VAC for additional Reli-velo.
(Imax = 50mA)

Münzerversorgung 230V
Power supply timer/ coin box 230V

Lampeneingang / Input lamps

Fernstartausgang remote start output

Türkontakt Door contact

Externe Musik nur für interne Kopfhörerbuchse
External music only for headphonejack

ACHTUNG!
PE-Anschlüsse nicht mit externem PE-potenzial verbinden! (EMV)

Attention: Do not connect grounding contacts with external ground potential! (EMC)

Hinweis!
Es darf nur die in der Gebrauchsanweisung angegebene JK-Zeitsteuerung eingesetzt werden.

Note!
Only the JK timer control specified in the user manual is to be used.

The sticker is mounted on the controller support.

13: SD card sticker (1002330-..)

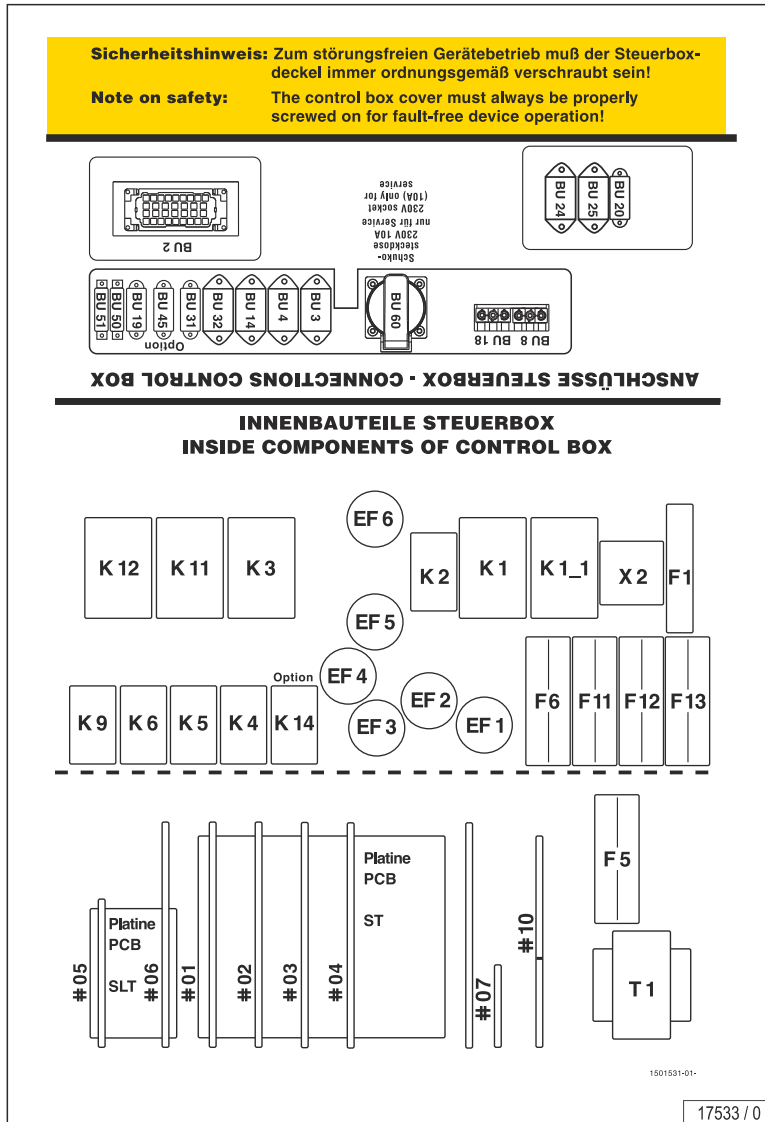
ACHTUNG:
SD-CARD darf nur bei ausgeschaltetem Gerät entnommen werden.
Nichtbeachtung kann zur Zerstörung des Chips führen!

CAUTION:
Remove SD-CARD only if sunbed is switched off.
Nonobservance can lead to the destruction of the chip!

1002330-00-
17429 / 0

The sticker is mounted on the controller support.

14: Power unit components sticker (1501531-..)



The sticker is mounted on the controller support.

15: 'Only use original spare parts' sticker (1002328-..)

HINWEIS!
 In diesem Gerät dürfen nur Originalteile von JK-Products GmbH bzw. von JK-Products GmbH freigegebene Teile verwendet werden. Ersatzteile, die die oben genannten Voraussetzungen nicht erfüllen, jedoch den Anspruch erheben, mit obigen Teilen identisch zu sein (Ident-Teile) dürfen grundsätzlich nicht eingebaut werden. Über Ausnahmen im Einzelfall entscheidet die JK-Products GmbH.

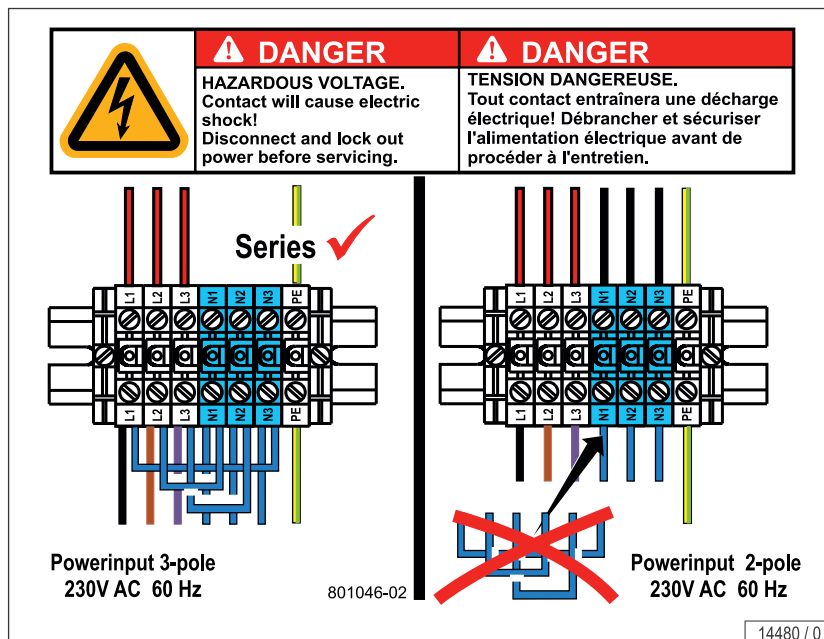
WARNHINWEIS!
 Der Einbau von nicht frei gegebener Fremdelektronik oder ungenehmigte Änderungen jedweder Art an Konstruktion, Verdrahtung o. ä. führen zum Erlöschen der Gewährleistungsansprüche. Zuwiderhandlungen können **Brandgefahren** auslösen, durch die Personen infolge Rauchvergiftung und/ oder Feuer getötet oder schwer verletzt werden können. Des Weiteren erlischt die für das Gerät ausgestellte EU-Konformitätserklärung (CE-Kennzeichen). Es besteht ferner die Gefahr, dass Sie die Ansprüche aus der gesetzlichen Produkthaftung verlieren.

NOTE!
 Only genuine parts or parts approved by JK-Products GmbH or JK-Products GmbH may be used in this device. Replacement parts that do not meet the above requirements, but which, however, claim to be identical with the above mentioned parts (pattern parts), must not be fitted under any circumstances. JK-Products GmbH will judge exceptions to this on a case by case basis.

WARNING!
 The installation of unapproved electronics made by other manufactures or unapproved changes of any kind to the design, wiring etc. shall result in any and all warranty Claims being forfeited. Non-conformance may result in a **risk of fire**, through which, persons may be killed or badly injured as a result of smoke inhalation or fire. Moreover, the EU conformity declaration (CE certification) for the unit will be invalidated. There is also a danger of loosing the right to any claims based on legal product liability.

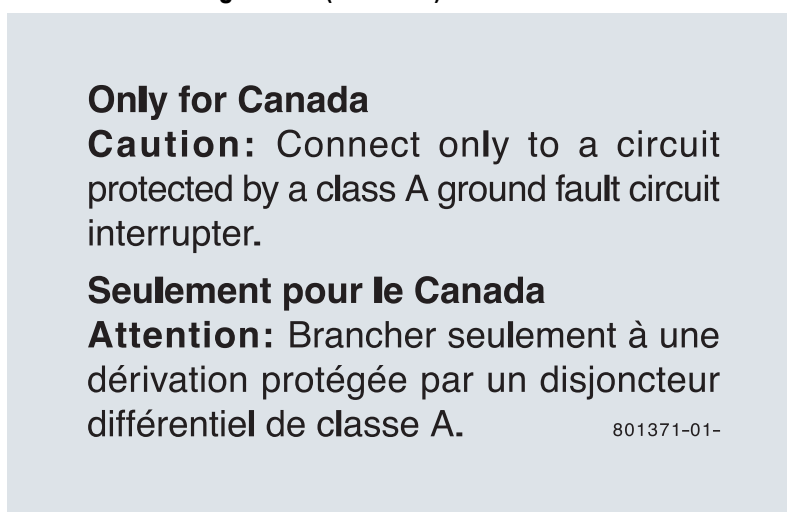
1002328-00- 17532 / 0

16: USA mains connection sticker (801046-..)



The sticker is mounted on the left side panel.

17: Canada warning sticker (801371-..)



13514 / 0

The sticker is mounted on the rear panel.

18: Lamp cover base sticker (801139-..)



17192 / 0

The sticker is mounted on the lamp cover foot end.

19: Sticker (1014367-..)

FOR SALES, SERVICE, LAMPS & LOTIONS
CALL:
800.643.0086
www.jkamerica.com
1014367-00-

17197 / 0

20: OEM parts sticker (801138-..)

ATTENTION!
Only use OEM certified replacement parts.
The use of other parts voids all
manufacturer's warranties and responsibilities.

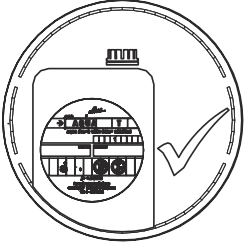
801138-00-

13513 / 0

The sticker is mounted on the bottom of the bed base.

21: AQUA MIST sticker (801211-..)

CAUTION!
Only genuine
AQUA MIST of the
same type should
be used!
Otherwise there will
be a health hazard!
Danger of atmospheric germs!



JK-Table Nr. 801211

17481 / 0

3.10 Technical data

3.10.1 Power rating, electrical specifications and noise level

Model-No.: JK 155 / 46-3		
Power consumption rating:	12,600 W	
Rated frequency:	60 Hz	
Rated voltage:	230 V 3 phase	230 V 2 phase
Rated fuses:	50 amp 3-pole	80 amp 2-pole
Classification:	Type BF applied part	
Protection ingress classification:	IP20	
Protection against shock:	Class I	
Max. allowed network impedance:	0.095 Ω	
Noise level 1m away from device: (without exhaust air)	67.2 dB(A)	
Noise level inside the device:	< 70 dB(A)	
Load on the acrylic panel:	max. 330 lb / 150 kg	
Weight:	approx. 1,283 lb / 582 kg	
Max. humidity:	< 70%	
Ambient temperature:	59-89 °F (15-32 °C)	
Max. operating altitude (above sea level):	< 6500 ft (2000 m)	

Model-No.: JK 155 / 46-3 (AC)

Power consumption rating:	13,700 W	
Rated frequency:	60 Hz	
Rated voltage:	230 V 3 phase	230 V 2 phase
Rated fuses:	50 amp 3-pole	80 amp 2-pole
Classification:	Type BF applied part	
Protection ingress classification:	IP20	
Protection against shock:	Class I	
Max. allowed network impedance:	0.095 Ω	
Noise level 1m away from device: (without exhaust air)	67.2 dB(A)	
Noise level inside the device:	< 70 dB(A)	
Load on the acrylic panel:	max. 330 lb / 150 kg	
Weight:	approx. 1,327 lb / 602 kg	
Max. humidity:	< 70%	
Ambient temperature:	59-89 °F (15-32 °C)	
Max. operating altitude (above sea level):	< 6500 ft (2000 m)	

Model-No.: JK 155 / 50-4 TT

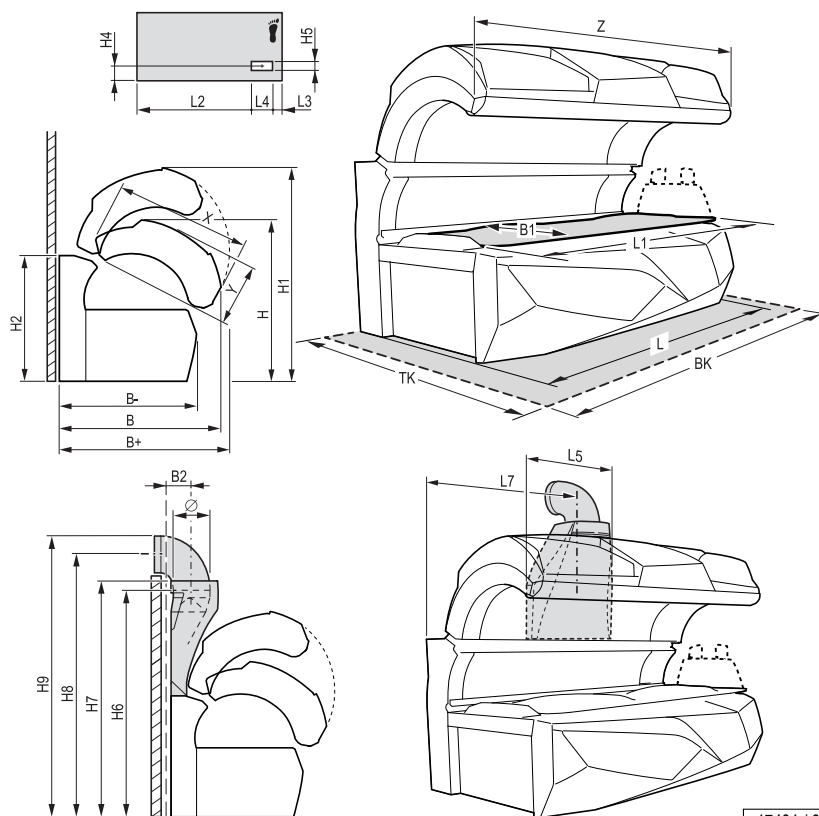
Power consumption rating:	17,000 W	
Rated frequency:	60 Hz	
Rated voltage:	230 V 3 phase	230 V 2 phase
Rated fuses:	60 amp 3-pole	110 amp 2-pole
Classification:	Type BF applied part	
Protection ingress classification:	IP20	
Protection against shock:	Class I	
Max. allowed network impedance:	0.095 Ω	
Noise level 1m away from device: (without exhaust air)	68.9 dB(A)	
Noise level inside the device:	< 70 dB(A)	
Load on the acrylic panel:	max. 330 lb / 150 kg	
Weight:	approx. 1,599 lb / 725 kg	
Max. humidity:	< 70%	
Ambient temperature:	59-89 °F (15-32 °C)	
Max. operating altitude (above sea level):	< 6500 ft (2000 m)	



NOTE:

Adaptation of the unit is required for operating altitudes greater than 6500 ft / 2000 m above sea level in order to guarantee trouble-free operation.

3.10.2 Dimensions



17401 / 0

Model-No.: JK 155 / 46-3 (AC):

B + =	54 1/4 in	1,378 mm
B =	52 5/16 in	1,328 mm
B - =	51 9/16 in	1,309 mm
B1 =	31 1/2 in	800 mm
B2 =	7 6/16 in	188 mm
L* =	92 1/2 in	2,350 mm
L =	89 in	2,260 mm
L1 =	78 12/16 in	2,000 mm
L2 =	68 2/16 in	1,730 mm
L3 =	9 6/16 in	238 mm
L4 =	10 7/16 in	265 mm
L5 =	34 2/16 in	867 mm
L6 (L7) =	43 15/16 in	1,116 mm
H =	55 1/2 in	1,410 mm
H1 =	68 11/16 in	1,745 mm
H2 =	42 7/16 in	1,078 mm
H4 =	15 12/16 in	400 mm
H5 =	4 1/2 in	114 mm
H6 =	74 5/16 in	1,887 mm

Model-No.: JK 155 / 50-4 TT :

	58 4/16 in	1,479 mm
	56 10/16 in	1,439 mm
	55 2/16 in	1,400 mm
	35 7/16 in	900 mm
	7 6/16 in	188 mm
	92 1/2 in	2,350 mm
	89 in	2,260 mm
	78 12/16 in	2,000 mm
	68 2/16 in	1,730 mm
	9 6/16 in	238 mm
	10 7/16 in	265 mm
	34 2/16 in	867 mm
	43 15/16 in	1,116 mm
	57 11/16 in	1,465 mm
	72 2/16 in	1,832 mm
	42 7/16 in	1,078 mm
	15 12/16 in	400 mm
	4 1/2 in	114 mm
	74 5/16 in	1,887 mm

Model-No.: JK 155 / 46-3 (AC):

H7 =	77 11/16 in	1,974 mm
H8 =	86 1/2 in	2,197 mm
X =	43 6/16 in	1,101 mm
Y =	22 1/2 in	572 mm
Z =	89 in	2,260 mm
∅ =	11 13/16 in	300 mm
BK =	94 1/2 in	2,400 mm
TK =	90 9/16 in	2,300 mm

Model-No.: JK 155 / 50-4 TT :

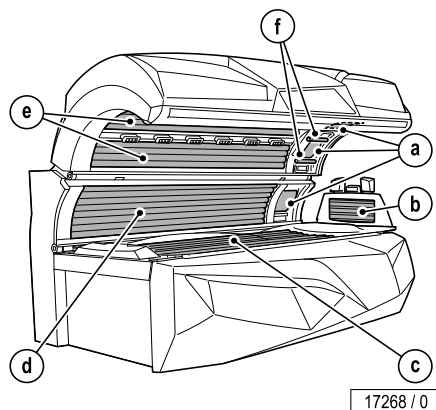
77 11/16 in	1,974 mm
86 1/2 in	2,197 mm
47 2/16 in	1,197 mm
22 1/2 in	626 mm
89 in	2,260 mm
11 13/16 in	300 mm
94 1/2 in	2,400 mm
90 9/16 in	2,300 mm

3.10.3 Lamp configuration

NOTICE

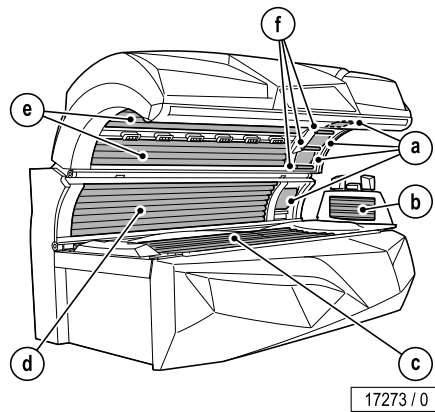
The use of other UV lamps and filter panels voids the operating license!

Model-No.: JK 155 / 46-3 (AC)



	Number	Description	Length	Power	Control	Order-no.
a)	3	UV high pressure lamps Ergoline ultra C12645		520 W	420 W / 360 W / 260 W / 0 W	12645-..
	3	Filter panels Ultra Performance				1001524-..
b)	7	UV low pressure lamps GENESIS VHP12 25 W	21 in 0.52 m	25 W	25 W	1015623-..
	7	Starter S10 (4-65 W)				10047-..
c)	18	UV low pressure lamps GENESIS VHP12 160 W	71 in 1.80 m	160 W	160 W	1508603-..
	18	Starter (120-180 W)				12637-..
d)	8	UV low pressure lamps GENESIS VHP12 160 W	71 in 1.80 m	160 W	160 W	1508603-..
	8	Starter (120-180 W)				12637-..
e)	20	UV low pressure lamps GENESIS VHP12 160 W	71 in 1.80 m	160 W	160 W	1508603-..
	20	Starter (120-180 W)				12637-..
f)	2	UV low pressure lamps GENESIS VHP12 8 W	0.31 m	8 W	8 W / 0 W	1508604-..
	2	Starter S10 (4-65 W)				10047-..

Model-No.: JK 155 / 50-4 TT

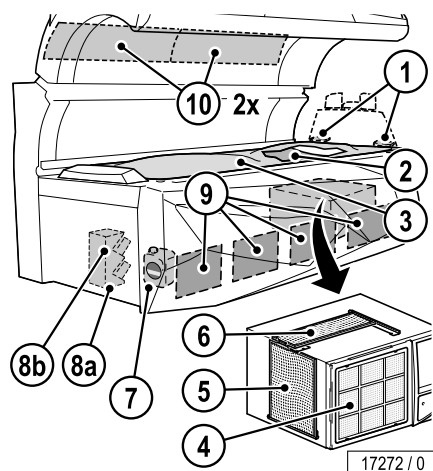


Number		Description	Length	Power	Control	Order-no.
a)	4	UV high pressure lamps Ergoline ultra C12645		520 W	420 W / 360 W / 260 W / 0 W	12645-..
	4	Filter panels Ultra Performance				1001524-..
b)	7	UV low pressure lamps GENESIS VHP12 25 W	21 in 0.52 m	25 W	25 W	1015623-..
	7	Starter S10 (4-65 W)				10047-..
c)	18	UV low pressure lamps GENESIS VHP12 160 W	71 in 1.80 m	160 W	160 W	1508603-..
	18	Starter (120-180 W)				12637-..
d)	8	UV low pressure lamps GENESIS VHP12 160 W	71 in 1.80 m	160 W	160 W	1508603-..
	8	Starter (120-180 W)				12637-..
e)	24	UV low pressure lamps GENESIS VHP12 160 W	71 in 1.80 m	160 W	160 W	1508603-..
	24	Starter (120-180 W)				12637-..
f)	3	UV low pressure lamps GENESIS VHP12 8 W	0.31 m	8 W	8 W / 0 W	1508604-..
	3	Starter S10 (4-65 W)				10047-..

3.10.4 Accent lighting

Not applicable for this device.

3.10.5 Spare parts



Number	Description	Order-no.
1	2 Filter	800278-..
2	1 Partition	
	Model-No.: JK 155 / 46-3 AC	800666-..
	Model-No.: JK 155 / 50-4 TT	800665-..
3	1 Acrylic panel	
	Model-No.: JK 155 / 46-3 (AC)	1000744-..
	Model-No.: JK 155 / 50-4 TT	1000756-..
4	1 Filter	-
5	1 Filter	51937-..
6	1 Filter	55567-..
7	1 AQUA SYSTEM, 1.59 gal (6 l)	3652603-..
8	1 AROMA, 3.38 fl oz (100 ml)	
a)	CABIN	701358-..
b)	RELAX	701357-..
9	4 Filter	51937-..
10	2 Filter	800601-..
	1 Protective goggles	84592-..
	1 MP3 cable	1001855-..
	1 Allen-key	83828-..

For more spare parts, contact Customer Service (see page 2).

4 Why you use it

4.1 Intended use

This sunlamp product is intended exclusively for cosmetic tanning of the human skin, for one person at a time, at the age of 18 or above.

4.2 Skin condition

You may benefit from the use of this device

- if you tan in natural sunlight (skin types III, IV and V),
- if you have no acute sunburn or skin disease,
- if you take no medication or use cosmetics that may increase sensitivity to ultraviolet light.

Skin type I (Sensitive):

Invariably gets sunburn, accepts little natural sunlight and does not tan.

Skin type II (Fair):

Gets sunburn easily and severely, tans minimally or lightly and peels.

Skin type III (Average):

Often referred to as "Average" complexion, gets moderate sunburns and tans about average.

Skin type IV (Brown):

Seldom gets sunburns, tans easily and above average with each exposure.

Skin type V (Dark Brown):

This individual's system rarely gets sunburns, tans easily and substantially.



5 Who cannot use it

5.1 Prohibited usage

5.1.1 Tanning system

**UV radiation**

Danger of skin and eye injuries or skin diseases!

The following people must not use the device:

- People under 18 years of age
 - People with skin lesions or open wounds
 - People with acute sunburn
 - People who repeatedly suffered from serious sunburn during childhood
 - People with naturally red hair and pale skin
 - People with atypically discolored patches of skin
 - People who have or have had skin cancer
 - People who suffer from an increased risk of skin cancer (e.g. cases of skin cancer in the family)
 - People among whose closest relatives a melanoma has occurred
 - People who are being medically treated for photosensitivity
 - People taking photosensitivity causing medicine
 - People with freckles and people who tend to develop freckles
 - People with more than 16 moles on their body (2 mm diameter or larger)
 - People with atypical moles (atypical moles are, for example, asymmetrical moles with a diameter greater than 5 mm, with varying pigmentation and irregular edges)
- **Seek medical advice if in doubt!**

5.1.2 Vibra Shape (vibration plate)

Not applicable for this device.

6 What you must do to avoid serious harm

6.1 General

DANGER – HIGH VOLTAGE!



You can be killed or injured by an electric shock!

Assembly and electrical connection must comply with national and local regulations.

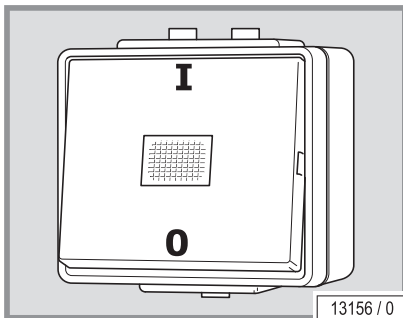
- The device may only be assembled, installed, upgraded or repaired by authorized, trained and qualified staff.

WARNING



Risk of electric shock!

- To avoid risk of electric shock, this equipment must only be connected to a mains supply with protective earthing.



The electrical installation must have a freely accessible, all-pole disconnecting device (Master switch with clearly labelled On/Off settings, e.g. '0' and 'I' or additional indicator light) fitted externally on the site side.

DANGER – HIGH VOLTAGE!



You can be killed or injured by an electric shock or injured by overexposure!

Skin damage and sunburn possible

Danger of overheating by obstruction of the air routing.

- No modification of this equipment is allowed.

6.2 Tanning system

WARNING!



Unprotected tanning may result in eye injury and eye diseases!

The unprotected eye can become inflamed on the surface, and in certain cases the retina can be damaged by excessive radiation. Cataracts can form after repeated exposure to radiation.

- **Inform users to use the included protective goggles that block UV.**

⚠ WARNING!



Danger of ultraviolet radiation.

Ultraviolet radiation - follow instructions.

Failure to use protective eyewear may result in severe burns or other eye injury - if discomfort develops, discontinue use and consult a physician.

- As with natural sunlight, overexposure can cause eye injury and sunburn;
- Repeated exposure may cause premature aging of the skin and skin cancer;
- Medications or cosmetics applied to the skin, may increase sensitivity to ultraviolet light;
- A person who does not tan in the sun most likely will not tan from the use of this device;
- A person having a history of skin problems should consult a physician before use;
- Overexposure should be avoided; and
- Children, the elderly, or fair skinned people who always burn easily and either never tan or tan minimally should not use this equipment.
- The appliance is not allowed to be used by more than one person at the same time.

⚠ WARNING!



WARNING!

Danger of long-term consequences!

Exposure to ultraviolet radiation may increase the likelihood of developing skin cancer and cause serious eye injury. You do not need to become tan to make Vitamin D.

- Overexposure should be avoided.
- Children may not use this device.

-
- **Seek medical advice if in doubt!**

6.3 Sensor

Not applicable for this device.

7 What you must do to avoid other harm

7.1 General

WARNING!



Infections can be transferred through skin contact.

All items/equipment components, with which the user can come into contact during tanning, must be cleaned and disinfected after every tanning session:

- Protective goggles
- Acrylic panel
- Handles and control panel
- MP3 cable
- Adjustable air nozzles
- Use only EPA registered quaternary ammonium germicidal based detergent solution (follow product label for use-dilution), such as Lucasol One Step, to clean and disinfect the tanning system and its components.

7.2 Tanning system

WARNING!



Danger of long-term consequences!

- Overexposure should be avoided.
- The elderly should not use this equipment.
- Children may not use this device.
- While there is no immediate clinical evidence of UVA exposure and its effects upon expectant mothers, it is strongly advised that expectant mothers be discouraged from using the tanning unit.

7.3 Sensor

Not applicable for this device.

7.4 Vibra Shape (vibration plate)

Not applicable for this device.

7.5 Foreseeable misuse

The following uses of the device are explicitly prohibited:

- Only one person at a time may use the device.
- People with body weight of more than 330 lb (150 kg) may not use the device.
- Exceeding the specified tanning times may result in burns and long-term skin damage.
- When the device is in use no other people may remain in the room. This includes both children and adults.

7.6 Obligations of the studio operator

- As the studio operator you are responsible for informing users on possible risks of tanning.
- All danger and safety labels attached to the device must be observed! Do not remove them!
- No safety equipment (e.g. panel switch) may be removed, deactivated, or otherwise bypassed as it can impair the safe operation of the device!
- The device may only be used when in completely operational condition!
- It is the studio operator's responsibility to ensure the tanning system is handled properly.

7.7 Staff training

As studio operator you are obligated to train your personnel and instruct them in the established legal and accident prevention regulations. Ensure that your staff have understood and observe these instructions. This includes:

- information regarding intended use and foreseeable misuse
- safety instructions
- operating instructions
- cleaning/disinfection and maintenance instructions
- Please make the instructions and additional information from the manufacturer available to the staff at their workplace.
- Regularly check your staff's safety consciousness and awareness of the risks, taking into account your operating instructions.
- Please ensure that the cleaning/disinfection intervals are complied with, in particular cleaning and disinfection after every use.
- Please ensure that your staff provide your customers with appropriate advice, in particular regarding tanning times, possible risks and the operation of the device.

8 Risks of using this device

WARNING!



Danger through ultraviolet radiation!

Danger of skin and eye injuries or skin diseases!

- This sunlamp product must not be used on individuals who have had skin cancer or have a family history of skin cancer.
- Persons repeatedly exposed to ultraviolet sunlamp products must be evaluated for skin cancer regularly.
- This sunlamp product must not be used by people among whose closest relatives a melanoma has occurred.

Contraindications! The following people must not use this system:

- People under 18 years of age
- People with skin lesions or open wounds
- People with acute sunburn
- People who repeatedly suffered from serious sunburn during childhood
- People with naturally red hair and pale skin
- People with atypically discolored patches of skin
- People who have or have had skin cancer
- People who are being medically treated for photosensitivity
- People taking photosensitivity causing medicine
- People with freckles and people who tend to develop freckles
- People with more than 16 moles on their body (2 mm diameter or larger)
- People with atypical moles (atypical moles are, for example, asymmetrical moles with a diameter greater than 5 mm, with varying pigmentation and irregular edges)

9 Benefits of using this device

This device serves the purpose of cosmetic tanning for one adult person with skin suitable for tanning.

Different tanning results can be achieved in varying strength tanning devices. This is due to the different strength UV lamps and the different UV-A and UV-B proportions of the UV radiation. The UV-A proportion primarily generates a superficial tan, which appears rapidly and is intensive but also fades more rapidly, the UV-B radiation is primarily responsible for more long-term tanning results.

10 How to decide to use this device

This device is intended only for commercial use and not for private use.

Some people are not permitted to use the device, see chapter 5.

The device may not be used by people with reduced physical, sensory or mental capabilities or who have insufficient experience and/or knowledge without supervision. A person responsible for their safety must ensure, either by supervision or instruction, that the device is used correctly and safely. If there is any doubt, use of the device by such categories of persons is to be forbidden!

11 What to do before the treatment

Please check for any conditions that may prohibit the use of this device – see chapters 5, 6, 8, 10.

Make-up in the tanning device

Please do not wear make-up. Clean skin absorbs UV light better.

A wide variety of materials is found in cosmetics. Whether these are emulsifiers, greases, or fragrances - in conjunction with UV radiation, these can cause skin allergy reactions.

Remove all make-up. This is essential. Make-up clogs the pores in the face. The UV light from a tanning device re-opens these clogged pores so that not only does the light penetrate the skin, but also the allergenic components of the make-up.

A further negative consequence of make-up is that the appearance of the skin deteriorates irreversibly over a period of time. However good make-up looks - in conjunction with UV light, it causes more harm than good. Therefore remove all make-up before a session in your tanning device - it will be much better applied afterwards.

- Remove all jewelry (including piercings) prior to the application.
- Remove cosmetics before using the device and do not use sun screen products.

Are medications and the tanning device compatible?

It is known that some medications increase the skin's sensitivity to UV light. This probability is particularly high with antibiotics, sulphonamides, psychiatric drugs, tranquillizers, anti-diabetes treatments and diuretics. Sun creams which contain psorale or kumarin also increase skin sensitivity. If you are in any doubt, first ask your doctor - then you can enjoy the sun at no risk.

Contact lenses in the tanning device?

The answer is: Yes! Like any other tanning device user, contact lens wearers should also wear special protective goggles which protect the eyes against UV radiation. To guarantee better protection, wearers of glasses and contact lenses can ask their optician for exchange contact lenses with UV protection. This will benefit tanning device users not only in the open air, but on the tanning device itself. You can wear these contact lenses on the tanning device without any restrictions. For more information, ask your optician or optometrist.

Showering after leaving the tanning device?

The browning is in the skin, not on it. Therefore you cannot wash it off. Treat your skin to a moisturizing cream after showering.

12 How to use this device

12.1 How to set this device up

After commissioning and cleaning/disinfection, the device is ready for operation.

Via the Control Center the most important settings can be made before starting the device. During the tanning session, functions may be activated or deactivated via the control panel inside the device.

See chapter 12.5.

12.2 How to make sure the device works

Before using the device, check for damage to filter panels and acrylic panels.

12.3 How to use it to treat your condition

- No other persons are permitted in the vicinity of the cabin when using the device, this especially applies to children.
- UV light can cause irreversible skin or eye damage. The unprotected eye can become inflamed on the surface, and in certain cases the retina can be damaged by excessive radiation. Cataracts can form after numerous repeated tanning sessions. **Use the UV-impermeable protective goggles provided** (order no. 84592-..). Contact lenses and sun glasses are no substitutes for protective glasses.
- Always comply with the recommended application times.

12.4 How to choose correct treatment regimen

12.4.1 Skin types

Skin type I (Sensitive):

Invariably gets sunburn, accepts little natural sunlight and does not tan.

Skin type II (Fair):

Gets sunburn easily and severely, tans minimally or lightly and peels.

Skin type III (Average):

Often referred to as "Average" complexion, gets moderate sunburns and tans about average.

Skin type IV (Brown):

Seldom gets sunburns, tans easily and above average with each exposure.

Skin type V (Dark Brown):

This individual's system rarely gets sunburns, tans easily and substantially.



12.4.2 Tanning times



NOTE:

The tanning times given in the table must not be exceeded!

DANGER ULTRAVIOLET RADIATION

Follow instructions. Avoid over-exposure as with natural sunlight. Over-exposure can cause eye and skin injury and allergic reactions. Repeated exposure may cause premature aging of the skin and skin cancer.

MAXIMUM TANNING TIME: 12 MINUTES

Recommended Exposure Schedule					
Skin Type	Week 1 1st - 3rd Treatments	Week 2 4th - 6th Treatments	Week 3 7th - 10th Treatments	Week 4 11th - 15th Treatments	Weekly Subsequent Treatments
I - Sensitive	NOT ADVISED	NOT ADVISED	NOT ADVISED	NOT ADVISED	NOT ADVISED
II - Fair	2 Min.	5 Min.	8 Min.	10Min.	12Min.
III - Average	2 Min.	5 Min.	8 Min.	10Min.	12Min.
IV - Brown	2 Min.	7 Min.	10 Min.	12Min.	12Min.
V - Dark Brown	2 Min.	7 Min.	10 Min.	12Min.	12Min.

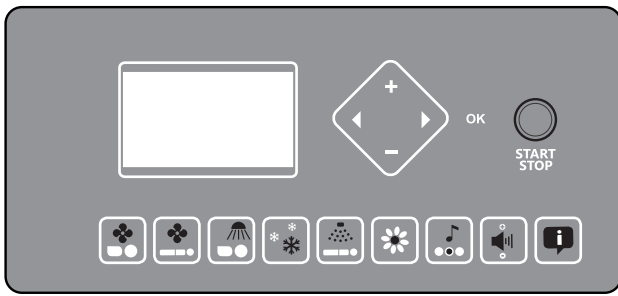
<p>WEAR PROTECTIVE EYEWEAR! Failure to do so may result in severe burns or long term injury to the eyes.</p> <p>Certain medications or cosmetics may increase your sensitivity to the ultraviolet radiation. Consult a physician before using sunlamps if you are using medication, have a history of skin problems or believe yourself to be especially sensitive to sunlight. If you do not tan in the sun, you are unlikely to tan from the use of this product.</p>	<p>This unit utilizes UV lamps. Replace only with GENESIS 160W (VHP 12), GENESIS 8W (VHP 12) (low pressure/facial tanner), Ergoline ULTRA 520W (high pressure/facial tanner) or recognized equivalents. To obtain recommended exposure at a minimum distance of 1/2" (13 mm) measured with a standard ruler, lie on acrylic surface of lounge and lower canopy. Canopy will stop at the correct distance from lounge acrylic surface.</p> <p>Warning: The use of any other position may result in overexposure!</p>
--	---

<p>Tanning can begin on a regular basis. An appearance of tanning normally appears after a few exposures and maximizes after four (4) weeks of exposure following the recommended exposure schedule for skin type. In order to provide for maintenance of a tan a maximum of two (2) weekly 12 minute sessions is recommended from the fifth week onward.</p> <p>Do not tan more than once in a 24 hour period.</p>	<p>Use protective eyewear, super sunnies, whenever unit is energized. Read and follow instruction booklet before using this product. To avoid electrical shock during maintenance disconnect power from unit. This product is in conformity with performance standards for sunlamp products under 21 CFR 1040.20, FDA.</p> <p style="text-align: right;">Part No: 1015649-00-</p>
--	---

17298 / 1

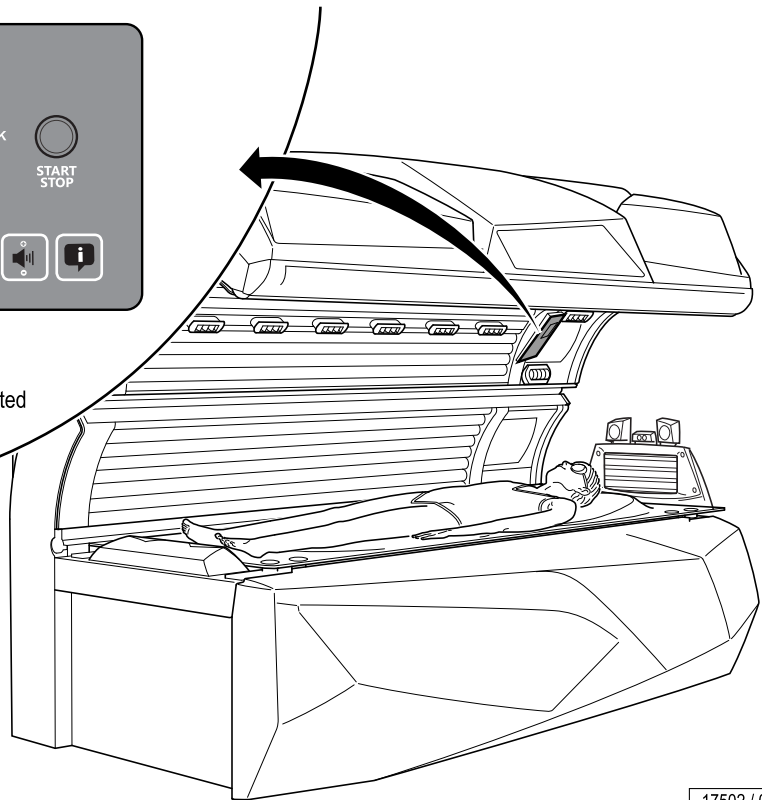
The sticker is mounted on the lamp cover foot end.

12.5 How to operate the device



Operating panel:

The navigation unit is operated with the feature selection. Indicators of available functions are illuminated in default mode after starting up the tanning device.



17502 / 0

12.5.1 Control Center

Not applicable for this device.


12.5.2 User settings overview











User settings overview

All of a device's available functions can be pre-set on the control panel. Fine adjustment is carried out during use.



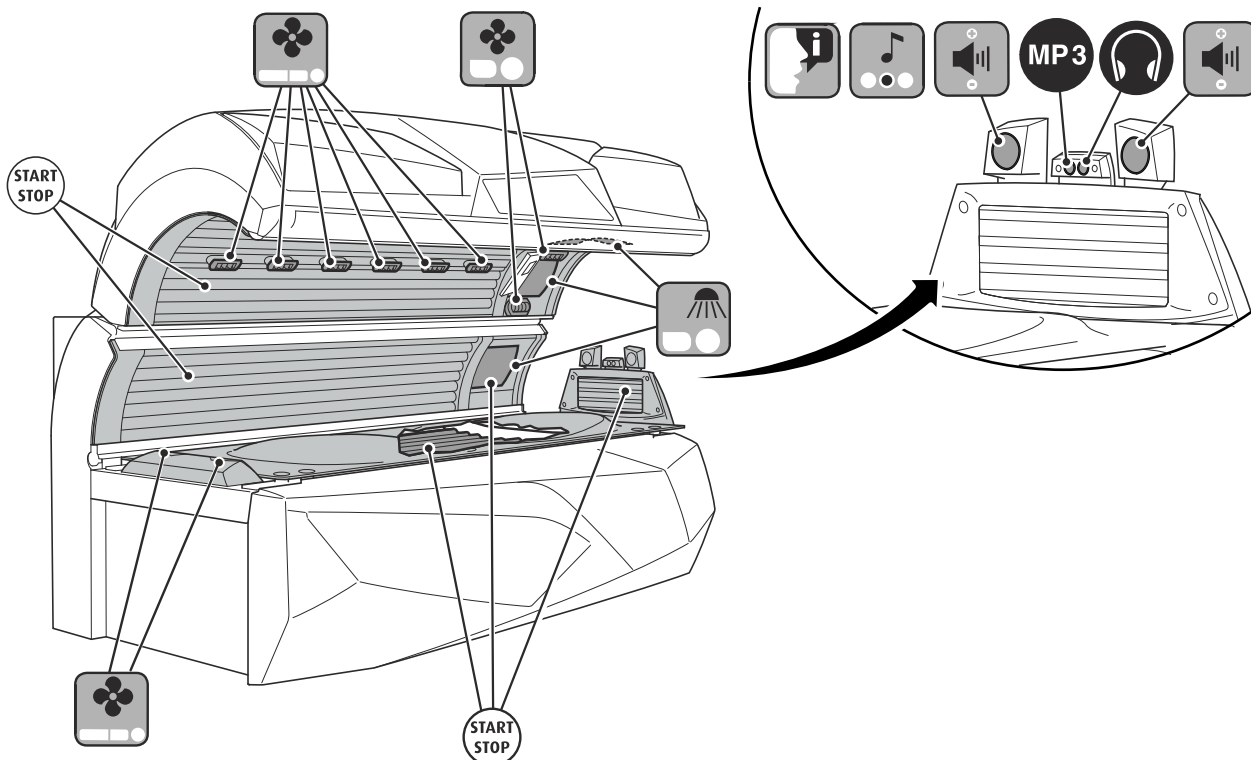
NOTE:

Pressing and holding  for 3 seconds opens the 'User settings' overview.

Function	Pictogram selection / key sequence	Description / display
Body fan	 HIGH ▶ AUTO LOW	Pre-select low or high cooling or set to automatic.
Face fan	 HIGH ▶ AUTO LOW	Pre-select low or high cooling or set to automatic.
Facial tanner	 MAX ▶ MED OFF	Select maximum or medium power or switch off.
Temptronic/Air conditioning	 WARM ▶ AUTO COOL	Pre-select low or high temperature or set to automatic.
AROMA	 ▶ ON OFF	Switch AROMA on or off
AQUA SYSTEM	 ▶ BOTH BODY FACE OFF	Switch the AQUA SYSTEM body and head nozzles on or off together or individually
Shoulder tanner	 ▶ ON OFF	Switch the shoulder tanner on or off
Voice Guide	 ▶ ON OFF	Switch the Voice Guide on or off
Volume	 HIGH ▶ AUTO LOW	Basic volume setting: Loud, quiet or automatic.
Audio system	 ▶ AUX SALON SOLARIUM OFF AUTO	Select the audio system or switch off
Welcome	WILLKOMMEN	Welcome text in standby mode

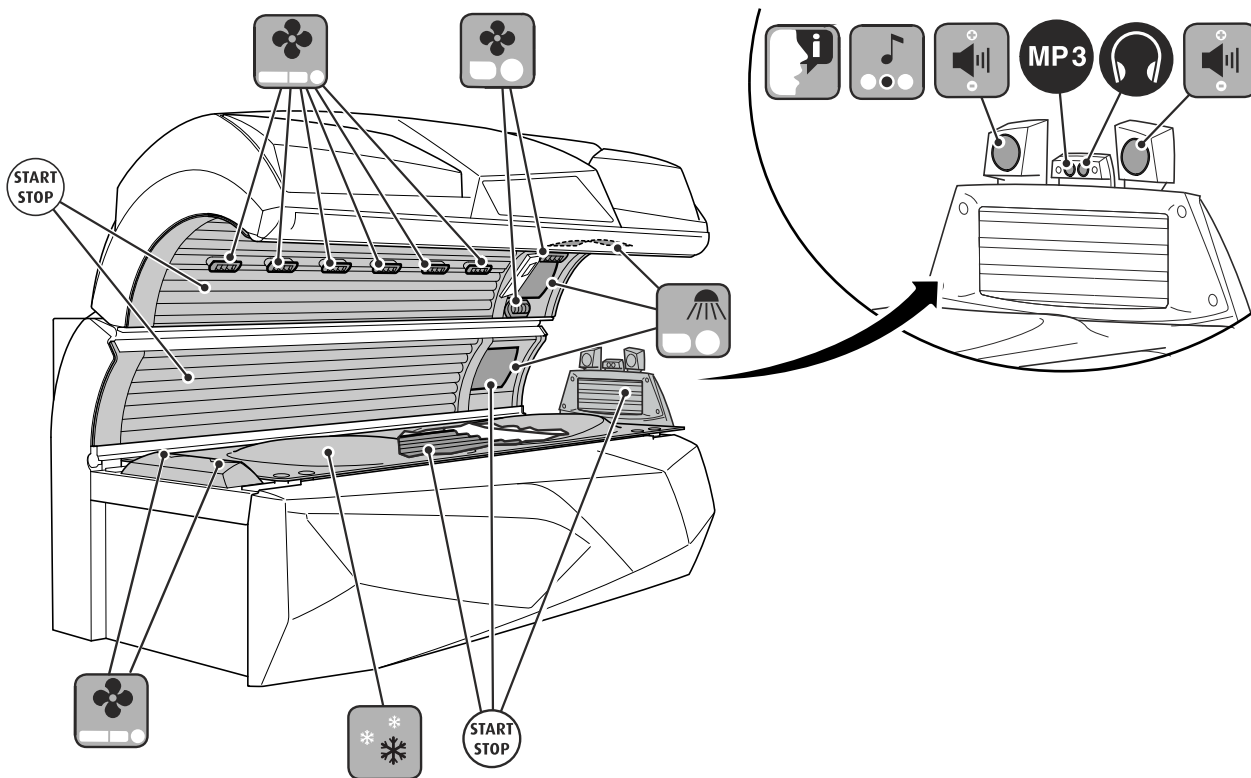
12.6 Functions

Model-No.: JK 155 / 50-4 TT :



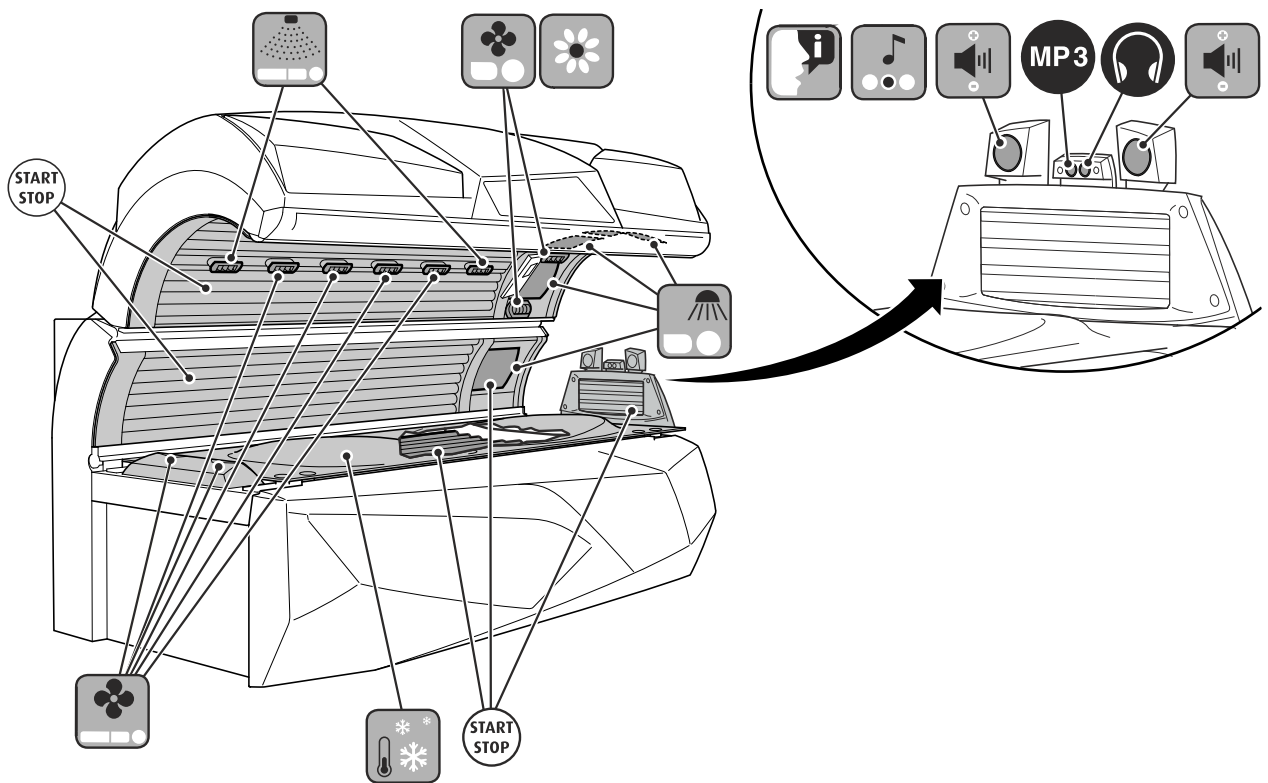
17463 / 1

Model-No.: JK 155 / 46-3 AC:



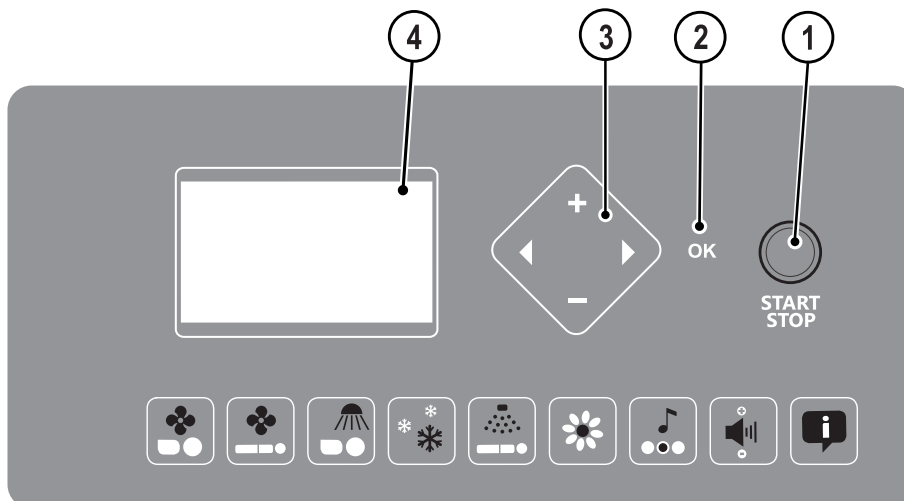
17431 / 2

Model-No.: JK 155 / 46-3:



17408 / 1

12.6.1 Operating panel

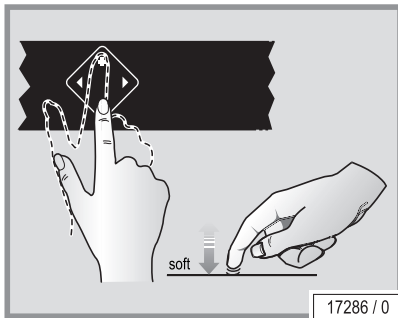


17349 / 0

1. START/STOP button
2. OK button
3. Feature selection
4. Display – Functions ...

12.6.2 Navigation

Navigation unit



Acknowledge selection.

This button's availability is displayed on the Operating panel, depending on the function that has been selected.



Select device function




Functions or settings can be activated, deactivated or changed.

Information about the setting options can be found in the separate user manual 'Professional Setup Manager' in the folder Technical Documentation.



NOTE:

To open the Professional Setup Manager, press button  for approximately 3 seconds in standby mode .


All of the pictograms displayed on the screen are illuminated in default mode after the device starts up.

The relevant pictogram will start to flash after a device function has been selected. The settings or selection options available for the selected function will be displayed on the screen.

If the START/STOP button is pressed and held for 3 seconds while in standby mode, accent lighting and music switch off or back on.






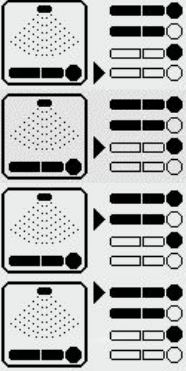




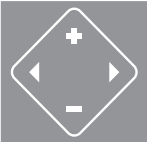





NOTE:

Pressing and holding  button for 3 seconds activates the demo mode. This allows you to demonstrate the following functions without tanning.



NOTE:

If no button is pressed within 8 seconds, the settings return to default mode.

Pictogram selection / key sequence	Navigation	Description / Display	Information
 		<p>Switch on AROMA: Press the plus button for 1 second.</p> <p>Switch off AROMA: Press the minus button for 1 second.</p>	
		<p>AQUA SYSTEM Switch the AQUA SYSTEM head nozzle on: Press the plus button.</p> <p>Switch the AQUA SYSTEM off and the body nozzle on: Press the plus button.</p> <p>Switch the AQUA SYSTEM off: Press the minus button.</p>	
		<p>Adjust volume: Levels 0 - 10</p>	
		<p>Audio system SD card selection: Press the plus button</p>	<p>The +/- buttons can be used to select titles for internal music in demo mode and during tanning.</p>
		<p>Studio channel selection: Press the plus button</p>	
		<p>Select own music (MP3 player) AUX: Press the plus button</p>	
		<p>Switch off the audio system: Press the minus button</p>	
		<p>Switch off Voice Guide: Press the minus button</p> <p>Switch on Voice Guide: Press the plus button</p>	

12.7 Operating display of the sensor

Not applicable for this device.

12.8 Selection of the application

Not applicable for this device.

12.9 Sun Select setting with the outer interface

Not applicable for this device.

12.10 Measurement (automatic mode)

Not applicable for this device.

12.11 Connections

MP3 player and smartphone

WARNING!



Danger of hearing damage!

Using earphones or headphones at high volume can result in permanent hearing damage.

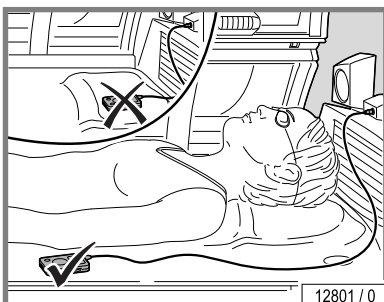
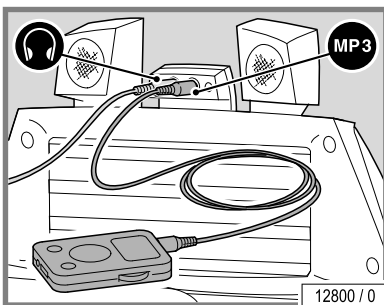
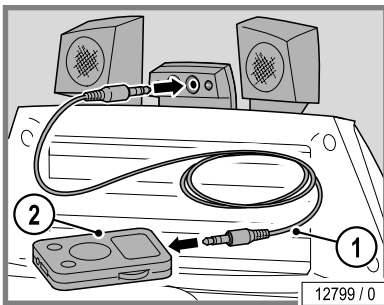
- Do not set the volume too high.

The user can connect their own private MP3 player or smartphone to the device.

1. Jack plug (JK Part # 4630911001-..) provided for use by the studio operator (2 x 3.5 mm stereo jack plug).
2. MP3 player or smartphone connection: see the documentation from the manufacturer of the MP3 player or smartphone.

Connecting:

- Insert the MP3 cable (stereo jack plug) in the audio system.
- Plug the MP3 cable into the MP3 player or smartphone.
- Select the music title and then start.
- Where necessary, set the volume level on the MP3 player or smartphone so that the sound signal from the MP3 player or smartphone is recognized by the audio system.



CAUTION!



The heat might damage your MP3 player or smartphone!

- Do not place the unit directly in the radiation area.

The cable might tear, the connectors might be damaged.

- Do not pull on the cable when unplugging the MP3 player or smartphone.

**NOTE:**

The personal use of an MP3 player during tanning is not a public broadcast in copyright terms, so that there is no obligation for registration or payment by the studio owner to the corresponding copyright owning company. Copy right laws apply to the owner of the MP3 player.

The same regulations apply for the official use of MP3 music files as for other music sources: As studio owner you are only allowed to use original audio obtained from legal sources. Proof of the legitimacy of any MP3 audio used should be available for viewing upon demand of any regulatory body. Please refer to <http://www.riaa.com> for more information.

12.12 How to use

**NOTE:**

Before use the device must always be cleaned and disinfected! See chapter 12.15 'How to clean/disinfect'.

12.12.1 How to start

The device is started automatically with an internal or external timer.

**NOTE:**

See separate document 'Timer Control Module' #1008370-.. in the Technical Documentation folder.

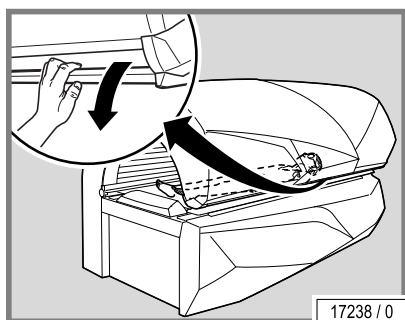
Preparation time

Before the UV lamps turn on, you have a few minutes to prepare yourself. During the preparation time you can switch on the UV lamps at any time by pressing the START/STOP button.

- Remove your clothes and all jewelry.
- Remove make-up and other cosmetics.
- Remove glasses. Contact lenses can be worn under the protective goggles.
- Put on the protective goggles.
- Lie down on the bed surface.
- Close the canopy.
- Press the START/STOP button.

Settings on start-up:

- UV lamps
- Facial tanner
- Shoulder tanner
- Body cooling
- Face cooling
- Audio system
- Voice Guide



17238 / 0

12.12.2 Application tips

When describing the operation, the tanning device is often shown with the canopy open. During tanning the canopy must always be closed.

Proper operation is not possible with the canopy open.

- Lie down and place your head on the headrest or as indicated by the ergonomic base panel to maintain the proper distance between skin and lamps.

12.12.3 How to stop

The tanning session ends automatically after the preset time has run down. The internal body cooling fan continues to run for approx. three (3) minutes to sufficiently cool the device.

- To interrupt a tanning session, press and hold button START/STOP any-time during a session.
- Press START/STOP again to restart the lamps.

12.13 What to do after the treatment

12.13.1 Cleaning and disinfection

WARNING!



Infections can be transferred through skin contact.

All items/equipment components, with which the user can come into contact during tanning, must be cleaned and disinfected after every tanning session:

- Protective goggles
- Acrylic panel
- Handles and control panel
- MP3 cable
- Adjustable air nozzles
- Use only EPA registered quaternary ammonium germicidal based detergent solution (follow product label for use-dilution), such as Lucasol One Step, to clean and disinfect the tanning system and its components.



NOTE:

For thorough cleaning and disinfection, the product must be allowed to remain in contact with the surface being cleaned and disinfected for a specified amount of time.

This specified amount of time depends on the cleaner/disinfectant which is used. Follow the directions for use of the cleaner/disinfectant.

After this specified application time remove remaining cleaner/disinfectant from the surfaces of the device. Use a single-pass paper towel.

12.14 Safety instructions for cleaning/ disinfection and maintenance

⚠ DANGER – HIGH VOLTAGE!

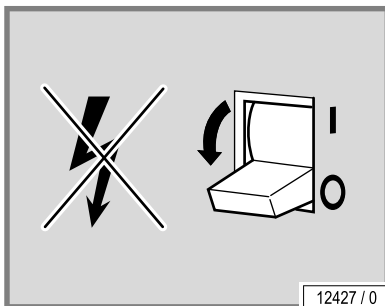


DANGER!

You can be killed or injured by an electric shock!

During maintenance and service work there is a risk of touching live parts and receiving a fatal electric shock.

- The device must not be in use.
- Disconnect device from power supply before opening.
- Do not reach behind covers and do not open the device with the device switched on.
- Refit any safety devices (e.g. switches) after the work has been completed.



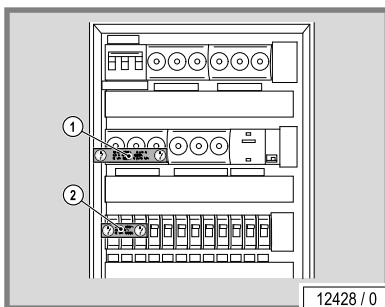
12427 / 0

If work is to be performed on the devices, they must be deenergized. That means that all live cables must be switched off.

Switching off the device alone is insufficient, as certain points may remain energized. Therefore, switch off fuses before performing any work and – if possible – remove them.

Accidental reactivation can result in serious accidents. Immediately after deenergizing, secure all switches or fuses used for deenergizing against being switched on again.

- Lock the fuse box with a padlock.



12428 / 0

In case of circuit breakers which cannot be unscrewed, a strip of adhesive tape may be applied over the actuation lever (1 + 2) with the wording 'Do not switch, danger!'.

A prohibition sign with the text:

'Work in progress!'

'Place:

'Sign may only be removed by:

must always be securely mounted immediately.

It is imperative that you, the owner and/or studio operator, check all components for any signs of wear which may occur through normal use.

- Observe the cleaning/disinfection and maintenance schedule specified in the tables in Chapter 12.15.2 and 12.16.2.
- Only replace UV low-pressure lamps with the original type or compatible lamps.

Should you require any assistance or need additional information, please call Global Service USA at 800 445 0624, Monday through Friday 8:00 a.m. - 7:00 p.m. CT, Saturday 8:00 a.m. to 3:00 p.m.



NOTE:

The service of the device may only be carried out by authorized, trained and qualified staff.

⚠ WARNING!



WARNING!

Injuries and damage due to improper maintenance!

If the maintenance intervals for the UV lamps are exceeded or incompatible UV lamps are installed, the share of harmful UVB radiation may increase. Sunburn and other skin damage may result.

Improper maintenance can cause the device to be damaged or to become unusable.

- Always comply with the specified maintenance intervals, see chapter 12.16.2 Maintenance plan.
- Follow the cleaning/disinfection instructions.

Danger of burns from hot lamps and device parts!

If the tanning device was operated before being switched off and opened, lamps and housing parts may be hot.

- Before replacing lamps or other spare parts, wait until lamps and metal parts of the device have cooled down sufficiently.

Danger of squeezing!

When opening and closing the panels and acrylics, you can squeeze your fingers.

Maintenance and care play a major role in deciding the devices performance and appearance over its useful life. Diligent compliance at the specified intervals is absolutely necessary to ensure the proper operation of your device.

The current operating hours of the parts requiring maintenance can be displayed in the Presetting mode – see separate instructions 'Presettings' #1011803-... in the Technical Documentation folder.

Please note that the device must be inspected regularly by a JK authorized representative every 12 months (from date of installation) to maintain its proper condition!

Acrylic panel

NOTICE

Cosmetics may cause cracks to form on the surface!

Over the long-term cosmetics or sunscreens cause damage (e.g. crack formation on the surface).

- Ensure that cosmetics and sunscreens are removed before tanning.
-

The acrylic panels for the tanning devices are produced of acrylic glass developed especially for this application. The acrylics used feature a particularly high UV permeability and resistance, as well as an easy-care, hygienic surface that is gentle on the skin.

The acrylic panels are formed to device-specific shapes in a technically complex production process. Despite state-of-the-art production know-how, the presence of minor spots, air bubbles or streaks in the acrylic panels is unavoidable. In addition, hairline cracks can occur on the acrylic panel during operation.

These occurrences are material-related and are unavoidable in processing. However, they have no significant effect on use and are therefore not accepted as defects.

Over the course of time the acrylic panel will become discolored as a result of usage and must be replaced by customer-service personnel on a regular basis.

The optional partition (only for devices with an air conditioning unit) works as a UV filter and must be replaced by customer-service personnel on a regular basis.

12.15 How to clean/disinfect

WARNING!



WARNING!

Infections can be transferred through skin contact.

All items/equipment components, with which the user can come into contact during tanning, must be cleaned and disinfected after every tanning session:

- Protective goggles
- Acrylic panel
- Handles and control panel
- MP3 cable
- Adjustable air nozzles
- Use only EPA registered quaternary ammonium germicidal based detergent solution (follow product label for use-dilution), such as Lucasol One Step, to clean and disinfect the tanning system and its components.



NOTE:

For thorough cleaning and disinfection, the product must be allowed to remain in contact with the surface being cleaned and disinfected for a specified amount of time. This specified amount of time depends on the cleaner/disinfectant which is used. Follow the directions for use of the cleaner/disinfectant. After this specified application time remove remaining cleaner/disinfectant from the surfaces of the device. Use a single-pass paper towel.

12.15.1 Cleaning and disinfection of surfaces

Acrylic panel

NOTICE

Do not rub with a dry cloth – danger of scratching!

- Other cleaning agents, especially concentrated disinfectants or solvents (e.g. Lysoform, ethyl alcohol or other liquids containing alcohol) must never be used for cleaning. **Failure to observe this voids all warranty claims.**

Acrylic panels (9) & (11) referenced in section 12.15.2 'Cleaning/disinfection plan'

These panels are not in direct contact with the user, however they can become soiled if the user inadvertently touches them. If these panels are left soiled for an extended period of time, the heat and light from the tanning lamps may cause the soiled areas to become permanently stained. Therefore we recommend frequently inspecting and cleaning these panels when necessary, to ensure the serviceable life of the acrylic.

- Remove fingerprints and other soiling carefully.

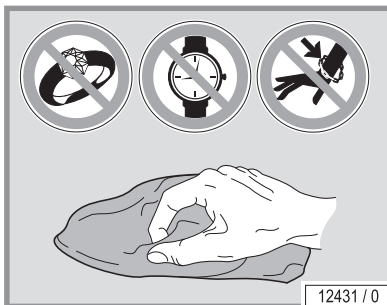
Plastic surfaces

For cleaning the remaining painted and unpainted plastic surfaces, it is best to simply use warm water and a commercially available soft chamois leather. Never use aggressive cleaning agents containing alcohol or essential oils. These may lead, in the long run, to damages not covered by the warranty.

During cleaning a slight discoloration of the leather cloth by the rubber seals should be expected for production-related reasons.

Prevent damage to the acrylic glass and plastic surfaces.

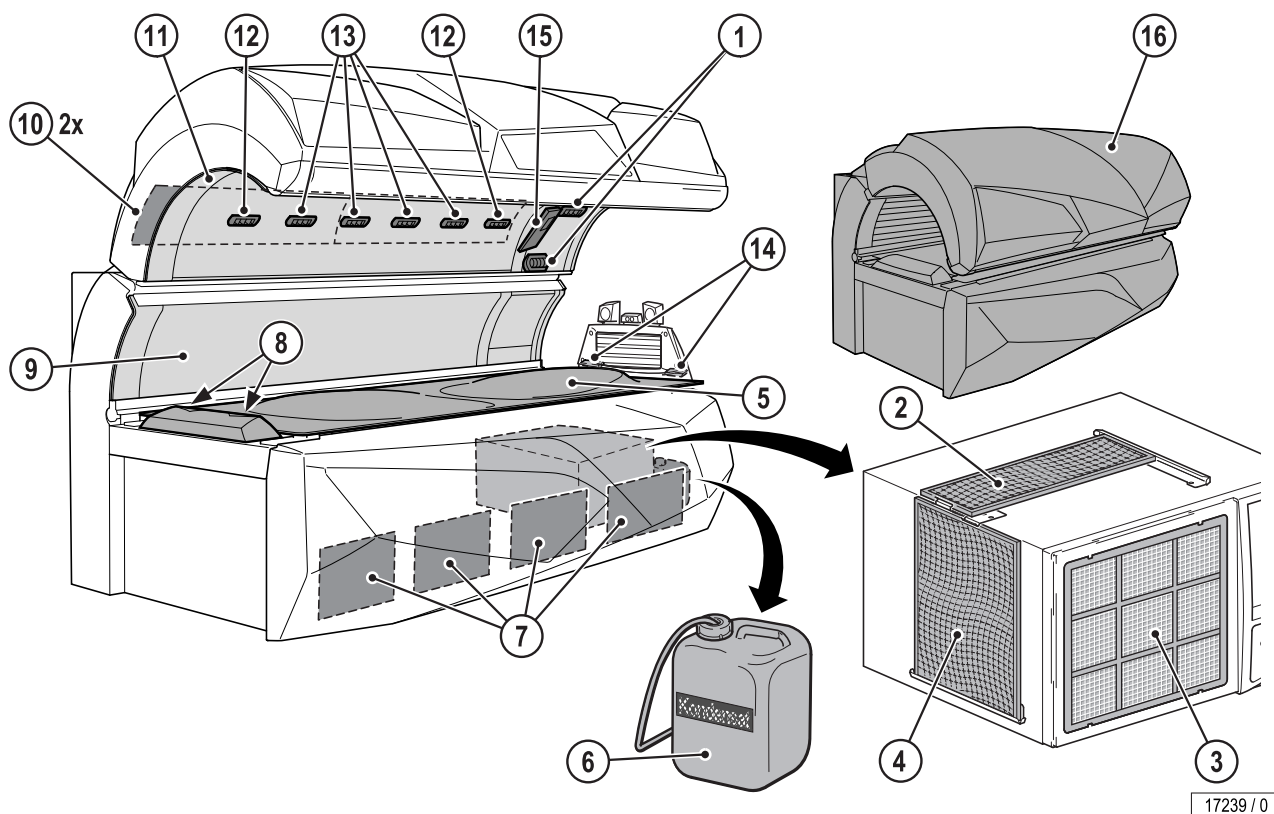
- Remove rings, watches, bracelets etc. before starting cleaning work.



Filter panels and lamps

- UV low pressure lamps and filter panels can be cleaned with a damp cloth (without additional cleaning agents) where necessary.
- UV high pressure lamps can be cleaned with ethyl alcohol where necessary.

12.15.2 Cleaning/disinfection plan



17239 / 0

Component	Interval	Activity	See page
	After each tanning session When necessary 50 h		
1 Adjustable air nozzles	X	Clean and disinfect	57
5 Acrylic panel	X	Clean and disinfect	58
15 Operating panel	X	Clean and disinfect	57
Protective goggles	X	Clean and disinfect	57
MP3 cable	X	Clean and disinfect	57
6 Condensation tank	X	Empty	79
8 Body cooling air nozzles, foot end	X	Clean	57
9, 11, 16 Surfaces	X	Clean	58
12 Nozzles AQUA / AROMA SYSTEM	X	Clean	57
13 Body cooling air nozzles	X	Clean	57
2-4 Filter	X	Remove and clean filter	79
7 Filter	X	Remove and clean filter	76
10 Filter	X	Remove and clean filter	77
14 Filter	X	Remove and clean filter	77



NOTE:

If desired, you may set the unit to require that cleaning/disinfection be confirmed after each tanning session by pressing the START/STOP button (when the cool-down time for the main fan has finished).

12.16 How to maintain

12.16.1 Technical modifications

The device has been constructed in accordance with current safety regulations. The illustrations and specifications on these instructions are subject to technical modifications which are required in order to improve the device.

Unauthorized modifications and changes to the device and its control unit are prohibited.

Use only OEM spare parts.

12.16.2 Maintenance plan



NOTE:

The service of the device may only be carried out by authorized, trained and qualified staff.

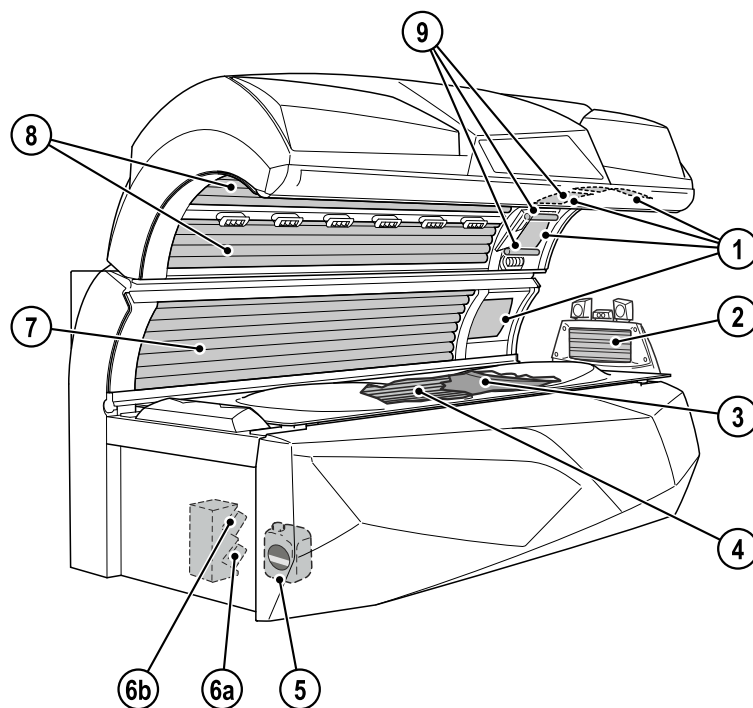
NOTICE

Only use OEM spare parts of the same type! The use of other parts will void the manufacturer's warranty!

Any liability is excluded in case of damage or injury proven to be the result of the use of non-genuine spare parts.

The following maintenance activities shall be performed by the studio operator.

Maintenance performed by the studio operator



17240 / 1

Component	Interval						Activity	See page	
	When necessary	300 h	500 h	800 h	1000 h	3000 h			
5	AQUA SYSTEM	X					Replace	82, 83	
6a-6b	AROMA canister		X				Replace	82	
1	Facial tanner UV high pressure lamps				X		Replace	73, 73	
9	Facial tanner UV-B low pressure lamps (TYPE B)			X			Replace	73	
2	Shoulder tanner UV low pressure lamps			X			Replace	75	
3	UV low pressure lamps, base				X		Replace	72	
7	UV low pressure lamps, side section				X		Replace	73	
8	UV lamps, canopy				X		Replace	73	
1	Starter, UV low pressure lamps facial tanner					X	Replace	73	
4	Partition						X	Replace	64
2	Starter, shoulder tanner					X	Replace	75	
3	Starter, UV low pressure lamps, base					X	Replace	72	
7	Starter, UV low pressure lamps, side section					X	Replace	73	

	Component	Interval					Activity	See page
		When necessary	300 h	500 h	800 h	1000 h		
8	Starter, UV low pressure lamps canopy					X	Replace	73
9	Starter, UV low pressure lamps facial tanner					X	Replace	73

Maintenance performed by authorized, trained and qualified staff

In addition to the maintenance plan on page 60, the following items should be checked to ensure safe operation and use of your tanning system.

Component	Activity						
	500 h / 6 months	2000 h / 1 year	5000 h / 5 years	10000 h / 10 years			
1 Springs	X						Inspect and replace as necessary
Springs				X			Replace
2 Bolts and fasteners of the canopy hinge mechanism		X					Inspect and replace as necessary
Bolts and fasteners of the canopy lift mechanism		X					Inspect and replace as necessary
Bolts and fasteners of the canopy hinge/lift mechanism					X		Replace
3 Bolts and fasteners of the base/tank hinge/lift mechanism		X					Inspect and replace as necessary
Bolts and fasteners of the base/tank hinge/lift mechanism					X		Replace
4 Cylinders	X						Inspect and replace as necessary
Cylinders					X		Replace
5 Chassis and associated fasteners	X						Inspect and replace as necessary
Chassis and associated fasteners					X		Replace
6 Wiring and associated plugs / terminal connections	X						Inspect and replace as necessary
7 Acrylic panels ²	X						Inspect and replace as necessary
Acrylic panels ²		X					Replace
8 Acrylic support(s)		X					Inspect and replace as necessary
Acrylic support(s)				X			Replace
9 High pressure filter glass	X						Inspect and replace as necessary
High pressure filter glass		X					Replace
10 High pressure lamp holder	X						Inspect and replace as necessary
High pressure lamp holder		X					Replace
11 Electrolytic capacitors					X		Replace
12 Conductors					X		Replace

¹Interval must be repeated after each inspection or replacement (i.e. 1st: 3 months, 2nd: 6 months, 3rd: 9 months, etc.)

²The schedule for acrylic replacement listed refers only to the condition of the acrylic relating to safety and does not address the efficacy of UV transmission.



NOTE:

If the device is in service for longer than 10 years, it must be completely overhauled by a trained service technician.

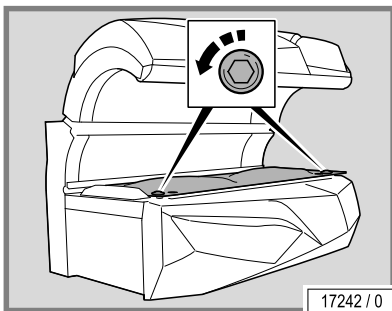
12.16.3 Cleaning and maintenance work preparation

Service kit

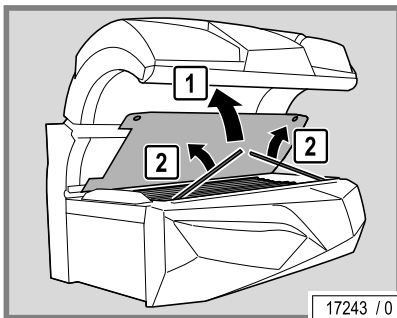
Not applicable for this device.

Lift up the acrylic panel and remove the partition

- Remove the screws.



- Lift up the acrylic panel.
- Lift up the supports and prop the acrylic panel on them.

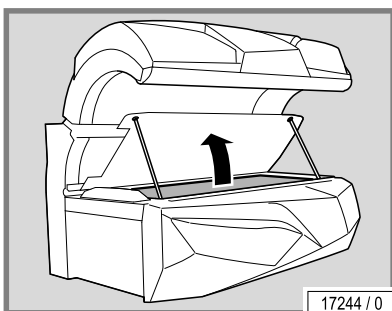


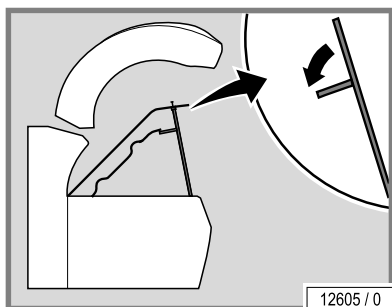
NOTICE

Risk of scratching!

- Use the recesses provided on the acrylic panel.
-

- Lift up the partition (only for devices with an air conditioning unit).



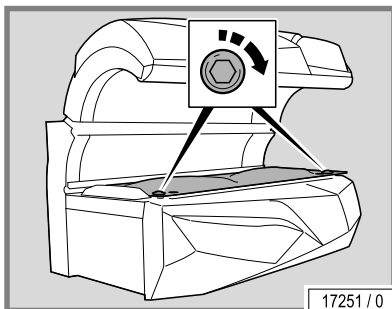


- Fold out the supports.
- Prop the partition on the supports.

The assembly is the same process in reverse order.

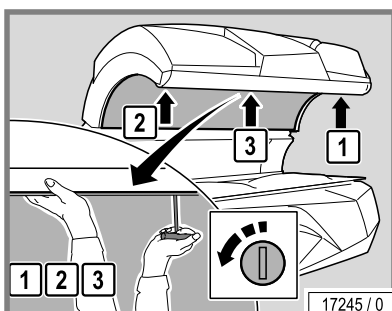
When assembling the device please note:

- Remove fingerprints and other soiling carefully.

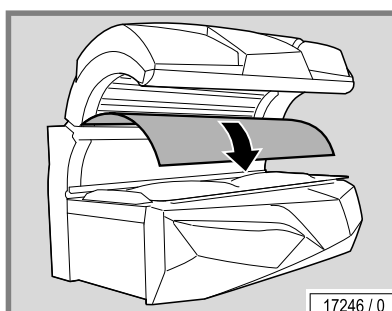


- Replace and retighten the screws.

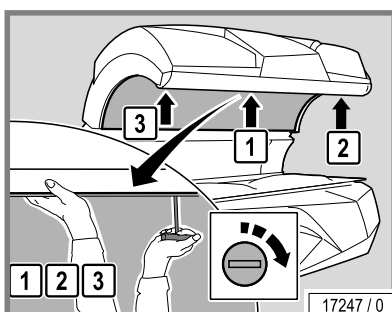
Remove the canopy panel



- Turn the locks through 90°: first the outer locks, then the lock in the middle.
- Support the canopy panel with one hand so that it does not fall down.



- Carefully lower the canopy panel.



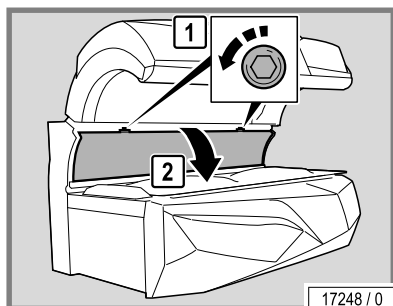
The assembly is the same process in reverse order.

When assembling the device please note:

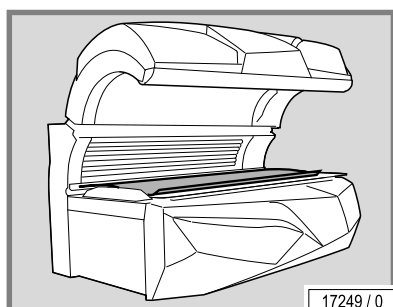
- Support the canopy panel with one hand so that it does not fall down.
- Re-lock the locks: first the lock in the middle, then the outer locks.

Remove the side section panel

- Turn the locks through 90°.

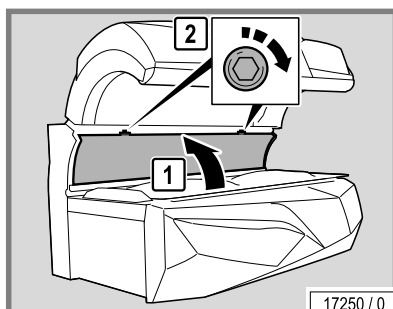


- Open the panel and lay it down carefully.

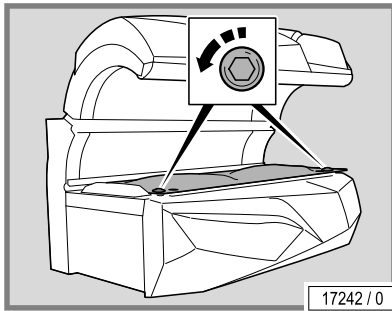


When assembling the device please note:

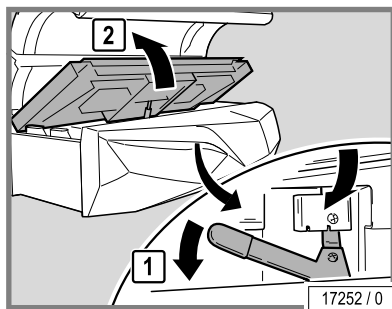
- Re-lock the locks.
- Remove fingerprints and other soiling carefully.



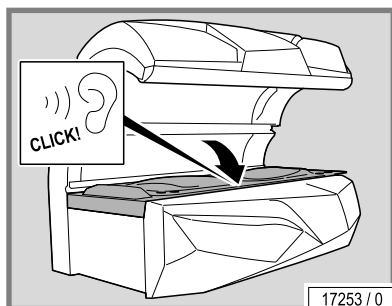
Open the bed base



- Remove the screws.



- Press the bed base gently downwards.
- Release the lock at the head end.



The assembly is the same process in reverse order.

When assembling the device please note:

- The bed base must lock with an audible click when closed.

12.16.4 Instructions for replacing the lamps

WARNING!



WARNING!

Danger of burns from hot lamps and device parts!

If the tanning device was operated before being switched off and opened, lamps and housing parts may be hot.

- **Before replacing lamps or other spare parts, wait until lamps and metal parts of the device have cooled down sufficiently.**

The UV effect of the lamps and thus the tanning effect decreases over the course of time. Therefore, the replacement intervals specified in the maintenance plan must be adhered to.

UV filters are used in order to control the UV radiation, e.g. the filter panels in the facial tanner. However, the filter effect decreases over the course of time. You must adhere to the replacement intervals specified in the maintenance plan.



NOTE:

Small quantities of mercury can escape if the bulb/lamp glass breaks!

Please comply with the following instructions:

- Immediately disconnect the device from the mains power.
- Children must leave the room immediately.
- Ventilate the room for at least 15 minutes.
- Put on disposable gloves.
- With the window open: Collect the glass shards and escaped mercury in a sealable container.
- Take the container to a collection site for waste lamps.

Changing the chip card

Not applicable for this device.

Low pressure lamps

WARNING!

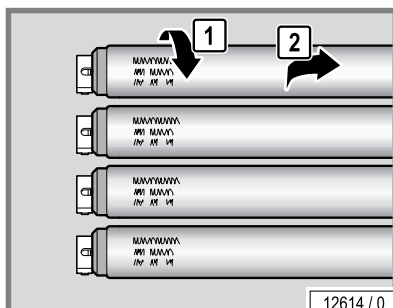


WARNING!

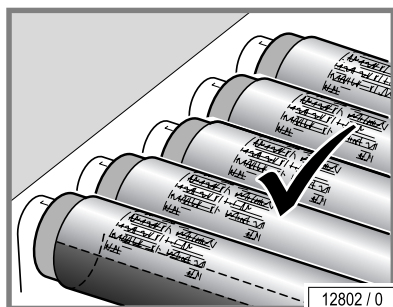
Danger of burns from hot lamps and device parts!

If the tanning device was operated before being switched off and opened, lamps and housing parts may be hot.

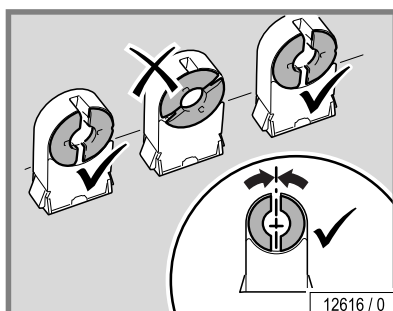
- Before replacing lamps or other spare parts, wait until lamps and metal parts of the device have cooled down sufficiently.



12614 / 0

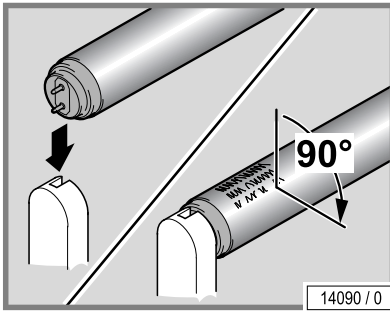


12802 / 0



12616 / 0

- Replace faulty UV low pressure lamps immediately.
- Always replace the entire set of lamps after the specified operating time.
- Turn 90° and carefully remove from the socket.
- UV low pressure lamps possess a reflector which directs the light outwards. The lamps must be mounted in such a way that the rear side of the reflector is located on the device side.
- Push the pins vertically into the socket from above.



- Turn the lamp 90°.
The lettering must be oriented towards the outside (i.e. towards the tanning room or towards the user).

Makrolon tubes

Not applicable for this device.

Starter

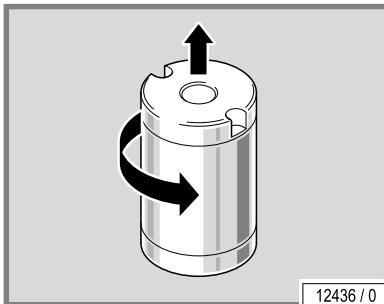
- Replace faulty starters immediately.

You can recognize a faulty starter by the blackened ends of the lamps or when the lamps can no longer be started.

Operating a lamp with a faulty starter significantly shortens its service life. The lamp loses power and may begin to flicker under certain circumstances.

The starters are located in either one of the two lamp sockets or are visible when the lamps are removed.

- Turn 90° and carefully remove from the socket.



High pressure lamps and filter panels

⚠ WARNING!



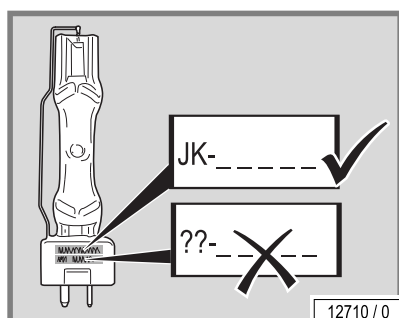
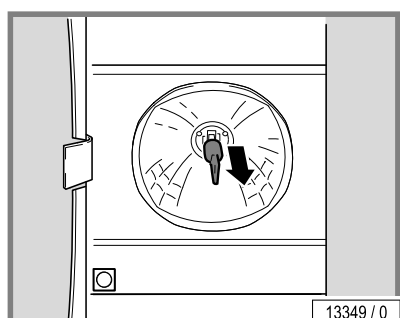
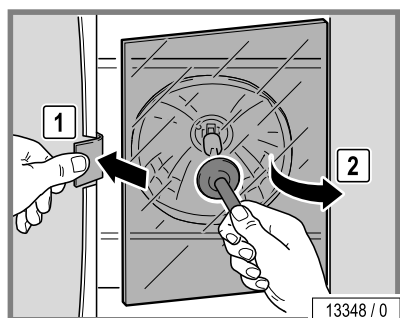
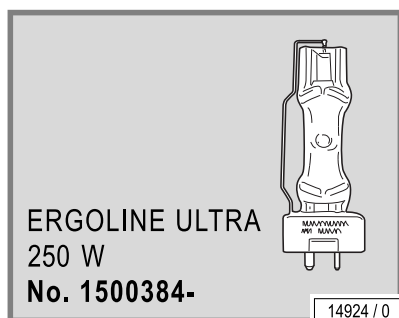
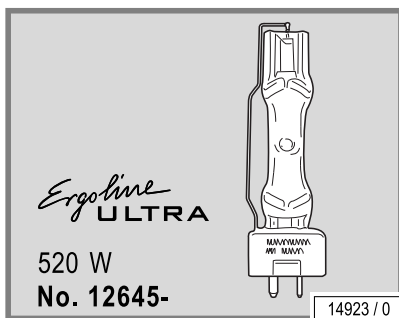
WARNING!

Danger of burns from hot lamps and device parts!

If the tanning device was operated before being switched off and opened, lamps and housing parts may be hot.

- Before replacing lamps or other spare parts, wait until lamps and metal parts of the device have cooled down sufficiently.

UV high pressure lamps are used in the facial tanner and the shoulder tanner.



⚠ WARNING!



WARNING!

Fire hazard due to overheated lamps!

Non-approved high pressure lamps can explode. Hot lamp components can set other parts on fire. People can be killed or severely injured due to smoke inhalation and fire.

- Only fit the high pressure lamps specified by the manufacturer.
- Clean the inside of the device regularly. Dust particles are flammable!

NOTICE

Danger of overheating will exist if the wrong UV high pressure lamps are fitted in the shoulder tanner.

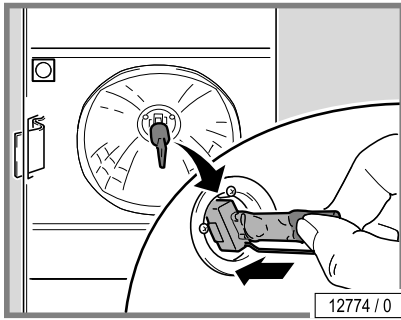
The device might be damaged.

- Never interchange the UV high pressure lamps used in the facial tanner with those used in the shoulder tanner!

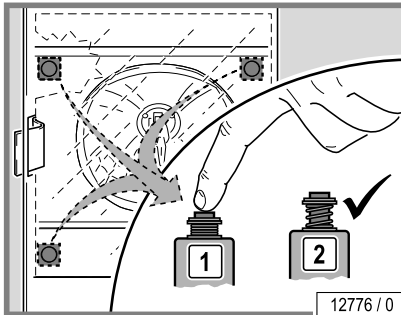
- Release the clamping holder.
- Lift the filter panel, pull it out of the guide and remove it.

- Unplug the UV lamps.
- Clean the reflector.

- Only utilize original UV lamps.



- Only touch new lamps in the handling zone.



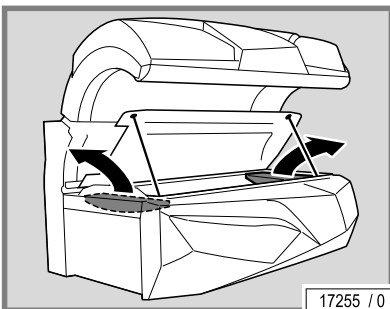
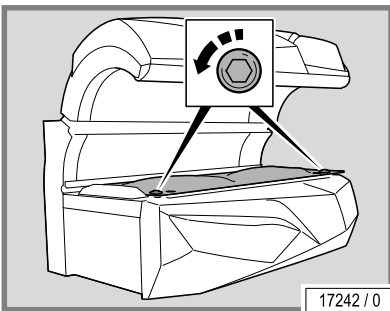
- Test the safety switch to ensure that it works.
The safety switch ensures that the device switches off in the event of a faulty filter panel or when a filter panel is missing.
- Press the button and release it.
If the button springs back automatically then it is functional.
- Replace the filter panel.

12.16.5 Cleaning and disinfection of the sensor

Not applicable for this device.

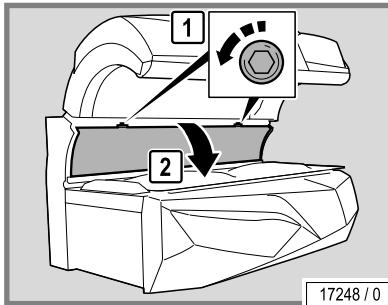
12.16.6 Cleaning or replacing UV lamps in the base

- Lift up the acrylic glass panel and the partition: see page 64.



- Remove the lamp covers at the head and foot ends.
Replacing lamps: see page 69.
The assembly is the same process in reverse order.

12.16.7 Cleaning or replacing the UV lamps in the side section

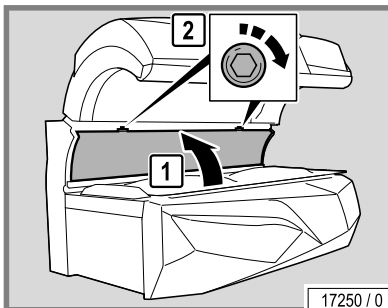


- Removing the side section panel: see page 66.

Replacing lamps:

UV low pressure lamps: see page 69.

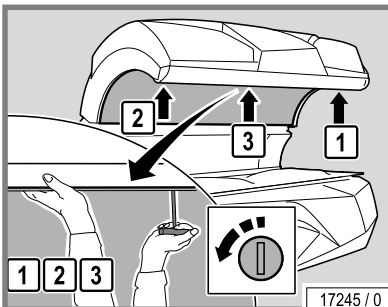
UV high pressure lamps and filter panels: see page 70.



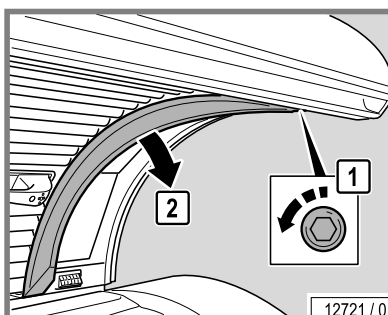
When assembling the device please note:

- Re-lock the locks.

12.16.8 Cleaning or replacing UV lamps and filter panels in the canopy



- Removing the canopy panel: see page 65.



- Remove the screws and then remove the lamp cover.

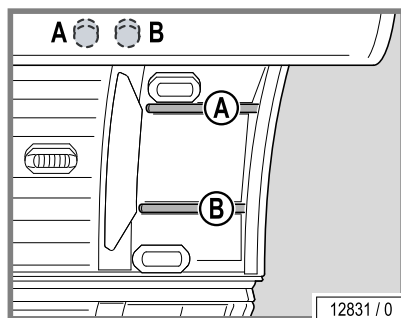
The following components listed in the maintenance plan are fitted in the canopy:

Replacing lamps:

UV low pressure lamps: see page 69.

UV high pressure lamps and filter panels: see page 70.

- Facial tanner filter panels
- Facial tanner UV low pressure lamps and the associated starters

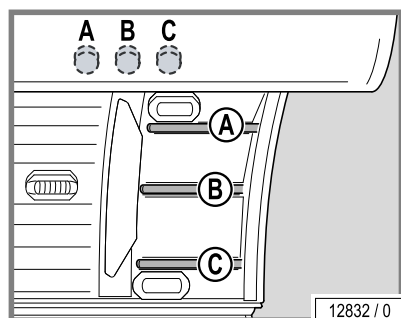


Model-No.: JK 155 / 46-3 (AC) :

These devices have 2 UV low pressure lamps in the facial tanner.

The facial tanner's UV low pressure lamps must be removed first so that the UV high pressure lamps and the filter panels can be changed.

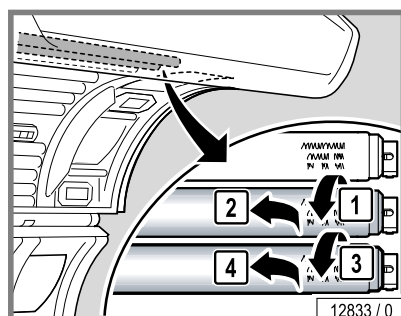
- Remove the lamps.



Model-No.: JK 155 / 50-4 TT:

These devices have 3 UV low pressure lamps in the facial tanner.

- Remove the lamps.

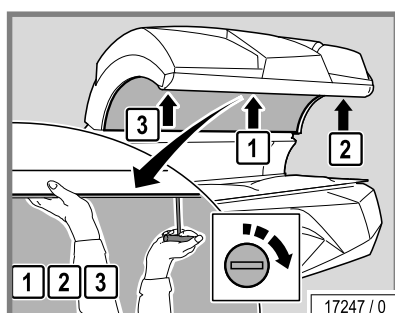


- Remove the two upper low pressure lamps in the canopy so that you can then access the facial tanner's low pressure lamp starter.

Replacing lamps: see page 69.

Replacing starters: see page 70.

UV high pressure lamps and filter panels: see page 70.



The assembly is the same process in reverse order.

When assembling the device please note:

- Support the canopy panel with one hand so that it does not fall down.
- Re-lock the locks: first the lock in the middle, then the outer locks.

12.16.9 Cleaning or replacing the UV lamps in the shoulder tanner

WARNING!

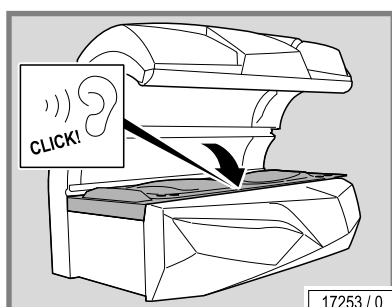
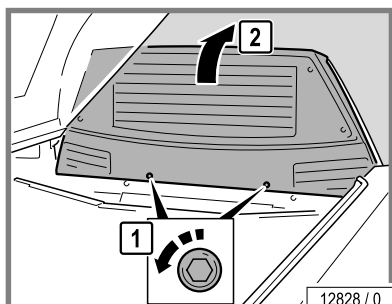
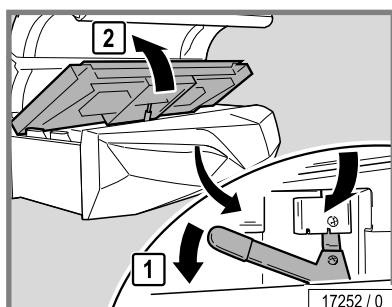


WARNING!

Danger of burns from hot lamps and device parts!

If the tanning device was operated before being switched off and opened, lamps and housing parts may be hot.

- Before replacing lamps or other spare parts, wait until lamps and metal parts of the device have cooled down sufficiently.



- Opening the bed base: see page 67.

- Remove the screws and then remove the lamp cover.

Replacing lamps: see page 69.

Replacing starters: see page 70.

The assembly is the same process in reverse order.

When assembling the device please note:

- The bed base must lock with an audible click when closed.

12.16.10 Cleaning or replacing the interior lights

Not applicable for this device.

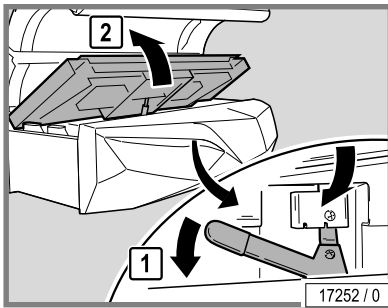
12.16.11 Cleaning or replacing the canopy accent lighting

Not applicable for this device.

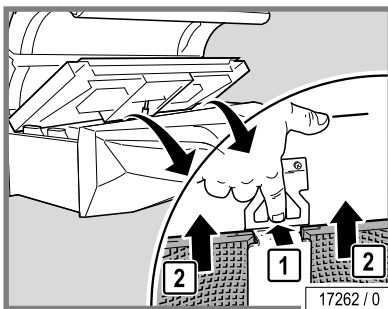
12.16.12 Cleaning or replacing the front panel accent lighting

Not applicable for this device.

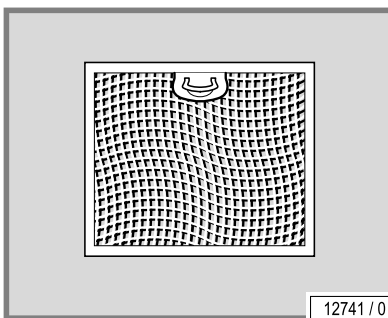
12.16.13 Cleaning the filters in the base



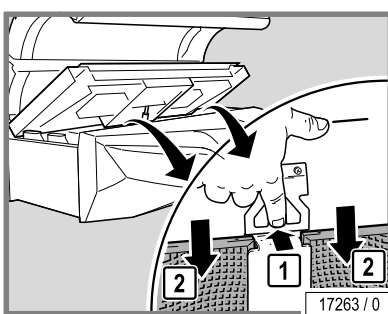
- Opening the bed base: see page 67.



- Remove the filters.



- Clean the filters wet or dry.
Dry cleaning: Vacuum cleaner (depending on the degree of soiling)
Wet cleaning: Use water and detergent or put in a dish-washer



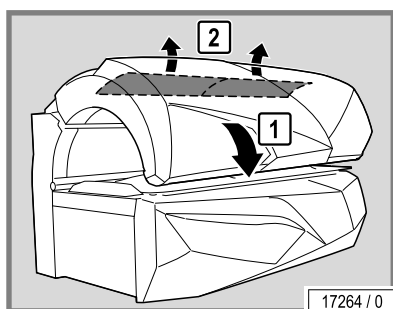
NOTICE

The device may be damaged by moisture!

The cleaned filters must be dry before they are replaced.

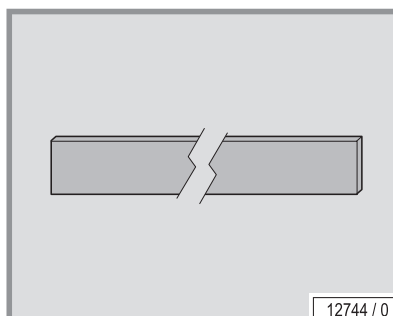
- Reinstall the cleaned and dried filters.
- Close the bed base. You should hear the bed base click into place.

12.16.14 Cleaning the canopy filter mats



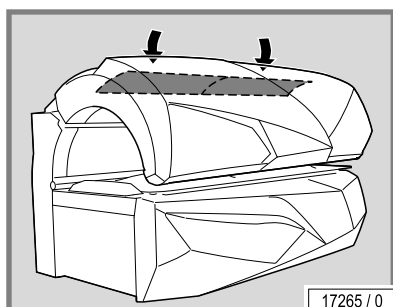
17264 / 0

- If necessary, cover the canopy in order to prevent the paint from being scratched.
- Remove the filter mats fitted at the back of the canopy.



12744 / 0

- Dry or moist clean the filter mats or replace with new ones.
- Dry cleaning: Vacuum cleaner (depending on the degree of soiling)
Moist cleaning: Water and detergent
- **Do not clean in the dish-washer!**



17265 / 0

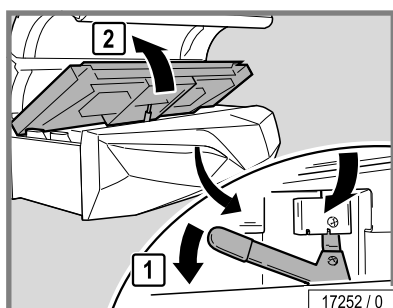
NOTICE

The device may be damaged by moisture!

The cleaned filters must be dry before they are replaced.

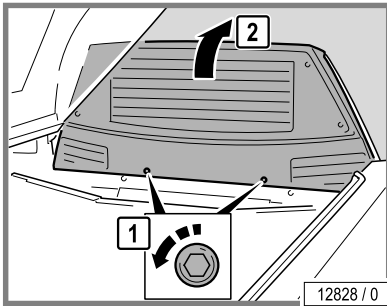
- Refit the cleaned and dried filter mats.

12.16.15 Cleaning the filter mats in shoulder tanner

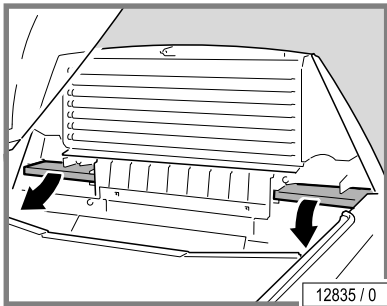


17252 / 0

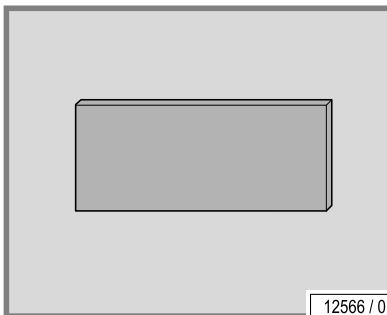
- Opening the bed base: see page 67.



- Remove the screws and then remove the lamp cover.



- Remove the filter mats.

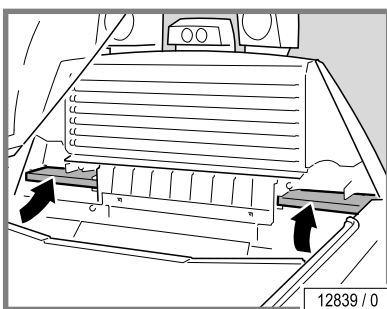


- Dry or moist clean the filter mats or replace with new ones.
Dry cleaning: Vacuum cleaner (depending on the degree of soiling)
Moist cleaning: Water and detergent
- **Do not clean in the dish-washer!**

NOTICE

The device may be damaged by moisture!

The cleaned filters must be dry before they are replaced.

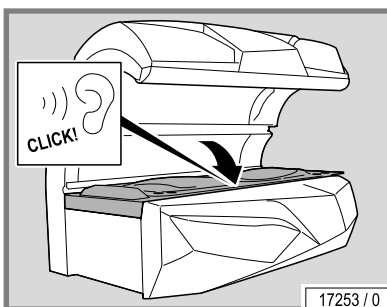


- Refit the cleaned and dried filter mats.

The assembly is the same process in reverse order.

When assembling the device please note:

- The bed base must lock with an audible click when closed.



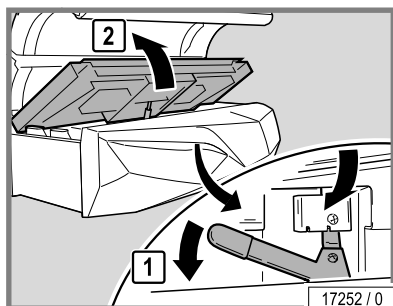
12.16.16 Air conditioning: Empty the condensation tank and clean the filter

NOTICE

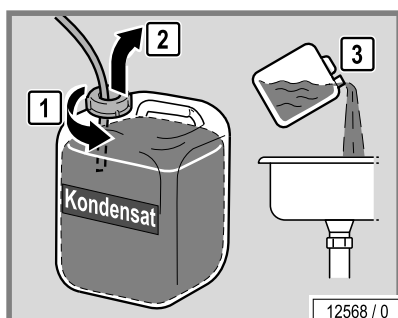
Damage to the device through soiled filters and cooling fins!

Regularly check the filter grill and cooling fins on the air conditioning system and clean if necessary.

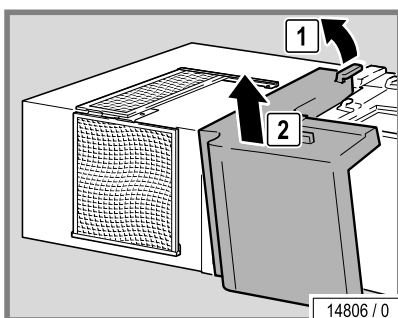
We recommend using the specially manufactured fin comb, art-no. 15720470, to clean the cooling fins.



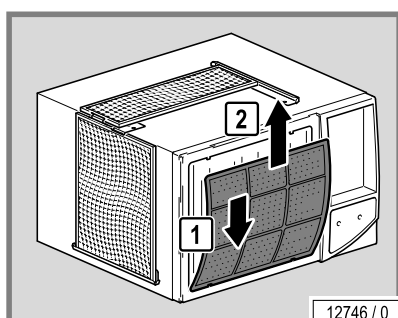
- Opening the bed base: see page 67.



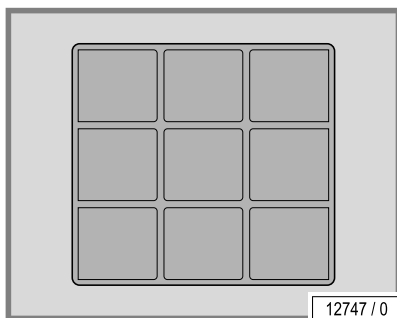
- Bring the condensation tank forwards.
- Disconnect the hose on the condensation tank.
- Empty the condensation tank.



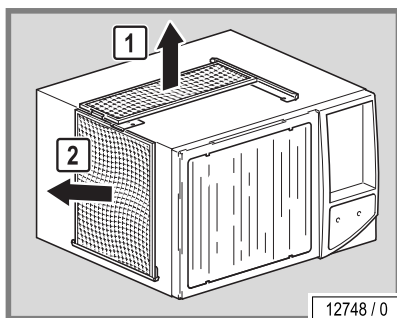
- Remove the cover.



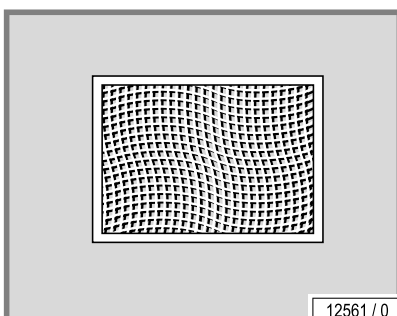
- Remove the filter from the holder.



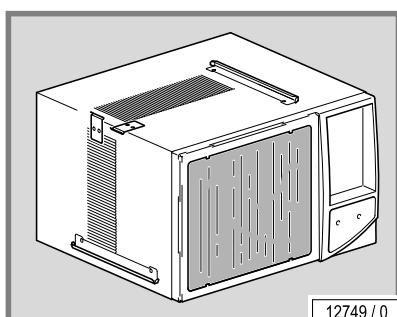
- Clean the filter moist or dry:
Dry cleaning: Vacuum cleaner (depending on the degree of soiling)
Moist cleaning: Water and detergent
- **Do not clean in the dish-washer!**



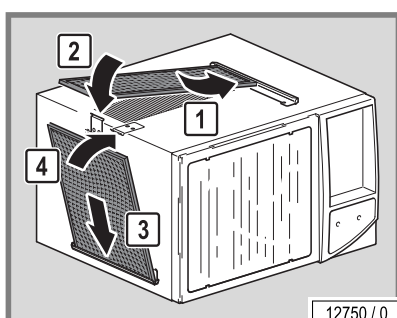
- Remove the filter from the holder.



- Clean the filters wet or dry.
Dry cleaning: Vacuum cleaner (depending on the degree of soiling)
Wet cleaning: Use water and detergent or put in a dish-washer



- Use a fin comb to clean the air conditioning's dirty cooling fins.

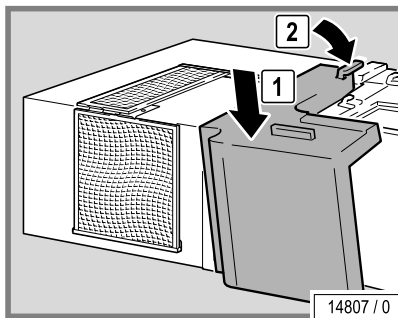
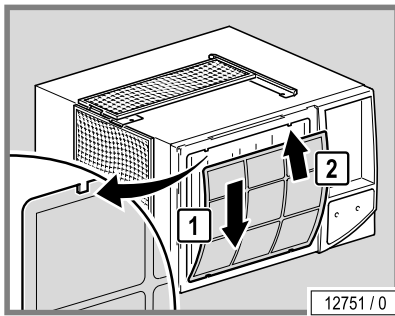


NOTICE

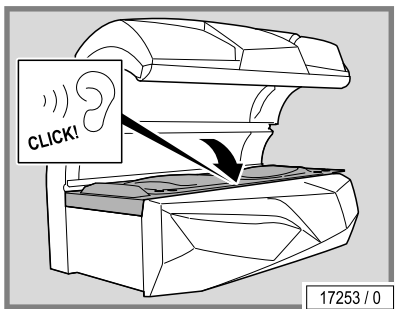
The device may be damaged by moisture!

The cleaned filters must be dry before they are replaced.

- Reinstall the cleaned and dried filters.
- Ensure that the filters are correctly positioned in the holder.



- Attach the cover.



- Connect the condensation tank to the hose.
- Replace the condensation tank.
- Close the bed base. You should hear the bed base click into place.

12.16.17 AQUA / AROMA SYSTEM maintenance

The AQUA SYSTEM function sprays a fine mist of AQUA SOLAR WITH SKIN+ ADDITIVE into the interior of the device for body cooling (see 'AQUA SYSTEM PRODUCT INFORMATION', order no. 1011201-..).



⚠ WARNING!



Customer health hazard!

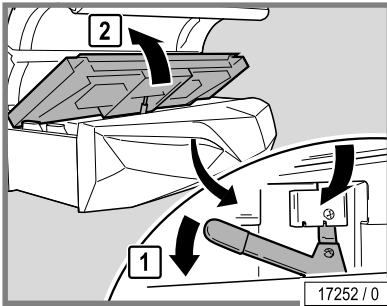
Water that has been contaminated with bacteria can cause skin rashes and other allergic reactions in device users.

- Therefore you must never fill the AQUA SYSTEM canister with tap water or other liquids.
- Only replace the AQUA SYSTEM canister with a genuine canister.
- Do not add any liquid that remains in the old canister to the new canister!
- Ensure that the maximum temperature specified is not exceeded during transport and storage.
- Note the expiration date on the canister.

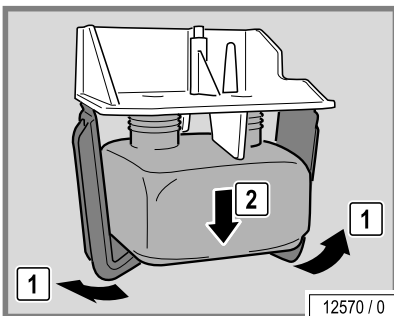
This AQUA / AROMA SYSTEM also includes the 'RELAX' fragrance, which is distributed through the head nozzles. Another fragrance called 'CABIN' is distributed within the cubicle.

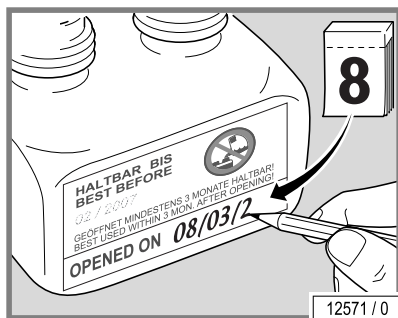
Changing the AROMA canister

- Opening the bed base: see page 67.

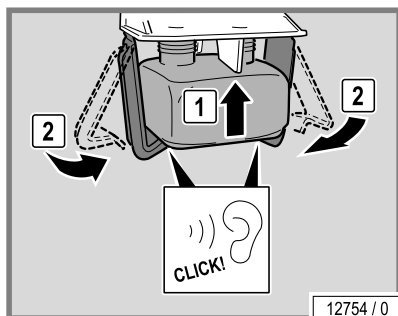


- Remove the AROMA canister.



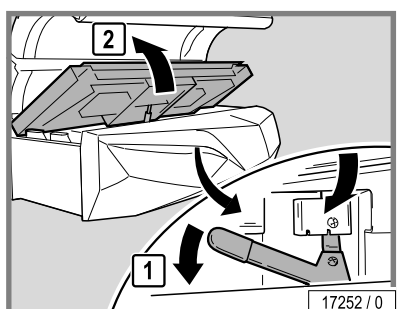


- Unscrew the lid on the new canister.
- Write the date on the canister.

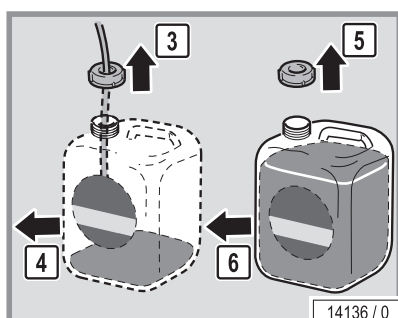


- Fit the new canister in the holder.
- Close the bed base. You should hear the bed base click into place.

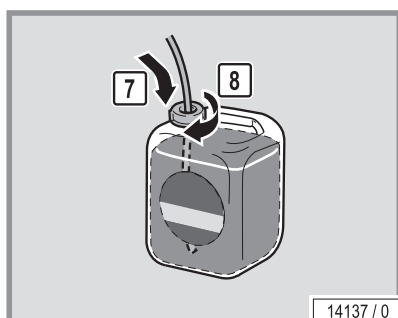
Replacing the AQUA SYSTEM canister



- Opening the bed base: see page 67.



- Remove the canister.
- Unscrew the lid on the new canister.
- Remove the lid with the hose from the old canister.



- Screw the lid with the hose onto the new canister.
- Push the hose well down so that it touches the bottom of the canister.
- Put the canister back in the device.
- Close the bed base. You should hear the bed base click into place.

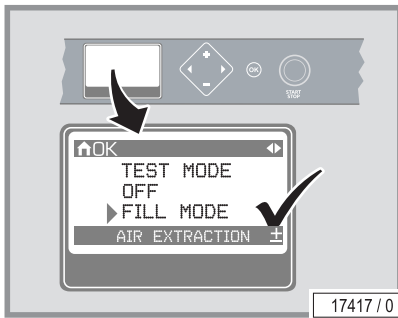
Venting



NOTE:

To Ventilate, access to the Professional Setup Manager on the control panel is required.

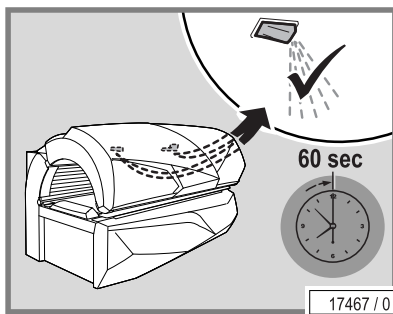
- Go to the Professional Setup Manager.
- Activate the fill mode in the AQUA MIST AROMA menu.



- Close the canopy.

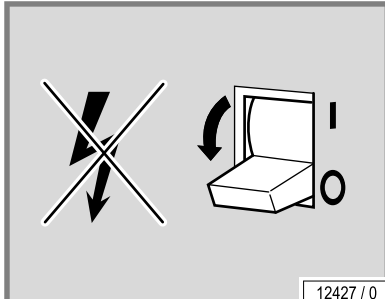
The system will now be ventilated for 60 seconds. The AQUA SYSTEM liquid will be released from the nozzles during this period.

- Then test the AQUA SYSTEM in test mode. In test mode, the nozzles spray for 3 seconds. Repeat the ventilation process if it does not work.



12.17 How to store the device

12.17.1 Decommissioning



The device must be disconnected from the power supply in order to temporarily or permanently decommission it.

You must abide by the legal disposal requirements when permanently decommissioning the device.

12.17.2 Storage

Store the devices in a dry, frost-free location with a stable temperature. Once the device has cooled off, pack it in plastic wrapping to protect it against scratches.

- Storage temperature: Between 5 °F (-15 °C) and 140 °F (+60 °C)

12.17.3 Disposal

Environmental regulations – disposal of lamps and batteries

UV lamps contain fluorescent materials and other waste containing mercury. Batteries contain heavy metal compounds.

Dispose of UV lamps and batteries according to the national waste disposal laws and in accordance with the municipal waste regulations.

Packaging

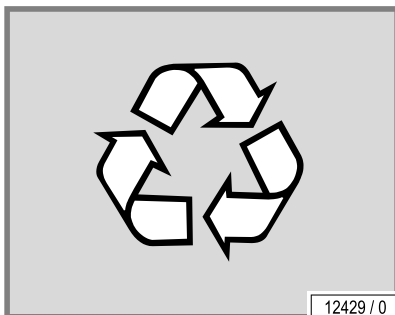
All packaging consists of 100 % recyclable materials.

Disposal of old devices

The device has been manufactured using recyclable materials. The JK Corporate Group will provide you with information on the content or potential hazards of the materials used.

Disposal of consumable supplies

Dispose of AQUA SYSTEM and AROMA containers and their contents according to the national waste disposal laws and in accordance with the municipal waste regulations.



13 What to do when things go wrong

WARNING!



Follow instructions!

Failure to use protective eyewear may result in severe burns or other eye injury. If discomfort develops, discontinue use and consult a physician.

- UV devices must not be used without taking medical advice if unexpected effects, such as itching, occur within 48 hours of the first session.
- The tanning device must never be used if a filter panel is missing or damaged, or the timer is defective!
- UV light from the sun or UV systems can cause injuries to the skin or eyes. This biological effect is dependent on the sensitivity of the individual's skin and on the type and amount of UV light.
- As with natural sunlight, overexposure can cause eye and skin injury, sunburn, and allergic reactions.
- Medications (taken internally or otherwise) or cosmetics applied to the skin, may increase sensitivity to ultraviolet light.
- A person having a history of skin problems should consult a physician before use.

- **Seek medical advice if in doubt!**



NOTE:

Occasionally, persons using the tanning device will experience a slight reddening of the skin – usually in small patches – after the second or third session. This redness is often accompanied by an itching sensation. This may be nothing more than a very limited heat 'rash' caused by heat from the lamps within the device. It should go away within approximately 24 hours and should not reappear. This rashing can be lessened or prevented by applying moisturizer lotion to the affected area after the tanning session is completed.

- Follow instructions.
- The time between the first two tanning sessions must be at least 24 hours.
- Increasing tanning also requires an extension of the exposure time (= radiation time) or after a certain degree of tanning has been achieved, a further intensification is not possible. However, the radiation time may not be extended as desired within the scope of the permissible radiation doses! Therefore, only a certain degree of final tanning dependent on the skin type can be achieved without endangering your health.
- Inform users about proper tanning.

13.1 Troubleshooting

Software and device malfunctions are indicated by error codes, e.g. E005.

These error codes are output to the display to simplify troubleshooting:

- If a fault occurs, the error code flashes on the display.
- If several errors occur, the error messages are displayed alternately.
- Error elimination is acknowledged by pressing the **START/STOP** button.
- If the error cannot be cleared, contact Customer Service (see page 2) or your local service provider

More detailed information regarding the error description and solutions is available in the document 'Error Codes' #1011831-., which you find in the Technical Documentation folder.

For authorized, trained and qualified staff:

For further technical description, please contact Custer Service (see page 2).

WARNING!



WARNING!

Danger of skin injuries and skin diseases.

- The tanning device must never be used if a filter panel is missing or damaged, or the timer is defective!

14 Where you can find out more

If you have any questions, please contact Customer Service (see page 2).

15 How we studied this device

The system is built to the state of the art and the applicable safety regulations.

We reserve the right to make technical changes which are necessary to improve the system or a system component even if they deviate from pictures and information in these instructions.

16 Appendix

16.1 Model-No.: JK 155...: EMC information

16.1.1 Table 201: Guidelines and manufacturer's declaration – Electromagnetic emissions

The tanning system has been designed for use in the electromagnetic environment specified below. The device operator must ensure that it is used in such an environment.

Emission measurements	Conformity	Electromagnetic environment – Guidelines
HF emissions as per CISPR 11	Group 1	Model-No.: JK 155... uses HF power solely for internal functions. Therefore the HF emissions are very low and it is highly unlikely that it will cause any interference to adjacent electronic equipment.
HF emissions as per CISPR 11	Class B	Model-No.: JK 155... has been designed for use in all devices, including those in residential areas, and it has been determined that it can be used for residential purposes as soon as it is connected up to a public mains supply that also supplies buildings.
Harmonics IEC 61000-3-2	Class A	
Voltage fluctuations / Flicker IEC 61000-3-11	Fulfilled	The obligations listed in Sub-section 6.2.2 of EN 61000-3-11:2000 must be taken into consideration. In particular, the 0.14 ohm line impedance must be guaranteed for pulse massaging.

16.1.2 Table 202: Guidelines and manufacturer's declaration – Electromagnetic interference


The tanning system has been designed for use in the electromagnetic environment specified below. The device operator must ensure that it is used in such an environment.

Interference immunity tests	IEC 60601 - Test level	Defined level	Electromagnetic environment – Guidelines
Discharging static electricity (ESD) IEC 61000-4-2	±6 kV contact discharge ±8 kV air discharge	±6 kV contact discharge ±8 kV air discharge	–
Fast transient electrical noise / bursts IEC 61000-4-4	±2 kV for mains supplies	±2 kV for mains supplies	–
Surges 61000-4-5	±1 kV series mode voltage ±2 kV common mode voltage	±1 kV series mode voltage ±2 kV common mode voltage	–
Magnetic field radiated by supply frequency (50/60 Hz) IEC 61000-4-8	3 A/m	3 A/m	–
Voltage drops, Short interruptions and supply voltage fluctuations IEC 61000-4-11	<5% U_T (>95% drop in U_T) for 0.5 periods 40% U_T (60% drop in U_T) for 5 periods 70% U_T (30% drop in U_T) for 25 periods <5% U_T (>95% drop in U_T) for 5 s	<5% U_T (>95% drop in U_T) for 0.5 periods 40% U_T (60% drop in U_T) for 5 periods 70% U_T (30% drop in U_T) for 25 periods <5% U_T (>95% drop in U_T) for 5 s	–

Note: U_T is the mains alternating voltage used for the test levels.

16.1.3 Table 204: Guidelines and manufacturer's declaration – Electromagnetic interference

The tanning system has been designed for use in the electromagnetic environment specified below. The device operator must ensure that it is used in such an environment.

Interference immunity tests	IEC 60601 - Test level	Defined level	Electromagnetic environment – Guidelines
Conducted HF noise IEC 61000-4-6	3 Vrms 150 kHz to 80 MHz	3 Vrms	<p>Portable and mobile radios are not to be used at shorter distances to the Model-No.: JK 155 / 46-3 and its cables other than the recommended safe distance, which has been calculated according to the transmitting frequency are made.</p> <p>Recommended safe distance:</p> $d = 1.2\sqrt{P}$ $d = 1.2\sqrt{P} \text{ 80 MHz to 800 MHz}$ $d = 2.3\sqrt{P} \text{ 800 MHz to 2.5 GHz}$ <p>P is the transmitter's maximum output power (nominal rating) in Watts (W) according to the details provided by the manufacturer of the transmitter and the recommend safe distance is given in metres (m).</p> <p>The field strength of the stationary radio transmitter is for all frequencies^b in accordance with tests that were carried out onsite^a less than the determined level.</p> <p>Interference is possible in the immediate surrounding of equipment that carry the following symbols.</p> 
Radiated HF noise IEC 61000-4-3	3 V/m 80 MHz to 2.5 GHz	3 V/m	

Comment 1: The higher value applies to 80 MHz und 800 MHz.

Comment 2: These guidelines might not apply to all situations. The propagation of electromagnetic waves is affected by absorption and reflexes caused by buildings, objects and people.

- a The field strength of a stationary transmitter e.g. standard cell phone stations (mobile / cordless phones) and public mobile radio services, amateur stations, MW and UHF radio and TV transmitters) cannot be precisely determined for theoretical reasons. It is recommended that an onsite test should be carried out in order to determine the electromagnetic environment caused by stationary HF transmitters. If the field strength of the massage device determined at the installation site exceeds the defined HF level listed above then the device must be monitored with regard to its normal operation. If any abnormal characteristics are recorded then it will be necessary to introduce additional measures, such as re-orientation or converting the device.
- b The field strength must be less than 3 V/m over the frequency ranges from 150 kHz to 80 MHz.

16.1.4 Table 206: Recommended safe distances between portable and mobile HF communications equipment and Model-No.: JK 155...

Model-No.: JK 155... has been designed for use in an electromagnetic environment in which the radiated HF interference is controlled. The operator of the device can help to reduce electromagnetic interference by maintaining a safe distance between the portable and mobile HF communication devices (transmitters) and the device itself as recommended below with regard to the communication device's maximum output power.

Nominal transmitter power (W)	Safe distance with regard to the transmitting frequency (m)		
	150 kHz to 80 MHz $d = 1.2\sqrt{P}$	80 MHz to 800 MHz $d = 1.2\sqrt{P}$	800 MHz to 2.5 GHz $d = 2.3\sqrt{P}$
0,01	0,12	0,12	0,23
10	3,8	3,8	7,3
1	1,2	1,2	2,3
0,1	0,38	0,38	0,73
100	12	12	23

The recommended safe distance (d) in metres (m) can be determined by using the equation that applies to the transmitters frequency in the case of transmitters where their nominal power is not listed above, whereby 'P' is the nominal transmitter power in Watts (W) according to the details supplied by the manufacturer of the transmitter.

Comment 1: The higher value applies to 80 MHz und 800 MHz.

Comment 2: The propagation of electromagnetic waves is affected by absorption and reflexes caused by buildings, objects and people.

17 JK-Products, Inc. – Limited Warranty

JK-Products, Inc. warrants its products to be free from defects in materials and workmanship under intended normal use as described in the unit's Operation and Instruction Manual, for a period of three (3) years from date of sale.

This Limited Warranty applies only to the original purchaser of the equipment through JK-Products, Inc. or its authorized dealer or distributor, and is not transferable.

Global Service USA obligations under this warranty are limited to repair or replacement of any defective part without charge for that part to the original purchaser, with the following exceptions:

A Fluorescent lamps are warranted against defects for a period of thirty (30) days from date of sale.

B Only parts obtained through JK-Products, Inc., its authorized dealers or distributors may be used. Transportation costs for parts shipped to the consumer and the return of defective parts to Global Service USA are not included.

C Labor will be furnished without charge for ninety (90) days from date of purchase only. All labor and related charges must be authorized by Global Service USA prior to start of repairs, and must coincide with Global Service USA established rates and time allotment policy.

D Acrylic: Refer to Manufacturer's Acrylic Warranty Policy. It is imperative that the original customer completes and returns the enclosed warranty card within 10 days after purchase to insure valid registration and coverage for potential claims.

If the warranty card is not registered, proof of purchase from JK-Products, Inc. or its authorized dealer or distributor will be required prior to any consideration on warranty claims. This could result in service delays.

This warranty is extended to the individual or legal entity, whose name appears on the warranty registration card filed with Global Service USA, or whose name appears on the original sale document and may not be transferred to any other individual or legal entity.

This warranty does not apply to any failure of the product, or any parts of the product due to alterations, modifications, misuse, abuse, accident, improper maintenance, improper installation, acts of God or if the serial number on the product has been removed, altered or defaced. Adequate packaging must be used for returned goods to prevent freight damage.

There are no warranties which extend beyond the description on the face hereof. There is no express or implied warranty of fitness of merchantability.

The remedies provided in this limited warranty are the exclusive remedies provided to the purchaser by Global Service USA and are provided in substitution of all other remedies. Consequential and incidental damages are excluded.

No person, firm or corporation is authorized to obligate JK-Products, Inc. for any liability in connection with the sale or use of these goods.

JK Products & Services, Inc. makes no guarantees on income, return on investment, market conditions, performance, etc. with any undertaking using its products and services. Past performance is not indicative of future results.

17.1 Limited Acrylic Warranty

JK Products, Inc. warrants its acrylic sheets to be free from defects in material and workmanship, under intended normal use, for a period of one (1) year from date of sale of the tanning bed. Due to the tanning lotions, cosmetics, disinfectant and improper cleaners used on tanning surfaces that cannot be controlled by JK Products, Inc., after the first thirty (30) days of warranty period acrylic will be subject to a prorated cost to the consumer.

JK Products, Inc. obligations do not include transportation charges on replacement acrylic.

JK Products, Inc. assumes no liability for the cost of removing defective sheets or installing replacement sheets, or for damage to persons or property.

To make a claim, contact an authorized dealer or distributor of JK-Products, Inc. or Global Service USA with the model number, the serial number, and the date of purchase of the bed in which the acrylic will be used.

There are no warranties which extend beyond the description on the face hereof. There is no express or implied warranty of fitness or merchantability.

The remedies provided in this limited warranty are the exclusive remedies provided to the purchaser by Global Service USA and are provided in substitution of all other remedies. Consequential and incidental damages are excluded.

JK Products & Services, Inc.
 #1 Walter Kratz Drive
 Jonesboro, AR 72401
 Phone: 800-445-0624 (toll-free)
 Fax: 870-935-9046
 e-mail: support@jkamerica.com
 http://support.jkamerica.com

17.2 Warranty Claims

17.2.1 Policy & Procedures

1. When to file a Warranty Claim:

In the event that your tanning system is not functioning properly under intended normal use as described in the unit's Operation and Instruction Manual, you may then have established cause to file a Warranty Claim.



NOTE:

Both the tanning system and legal registered owner must meet the criteria established under JK Products, Inc. Limited Warranty as described in this manual before any Warranty Claim will be considered.

2. Where to call to place a Warranty Claim:

JK-Products, Inc. is supported nationwide by an extensive dealer/distributor network through whom the majority of our units are sold. These dealers/distributors are required by contract to stock sufficient parts to meet the various warranty and nonwarranty needs of their customers.

Therefore, in order for you to properly file a Warranty Claim, you must locate the name and phone number of the dealer/distributor through whom you pur-

chased your unit. Normally this information can be easily located either on your paid invoice or other proof of purchase documentation that you received when taking delivery of the unit.

Next, notify the dealer/distributor of the serial number, model number and date unit was purchased. This will initiate the Warranty Claim process.

Upon determination of the problem, your dealer/distributor can then supply you with the part(s) and proper instructions to return your unit to working order.

Each dealer/distributor has their own internal procedure for handling Warranty Claims and credits.



NOTE:

JK-Products, Inc., the manufacturer, does not involve itself in the direct handling of a Warranty Claim except where mitigating circumstances apply and where required by law.



NOTE:

If a part returned to Global Service USA proves to be operational and not defective, or if product code numbers on part do not correspond with individual unit date on file with Global Service USA, then a 30% restocking fee will be charged in addition to the retail purchase price of part.

Acknowledgment of the Agreement is not required for acceptance of the foregoing stipulations.

3. You must comply to the instructions and warnings under chapter
 - 4.1 (Intended use),
 - 5.1 (Prohibited usage) and
 6. (What you must do to avoid serious harm)

17.2.2 Labor Warranty Claim/Credit Procedures

Global Service USA furnishes labor without charge for a period of 90 days from date of purchase. All labor and related charges must be authorized by Global Service USA prior to start of repairs, and must coincide with Global Service USA established rates and time allotment policy.

Please contact our Service Department for authorization and billing procedures.

17.3 Limited Lifetime Warranty

Global Service USA warrants specific individual components of the tanning system against defects in materials and workmanship for the life of the product. Coverage is limited to units purchased after November 1, 1994.

This warranty is restricted to the following components only:

- Steel Back Panels
- Structural Steel Frame Components
- Exterior Steel Body.



NOTE:

Components are warranted on an individual basis and not as they may effect the complete product.

Warranty coverage does not include cosmetic abnormalities such as scratches, nicks, dents, rust, oxidation of paint or other cosmetic changes that do not interfere with the designed function of the unit.

This warranty does not include failure of the product due to alteration, modifications, misuse, abuse, improper maintenance, improper installation or repair.

This warranty is not transferable and is only applicable to the original purchaser named on a completed and registered warranty record at JK-Products, Inc. headquarters.

JK Products, Inc. obligations do not include transportation charged on the shipping of new components to the customer or on the return of defective components of the manufacturer. All freight charges must be paid by the customer.

There are no warranties which extend beyond the description on the face hereof. There is no express or implied warranty of fitness or merchantability.

The remedies provided in this limited warranty are the exclusive remedies provided to the purchaser by Global Service USA and are provided in substitution of all other remedies. Consequential and incidental damages are excluded.



NOTE:

Any misuse, abuse, modification, alteration, improper maintenance, improper installation, etc. of this product or its intended use will subject said party to direct responsibility and liabilities for any and all consequences resulting from such action. Furthermore, such actions will void all warranties and may relieve Global Service USA of any liabilities relating to said product.

Warranty Registration

Please complete the back of the card below and return to JK Products and Services.

Ergoline

EDMANGEL


BEAUTYADORN

soltron

SUN DASH

ets.com



 **IMPORTANT!** Your warranty card must be completed within ten (10) business days from the date of receipt for your equipment to be covered by the manufacturer's warranty.

>< Detach Here ><

0071305201

JK PRODUCTS & SERVICES
1 WALTER KRATZ DR
JONESBORO AR 72401-9977



BUSINESS REPLY MAIL
FIRST-CLASS MAIL PERMIT NO. 295 JONESBORO AR
POSTAGE WILL BE PAID BY ADDRESSEE



**NO POSTAGE
NECESSARY
IF MAILED
IN THE
UNITED STATES**

Limited Warranty

JK Products and Services warrants its products to be free from defects in materials and workmanship under intended normal use as described in the Operation/Instruction Manual. Refer to the Operation/Instruction Manual for specific details.

This Limited Warranty applies only to the original purchaser of the equipment through JK Products and Services or its authorized distributors or dealers and may not be transferred.

JK Products & Services' obligations under this warranty are limited to the repair (or replacement) of the defective part without charge to the original purchaser with the following exceptions:

- I. Lamps (fluorescent or high pressure) are warranted against defects for a period of thirty (30) days from the date of sale.
- II. Only parts obtained through JK Products & Services, its authorized distributors or dealers may be used.
- III. Replacement parts provided may be either new or reconditioned at the discretion of JK Products & Services.
- IV. Transportation cost for parts shipped to the customer and the return of defective parts are not included.
- V. Returned parts must be received in a condition such that its functional status at the time of its removal may be ascertained. Adequate packing must be used when returning any part to JK Products & Services. Warranty coverage may be denied for any claim where the part is damaged as a result of poor or inadequate packaging.
- VI. Labor will be furnished without charge for a period of ninety (90) days from the date of sale to the original purchaser at the original location of installation. All labor related charges must be authorized by JK Products & Services prior to repair and performed by a technician authorized by JK Products & Services. Rates and charges for repairs must comply with JK Products & Services allotment policy.
- VII. Lifetime warranty applies only to main frame super structure. Refer to the Operation/Instruction manual for specific details.

The original purchaser must complete and return the attached warranty card within ten (10) business days of receipt of equipment for coverage of potential claims under this warranty.

If no warranty card is received, proof of purchase from JK Products & Services, or an authorized distributor or dealer must be provided for a claim to be considered. JK Products & Services reserves the right to deny claims where proof of purchase has been provided but no warranty card was received.

This warranty does not apply to any failure of the product or any parts of the product due to alterations, use of third party or non-OEM parts, modifications, misuse, abuse, accident, improper maintenance, improper installation, or acts of God. This warranty also does not apply if:

- I. The serial number on the product has been removed, altered, or defaced.
- II. The serialized components of the unit do not match with other serialized components in records maintained by JK Products & Services.
- III. The serial number or serialized components have been altered with the intent to defraud.

There are no warranties which extend beyond the description on the face hereof. There is no express or implied warranty of fitness or merchantability. The remedies provided in this limited warranty are the exclusive remedies provided to the original purchaser by JK Products & Services and are provided in substitution of all other remedies. Consequential and incidental damages are excluded.

No person, firm, or corporation is authorized to obligate JK Products & Services for any liability in connection with the sale or use of these goods.

JK Products & Services • One Walter Kratz Drive • Jonesboro, AR 72401
870.935.1130 • 800.643.0086

✂ Detach Here ✂

Studio/Salon Name: _____
 Contact Name: _____
 Street Address: _____
 City: _____ State: _____ Zip: _____
 Telephone: (____) _____ Start-Up Date: _____
 JK Distributor/Affiliate: _____

Indicate below that each of the task below have been completed/that the aspects of the tanning system are in working order:

Lamps:	Features/Options:	Training:
<input type="checkbox"/> Body <input type="checkbox"/> Base <input type="checkbox"/> Canopy <input type="checkbox"/> Facial Lamps <input type="checkbox"/> Shoulder Tanner <input type="checkbox"/> Decor	<input type="checkbox"/> Skin Sensor <input type="checkbox"/> Air Conditioning <input type="checkbox"/> Aqua Mist <input type="checkbox"/> Aroma <input type="checkbox"/> Audio System Missing Components: <input type="checkbox"/> Manuals <input type="checkbox"/> Hardware <input type="checkbox"/> Accessories	<input type="checkbox"/> Basic Operation <input type="checkbox"/> Accessing Lamps <input type="checkbox"/> Location/Access Filters <input type="checkbox"/> Explanation of Features Settings/Adjustments: <input type="checkbox"/> Audio <input type="checkbox"/> Springs <input type="checkbox"/> Network

By signing below, you confirm that the listed equipment was delivered to the stated address, installed, and was received in full and satisfactory working order.

Signature, JK Dist./Affiliate _____ Date _____
 Signature, Studio/Salon Representative _____ Date _____

TANNING SYSTEM

Affix Serialized Label Here

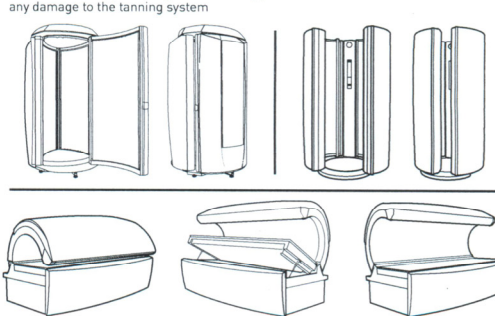
ACCESSORY 1

Affix Serialized Label Here

ACCESSORY 2

Affix Serialized Label Here

Please indicate [by marking an X] on the applicable illustration any damage to the tanning system



Comments: _____

18 Index

A		E	
Acrylic panel.....	64	Electrical specifications	25
load.....	25	EMC information	90
Air conditioning		Export.....	11
filter.....	79	F	
Air routing	14	Facial tanner	
Application tips	54	cleaning/replacing.....	73
AQUA / AROMA		maintenance intervals... 56, 60	
SYSTEM maintenance	82	Filter	
AQUA SYSTEM canister.....	83	cleaning	76, 77
AROMA canister	82	cleaning/ disinfection intervals	59
B		Filter panels.....	70, 73
Bed base	67	maintenance intervals... 56, 60	
C		Foreseeable misuse.....	37
Canopy panel	65	Functions.....	46
Care	54	G	
Chip card replacement	68	Guidelines	11
Cleaning	54, 57	H	
air conditioning	79	High pressure lamps, fire hazard	70
filter.....	76	I	
filter mat.....	77	Installation location.....	14
filter mats	77	Intended use	32
lamps, filter panels.....	58	L	
Cleaning / replacing the UV lamps		Lamp configuration.....	29
Shoulder tanner	75	Lamps, replacing	68
Commissioning.....	16	Low pressure lamps	69
Condensation tank	79	M	
Control Center.....	44	Maintenance overview.....	56, 60
Customer Service.....	2	N	
D		Noise level.....	25
Decommissioning	85		
Definitions	6		
Device description	12		
Dimensions	27		
Disinfection.....	57		
Disposal	85		

O

Obligations of the studio operator	37
Operating altitude.....	15
Operating panel	47
Order numbers.....	29, 31

P

Packaging	85
Plastic surfaces (care)	58
Power rating.....	25
Prohibited usage.....	33

R

Recycling	85
-----------------	----

S

Safety measures during maintenance work.....	55
Scope of delivery	11
Sensor, cleaning	72
Service kit	64
Setup location	15
Side section panel.....	66
Skin types	42
Spare parts	56, 60
order numbers	31
Staff training.....	37
Starter	29, 70
Storage	85

T

Tanning times	43
Technical data.....	25
Transport.....	14
Troubleshooting	87

U

UV lamps	
base	72
control	29
facial tanner.....	73
power rating.....	29
side section	73

V

Ventilation	14
-------------------	----

