

Ergoline

1004771-00 / us / kn / 05.2008

Sunrise 420 Turbo Power



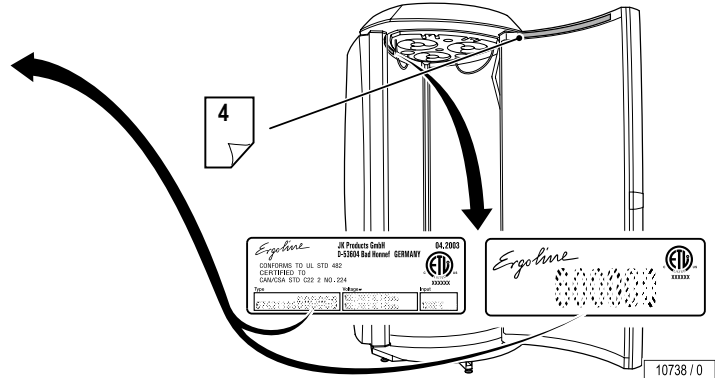
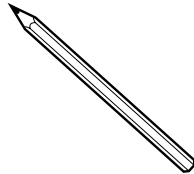
OPERATING INSTRUCTIONS



Identify your tanning system

For contact with Customer Services, please write down the device number of your tanning system.

--	--	--	--	--	--



Global Service USA

A Div of JK Products & Services, Inc.
#1 Walter Kratz Drive
Jonesboro, AR 72401



☎ 800-445-0624
☎ 870-935-9046

e-mail: support@jkamerica.com
<http://support.jkamerica.com>

Skin types

For the recommended exposure schedule see page 4.

Skin type I (Sensitive):

Invariably gets sunburn, accepts little natural sunlight and does not tan.

Skin type II (Fair):

This is the individual that usually burns easily and severely, tans minimally or lightly and peels.

Skin type III (Average):

Often referred to as "Average" complexion, burns moderately and tans about average.

Skin type IV (Brown):

This individual burns minimally, tans easily and above average with each exposure.

Skin type V (Dark Brown):

This individual's system rarely burns, tans easily and substantially.

Tanning times

DANGER ULTRAVIOLET RADIATION		Recommended Exposure Schedule					
Follow instructions. Avoid over-exposure as with natural sunlight. Over-exposure can cause eye and skin injury and allergic reactions. Repeated exposure may cause premature aging of the skin and skin cancer.		Skin Type	Week 1 1st - 3rd Treatments	Week 2 4th - 6th Treatments	Week 3 7th - 10th Treatments	Week 4 11th - 15th Treatments	Weekly Subsequent Treatments
Maximum Tanning Time is 10 Minutes		I - Sensitive	NOT ADVISED	NOT ADVISED	NOT ADVISED	NOT ADVISED	NOT ADVISED
		II - Fair	2 Min.	4 Min.	6 Min.	8 Min.	10 Min.
		III - Average	2 Min.	4 Min.	6 Min.	8 Min.	10 Min.
		IV - Brown	2 Min.	6 Min.	8 Min.	10 Min.	10 Min.
		V - Dark Brown	2 Min.	6 Min.	8 Min.	10 Min.	10 Min.

<p>WEAR PROTECTIVE EYEWEAR! Failure to do so may result in severe burns or long term injury to the eyes.</p> <p>Certain medications or cosmetics may increase your sensitivity to the ultraviolet radiation. Consult a physician before using sunlamps if you are using medication, have a history of skin problems or believe yourself to be especially sensitive to sunlight. If you do not tan in the sun, you are unlikely to tan from the use of this product.</p>	<p>This unit utilizes UVA lamps. Replace only with Ergoline TURBO POWER 200W or recognized equivalents. To obtain recommended exposure at a minimum distance of 1/2" (13mm) measured with a standard ruler, lie on acrylic surface of lounge and lower canopy. Canopy will stop at the correct distance from lounge acrylic surface.</p> <p>Warning: The use of any other position may result in overexposure!</p>
--	---

<p>Tanning can begin on a regular basis. An appearance of tanning normally appears after a few exposures and maximizes after four (4) weeks of exposure following the recommended exposure schedule for skin type. In order to provide for maintenance of a tan a maximum of two (2) weekly 12 minute sessions is recommended from the fifth week onward.</p> <p>Do not tan more than once in a 24 hour period.</p>	<p>Use protective eyewear (Part No. Schmeier 2255 Red or recognized equivalents) when equipment is on. Read and follow instruction booklet before using this product. To avoid electrical shock during maintenance disconnect power from unit.</p> <p>Part No: 1005722-00-</p>
--	--



Note:
Description of skin types see Page 3.

10739 / 0

"This product is in conformity with performance standards for sunlamp products under CFR21 Part 1040."

Table of contents	7
General safety instructions and information	9
Description	18
Operation	21
Maintenance	43
Technical data / appendix	62
Index	73



Dear Customer,

The Ergoline device you have purchased is a technically advanced and powerful product. Your device was manufactured with the greatest care and precision. It went through numerous quality and safety checks in order to guarantee trouble-free, safe operation. Nonetheless, you can also make a significant contribution to your long-term satisfaction with your device. Following the tips and instructions in the instruction manual will ensure you enjoyment and pleasure with your device.

If you have any questions, we are always available to answer them.¹⁾

Yours sincerely

JK-Products, Inc.

- Read and observe the information in this instruction manual. This will enable you to prevent accidents and provide you with a reliable device ready for use.
- Always observe current legal and other regulations and legal requirements as well as the applicable environmental protection regulations.



Note:

We reserve the right to make technical changes to the illustrations and specifications in this instruction manual. Reprinting and reproduction, in whole or in part, of this manual is only permitted with our previous written approval and with the source specified.

1) ☎ (800) 643 0086

Table of contents

Skin types	3
Tanning times	4
Important safety notes	9
Safety notices	9
Instructions pertaining to a risk of fire, electric shock, or injury	10
Instructions pertaining to a risk of damage to the machine	12
Information for the studio operator	13
Meaning of symbols	13
Intended use	15
Obligations of the studio operator	15
Guidelines	15
Export	15
Product information – Acrylic covers	17
Environmental protection information	17
Description	
Equipment	18
Description	19
Accessories	20

Operation

Mandatory reading	21
Operation overview	22
Operation / Navigation	23
Tanning	24
Use the sunbed – but use it properly!	24
Start of tanning	25
Interrupt or end tanning session	28
Regulating body cooling	29
Connecting an MP3 player	31
Voice Guide	33
Listening to Info texts	35
Selecting the audio system	37
Adjusting the volume and switching-off the audio system	40
Running time of accent lights	42

Maintenance

Safety information for maintenance and care	43
Cleaning	47
Cleaning and maintenance intervals	49
Cleaning/replacing UV low-pressure lamps in the door	53
Cleaning/replacing UV low-pressure lamps in the side panels	55
Cleaning/replacing accent lights in the door	60





Technical data

Connected load, power and noise level. 62
Rated power, activation and power levels of the UV lamps. 63
Installed lamps. 64
Spare parts and accessories 66
Dimensions 67
Installation location 68

Index 73

Presettings – see “Presettings”, Order No. 1001971

Troubleshooting – see “Error codes”, Order No. 800751

**Timer operation – see manual “Intellitan Remote Timer”,
Order no. 801129**

Important safety notes

Safety notices

Description of warning signs

Danger notices, damage to persons:



DANGER!

Type and source of danger, e.g. “DANGER – High voltage!”

Description of the consequences, e.g. “You can be killed or injured by an electric shock!”

Countermeasures:

- Disconnect device from power supply before opening.
- Do not reach into the inside with the device switched on.

Warning notices, damage to persons:



WARNING!

Type and source of danger, e.g. “Warning – hot surface!”

Description of the consequences, e.g. “You can burn your hand (skin, face)!”

Countermeasures:

- Do not touch hot parts and nearby surfaces.
- Wait until hot parts and surfaces have cooled down.

Caution notices, damage to property:



Caution!

The word “Caution” with this label points out that danger for devices, materials and the environment can be expected here.

Important information:



Note:

This symbol does not identify safety notices, but states information for a better understanding of the processes.



Instructions pertaining to a risk of fire, electric shock, or injury



DANGER!

DANGER – High voltage!

You can be killed or injured by an electric shock!

Assembly and electrical connection must comply with national and local regulations.

- The device may only be assembled, installed, upgraded or repaired by specially trained and instructed personnel.



WARNING!

WARNING – ultraviolet radiation!

Unprotected tanning may result in eye injury and eye diseases.

The unprotected eye can become inflamed on the surface, and in certain cases the retina can be damaged by excessive radiation. Cataracts can form after frequently repeated exposure to radiation.

- **Inform users to use the included protective goggles that block UV** (Order No. 84592-...).



WARNING!

WARNING – ultraviolet radiation! Follow instructions!

Failure to use protective eyewear may result in severe burns or other eye injury. If discomfort develops, discontinue use and consult a physician.

- A person who does not tan in the sun most likely will not tan from the use of this device. Persons with very sensitive skins (skin type I) must not use the unit, as with this skin type tanning is impossible without damaging the skin (e.g. sunburn).
- Individuals with acute sunburn, individuals who have had or have skin cancer, or individuals who are at increased risk of skin cancer, must not use the system.
- UV devices must not be used without taking medical advice if unexpected effects, such as itching, occur within 48 hours of the first session.
- The tanning system must never be used if a filter panel is missing or damaged, or the timer is defective!
- UV light from the sun or UV systems can cause injuries to the skin or eyes. This biological effect is dependent on the sensitivity of the individual's skin and on the type and amount of UV light.
- As with natural sunlight, overexposure can cause eye and skin injury, sunburn, and allergic reactions.



WARNING!

- Repeated exposure may cause premature aging of the skin and skin cancer.
- Medications or cosmetics applied to the skin, may increase sensitivity to ultraviolet light.
- A person having a history of skin problems should consult a physician before use.



WARNING!

WARNING – ultraviolet radiation!

Danger of long-term consequences.

- Overexposure should be avoided.
- The elderly should not use this equipment.
- Nursing infants and small children through age 7 years may not use this device.
- The following applies to minors under the age of 18 years: Only use tanning systems in agreement with a parent or guardian, or after consulting a physician.
- While there is no immediate clinical evidence of UVA exposure and its effects upon expectant mothers, it is strongly advised that expectant mothers be discouraged from using the tanning unit.



WARNING!

WARNING – risk of infection!

Infections can be transferred through skin contact.

All items/equipment components, with which the user can come into contact during tanning, must be disinfected after every tanning session:

- Handles and control panel
- Protective goggles
- Base plate/floor mat (silicone)

For fast, hygienic proper cleaning, use a specially developed fast disinfectant cleaner.





Note:

Occasionally, persons using the tanning system will experience a slight reddening of the skin – usually in small patches – after the second or third session. This redness is often accompanied by an itching sensation. This may be nothing more than a heat “rash” caused by heat from the lamps within the device. It is generally very limited and caused by constant contact of the skin with the acrylic surface. It should go away within approximately 24 hours and should not reappear. This rashing can be lessened or prevented by applying moisturizer lotion to the affected area after the tanning session is completed.

- Follow instructions.
- The time between the first two tanning sessions must be at least 24 hours.
- Increasing tanning also requires an extension of the exposure time (= radiation time) or after a certain degree of tanning has been achieved, a further intensification is not possible. However, the radiation time may not be extended as desired within the scope of the permissible radiation doses! Therefore, only a certain degree of final tanning dependent on the skin type can be achieved without endangering your health.
- Inform users about proper tanning.

Instructions pertaining to a risk of damage to the machine




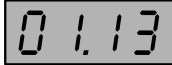




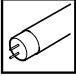

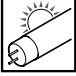
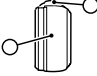





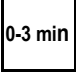
CAUTION – danger of overheating!

Danger of overheating by obstruction of the air routing.

- Do not change, obstruct or block the air inflow and outflow area to the device or make any unauthorized changes to the device. The manufacturer shall bear no liability for damage or injuries resulting from such actions.

Information for the studio operator

Meaning of symbols

	Inform Customer Services		Display of tanning time
	Ergoline key		Display of run-on time (fan run-on)
	Do not touch, hot surface!		Fault display (example), see separate manual
	Low-pressure lamp(s)		Display when adjusting the volume
	UV low-pressure lamp(s)		Description
	Starter for low-pressure lamp(s)		Accent lights
	Cleaning and disinfectant agents		Touch button/panel
	Part/item number (for orders)		Duration: 3 minutes



Information for the studio operator



Loudspeaker



Headphone connection



Caution, safety switch!



Two persons are required for this work step.



Unscrew/release screw



Tighten/lock screw



Cleaning



Replacing



Clean or replace depending on soiling



Visual inspection



Filter/filter mat



Filter and filter mats must not be damp.



Continuation of work steps on next page



End of work step



Intended use

The tanning system is intended exclusively for cosmetic tanning of the human skin.

- The device is meant for commercial use only, not for home use.
- This device is used for tanning one adult person at a time.
- The user wears suitable eye protection that blocks UV radiation during tanning.

Any other use shall be considered improper. The manufacturer cannot be held liable for damage or injuries resulting from this. The operator bears the sole risk for this.

The proper use also includes compliance with the manufacturer's instructions, operating and maintenance conditions. This device may only be operated, maintained and repaired by persons familiar with these tasks and who have been informed of the dangers involved.

Obligations of the studio operator

- As the operator you are responsible for informing users on possible risks during tanning.
- All danger and safety labels attached to the device must be observed! Do not remove them!
- No safety equipment (e.g. panel switch) may be removed or deactivated which can impair the safe operation of the device!
- The device may only be operated in a serviceable condition!
- The operator is bound to ensure that the equipment is handled correctly.

Guidelines

This device was built conforming to UL STD 482, and is certified to CAN/CSA STD C22.2 2 No. 224.

Export

We would like to point out that these devices are exclusively intended for use in the USA and Canada and may not be exported to other countries and operated there! The manufacturer assumes no liability whatsoever in the event of non-compliance! We explicitly emphasize that high liability risks may occur for the exporter and/or the operator in the event of non-compliance.



MP3 music (optional)

If an MP3 player is used privately during tanning, then this does not constitute a public performance in the sense of copyright law, so that no reporting or fee obligation to the corresponding copyright owning company in respect of copyright exists on the part of the studio operator.

The same regulations apply to the public use of MP3 music files as to all other music sources. As a studio operator/studio owner, you may only play original Audio-CDs, MCs, audio-DVDs etc., on your premises and/or play music via the "MP3-music-modules" which are provided in the professional sunbeds in the Ergoline range, if you have acquired the necessary stage rights¹⁾.

Copy protected audio CDs, MCs, audio DVDs etc, as well as the tracks on such sound storage media should not be converted to MP3 format and/or stored on HDD, audio CDs, MCs, audio DVDs etc. if software is used for this that voids or circumvents copy protection for the said storage media.

At the request of the external staff or any other controlling body of the responsible company, you must always be in a position to prove that you have purchased the performance rights by showing the relevant authorisation.

As long as you observe all the listed instructions and have acquired the necessary rights for use of the "MP3-music-module", you may convert your original audio-CDs, MCs, audio-DVDs etc. into the MP3 format re-

quired by the player. However, only one copy is to be made of each legally purchased audio CD, MC, audio DVD etc. The source media (original sound storage media) must be kept and are not permitted to be used at the same time.

1) from the company responsible for granting commercial performance rights in your country

Product information – Acrylic covers

The acrylic covers for the sunbeds are produced of acrylic glass developed especially for this application. The acrylics used are characterized by a particularly high UV permeability and resistance, as well as an easy-care, hygienic surface that is gentle to the skin.

The acrylic covers are formed to sunbed-specific shapes in a technically complex production process. Despite state-of-the-art production know-how, the presence of minor spots, air bubbles or streaks in the acrylic panels is unavoidable. In addition, hairline cracks can occur during operation.

These occurrences are material-dependent and are unavoidable in processing, however have no significant effect on the utility value and can therefore not be recognized as defects.

Environmental protection information

Environmental Declaration – The JK Corporate Group

The JK corporate group is subject to the strict regulations of EC Directive 761/2001 and the ISO 14001 standard, and undergoes regular internal and external environment audits performed by trained auditors.

Environmental regulations – disposal of lamps

UV low-pressure lamps and UV high-pressure lamps contain fluorescent materials and other waste containing mercury.

According to the national waste disposal laws and in accordance with the municipal waste regulations, proof must be provided of the proper disposal of UV lamps.

Your local environmental agency will be happy to assist you with the disposal of UV lamps.

Packaging

All packaging consists of 100 % recyclable materials.

Disposal of recyclable materials

The device has been produced of recyclable materials. When being scrapped later, the device must be disposed of properly. Sun Ergoline will provide you with information on the content or potential hazards of the materials used.

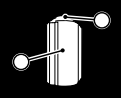


Equipment

Depending on the model, each device is equipped differently.

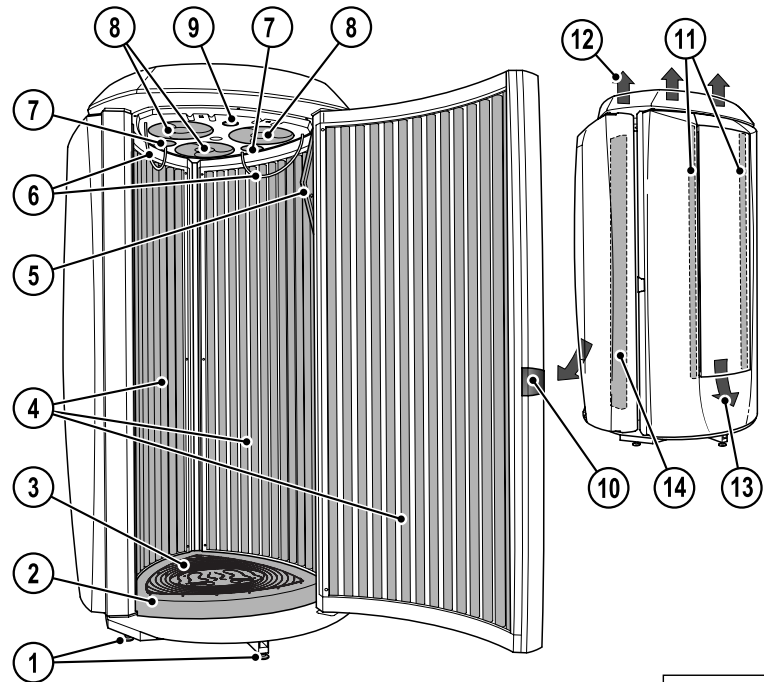
This instruction manual covers all standard and optional components/ functions to be taken into consideration during operation and/or maintenance.

The control panel also differs according to the various equipment: you only can choose those functions that are part of the device's equipment.

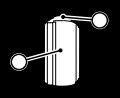


Description

1. Adjustable feet
2. Base plate
3. Floor mat (silicone)
4. UV low-pressure lamps
5. Operating panel, headphone connection
6. Handles
7. Loudspeaker (optional)
8. Fans (body cooling)
9. Interior lighting (LED)
10. Door pad
11. Accent lighting
12. Exhaust air (body cooling)
13. Exhaust air (equipment cooling)
14. Cable duct



10592 / 0



Accessories

Stereo-Sound

7. Audio-system with Voice Guide, 2 loudspeakers

3D-Sound

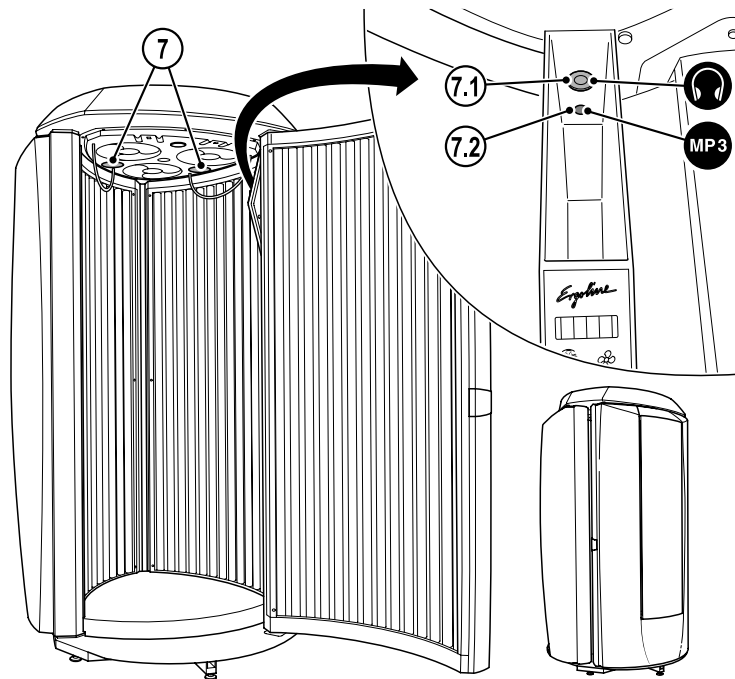
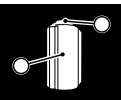
7. Audio-system with Voice Guide

7.1. Headphone connection

7.2. MP3-connection

Some accessory parts are taken into account in the maintenance schedule beginning on page 49 and in the spare parts section from page 66. However this does not automatically mean that your device is fitted with this equipment.

Order numbers and more accessories are listed in the sales documentation and the planning manual.



10670 / 1

Operation

Mandatory reading


Always read and follow all instructions for proper usage prior to allow anybody using a tanning system. The operating instructions included with this device must always be followed to prevent possible injuries or to reduce them to a minimum.

Inform users

- to use provided UV-blocking protective eyewear whenever the equipment is energized.
- to follow the exposure schedule in accordance with their skin type. Failure to do so may result in overexposure.

A tanning system is not a toy. You cannot vary the strength of the lamps in your unit.

Should you have any questions regarding the proper use of your tanning system, contact Global Service USA at:

 800 445 0624

7:00 a.m. to 7:00 p.m. (CT)



WARNING!

Warning – ultraviolet radiation!

Danger of skin injuries and skin diseases!

- The tanning system must never be used when a filter panel is missing or damaged, or the timer is defective!



Note:

When describing the operation, the tanning system is sometimes shown with the door open. During tanning the door must always be closed.

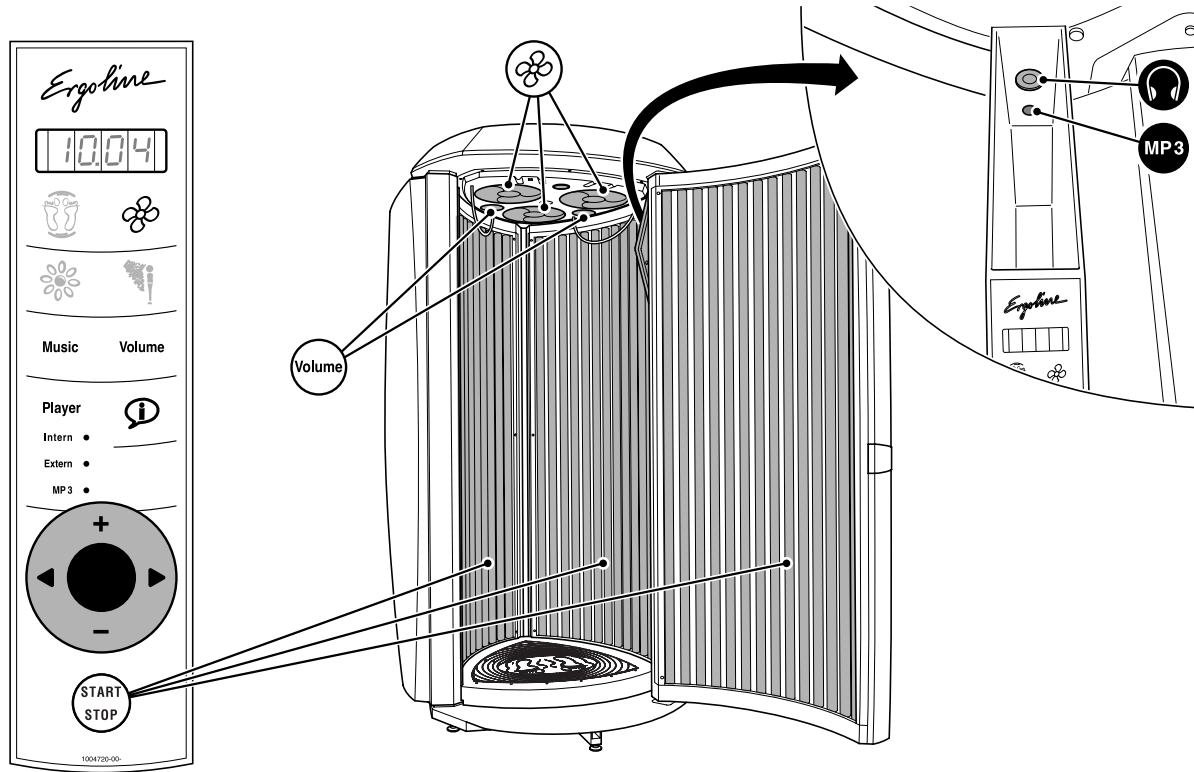
Proper operation is not possible with the door open.



Operation overview



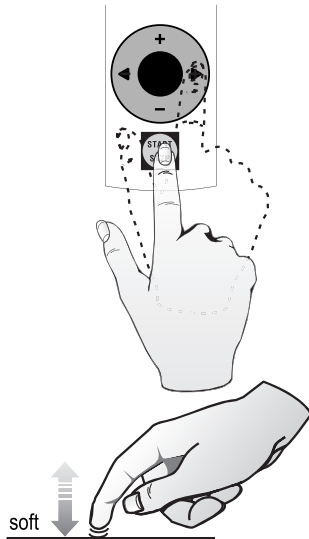
see separate instructions "Presettings", Order no. 1001971



10489 / 1



Operation / Navigation



10958 / 0

The unit is operated with the navigation ring.

	Switch tanning on and off, pause.
	Select device function (go to pictogram) Volume
	Select sub-function (if available) Change setting

Pictograms of available functions are illuminated in default mode after starting up the sunbed. After selecting a function, the corresponding pictogram and the navigation ring flash for a short time. During this time settings may be changed.



Tanning

Use the sunbed – but use it properly!

A few things need to be noted to get maximum enjoyment from a sunbed. Here are some answers to some frequently asked questions.

Make-up on the sunbed?

Please remove make-up or don't use make-up while tanning. Clean skin absorbs UV light better.

A wide variety of ingredients are found in cosmetics. Again, whether these are emulsifiers, greases, or so-called scents – in conjunction with UV radiation, these can cause allergic reactions of the skin.

Accordingly, a must before using a sunbed is: Remove all make-up. This is essential. Make-up clogs the pores in the face. The UV light from a sunbed re-opens these clogged pores so that not only does the light penetrate the skin, but also the allergenic components of the make-up.

A further negative consequence of make-up is that the appearance of the skin deteriorates irreversibly over a period of time. However good a decent make-up might be – in conjunction with UV light, it causes more harm than good. Therefore: Remove all make-up before a session on your sunbed – it will be much better applied afterwards.

Showering after leaving the sunbed?

The browning is in the skin, not on it. Therefore you cannot wash it off. Treat your skin to a moisturizing cream after showering.

Are medications and the sunbed compatible?

It is known that some medications increase the skin's sensitivity to UV light. This probability is particularly high with antibiotics, sulphonamides, psychiatric drugs, tranquilizers, anti-diabetes treatments and diuretics. Sun creams which contain psorale or kumarin also increase skin sensitivity. If you are in any doubt, first ask your doctor - then you can enjoy the sun at no risk.

Contact lenses on the sunbed?

The answer is: Yes! Like any other sunbed user, contact lens wearers should also wear special protective goggles which protect the eyes against UV radiation. To guarantee better protection, wearers of spectacles and contact lenses can ask their optician for exchange contact lenses with UV protection. The UV-A and UV-B filters built into exchange contact lenses will protect the cornea and the internal parts of the eye against almost 100% of the energy in UV radiation.

This will benefit sunbed users not only in the open air, but on the sunbed itself. For more information, ask your optician or optometrist.

...

Start of tanning

The device is started automatically with an internal or external timer.



Note:

Timer instructions: see separate manual¹⁾.

Preparation time

Before the UV lamps turn on, you have a few minutes to prepare yourself. During the preparation time you can switch on the UV lamps at any time by touching the START/STOP button.

- Remove your clothes and all jewelry.
- Remove make-up and other cosmetics.
- Remove glasses. Contact lenses can be worn under the protective goggles.
- Put on the protective goggles.
- Close the door.
- Stand upright in the center of the tanning system.
- Touch the START/STOP button.



1) Order no 801129-..



Danger!

Sunburn and skin damage will occur if the distance between the UV lamps and the surface of your skin is insufficient.

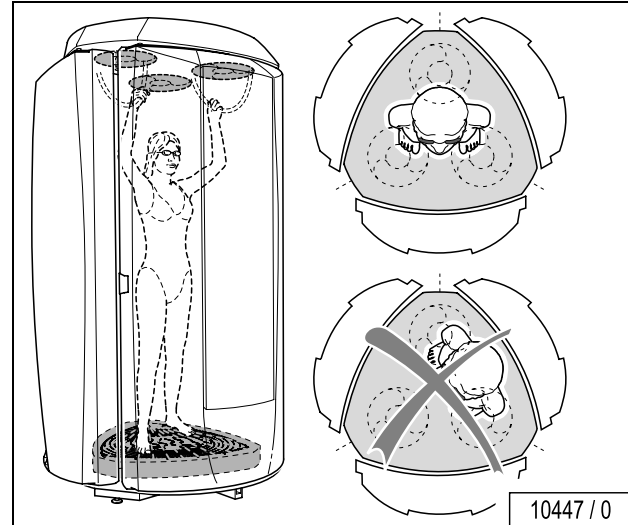
- Stand straightly and centrally in the unit during tanning.
- Use the handles to make holding up your arms easier so that your body gets an even tan.



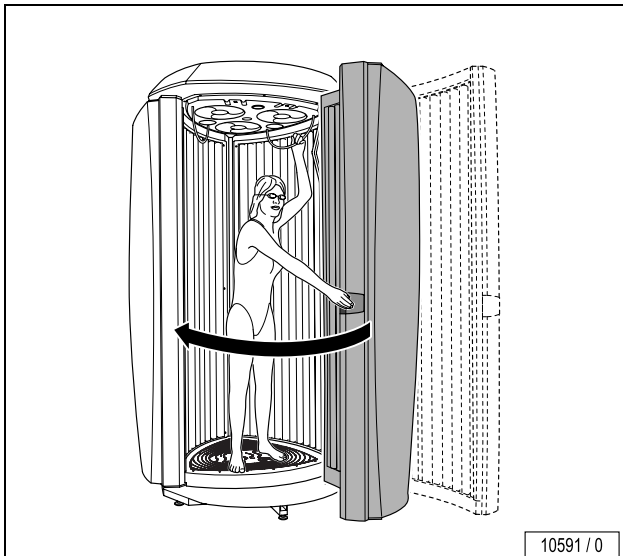
Attention!

The handles can be broken off if they are exposed to severe strain.

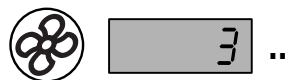
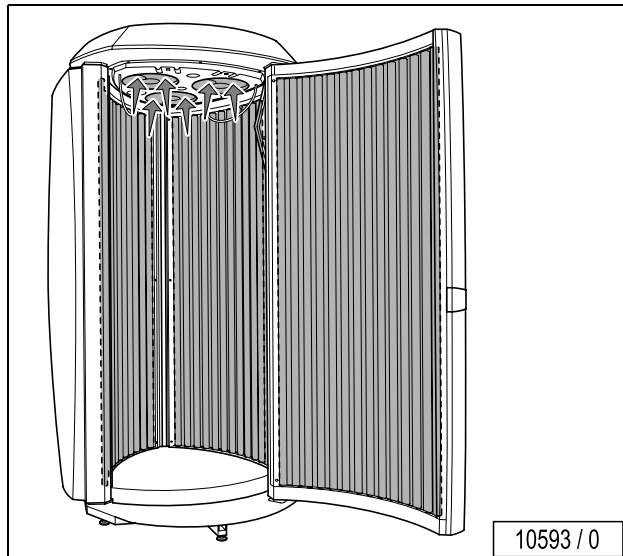
- **Do not** try pull-ups or other gymnastic exercises.



Closing the door



Settings on start-up



...


Interrupt or end tanning session

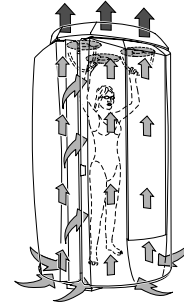
The tanning session ends automatically after the preset time has run down. The internal fan continues to run for approx. three (3) minutes to sufficiently cool the device.

- To interrupt a tanning session, touch START/STOP anytime during a session.
- Touch START/STOP again to restart the lamps.

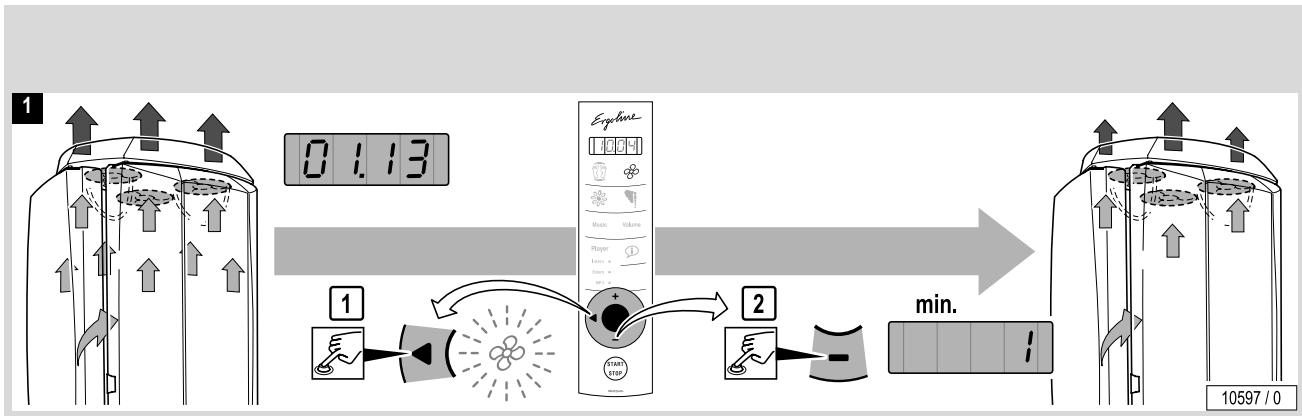


Regulating body cooling

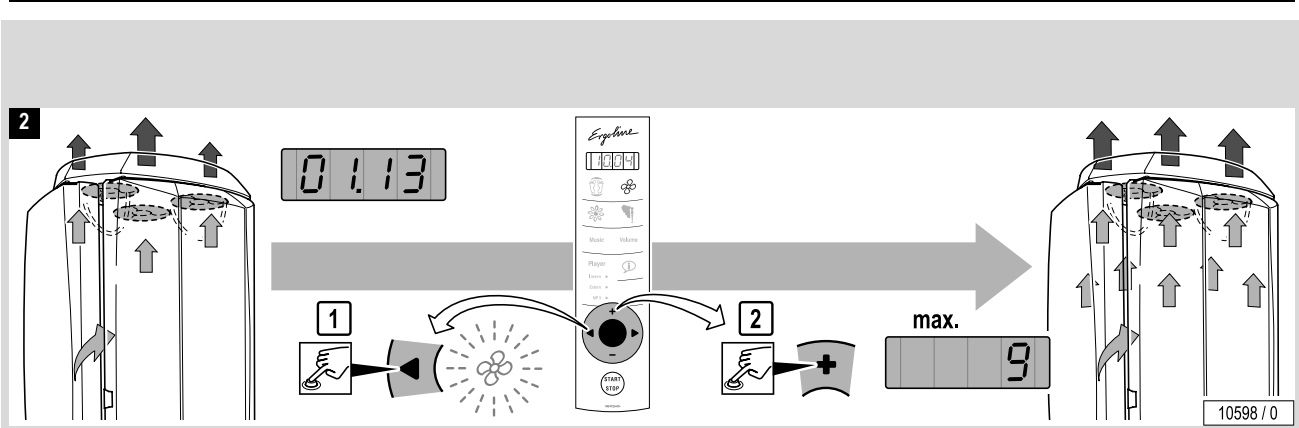
- Touch ◀ or ▶ to select body cooling (symbol  is illuminated, the navigation ring flashes).
- While the ring flashes, touch the plus or minus button to change the intensity of the air stream.



10596 / 0

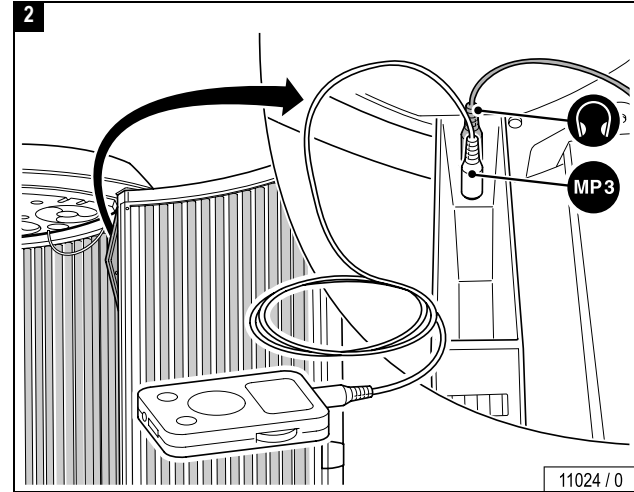
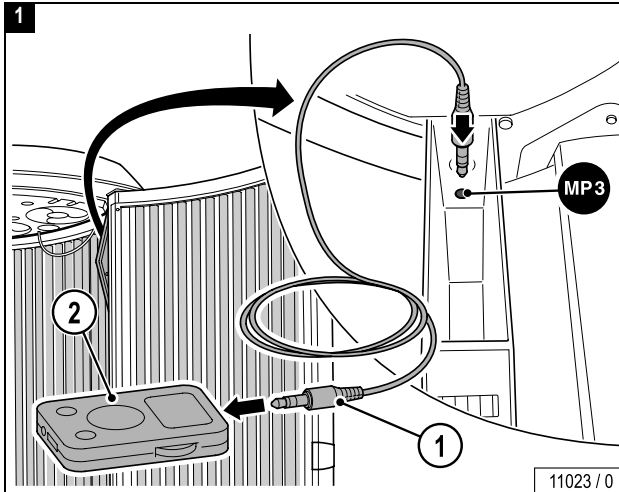


Regulating body cooling



Connecting an MP3 player

Studio customers can connect their own MP3 player to the device when the “Audio System” accessory is available.



- ① Jack plug (Mat.-Nr. 1001855-..) provided for use by the studio operator (1.5 m / 2 x 3.5 mm stereo jack plug).
- ② MP3 player connection: refer to the manufacturer's documentation.

Loud music may disturb other studio users!

- Use headphones whenever necessary.

...



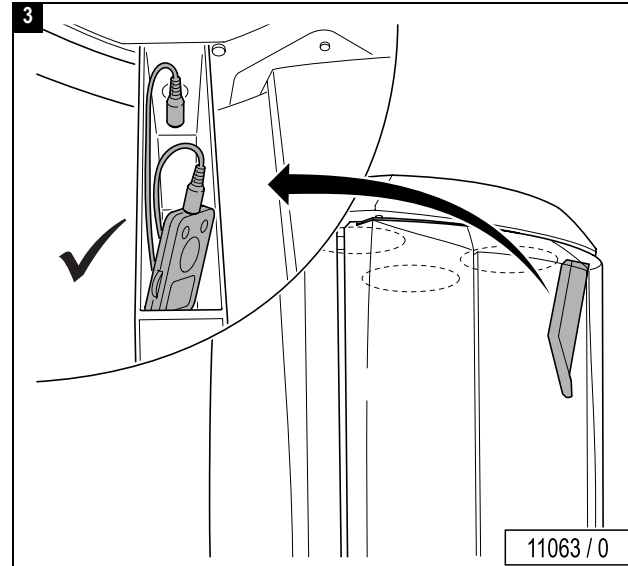
Caution!

Heat can damage your MP3 player

- Do not place the MP3 player on the irradiated area.

Cable may be torn off, connectors may be damaged.

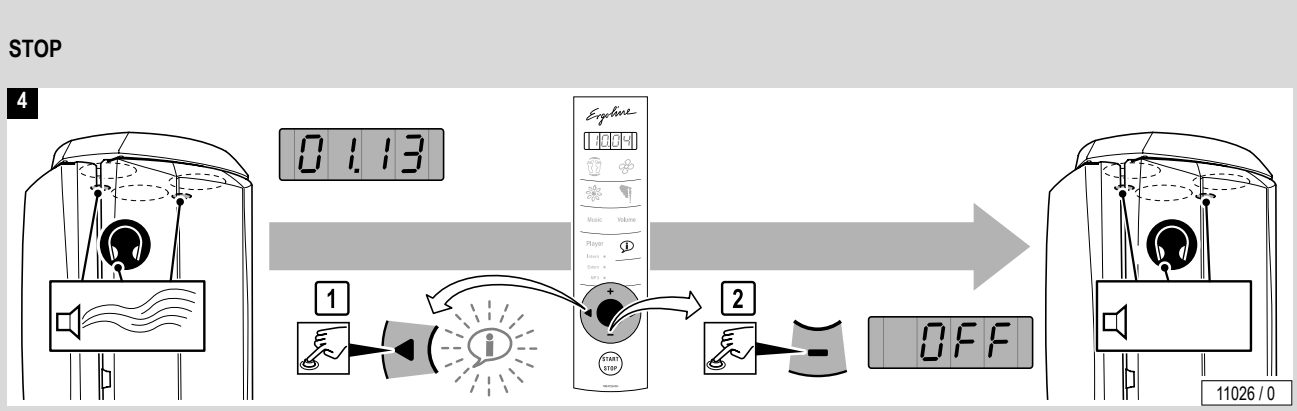
- Do not pull on cable when unplugging MP3 player.



Voice Guide

Voice Guide gives acoustic guidance when operating the device and is only available in conjunction with the audio system.

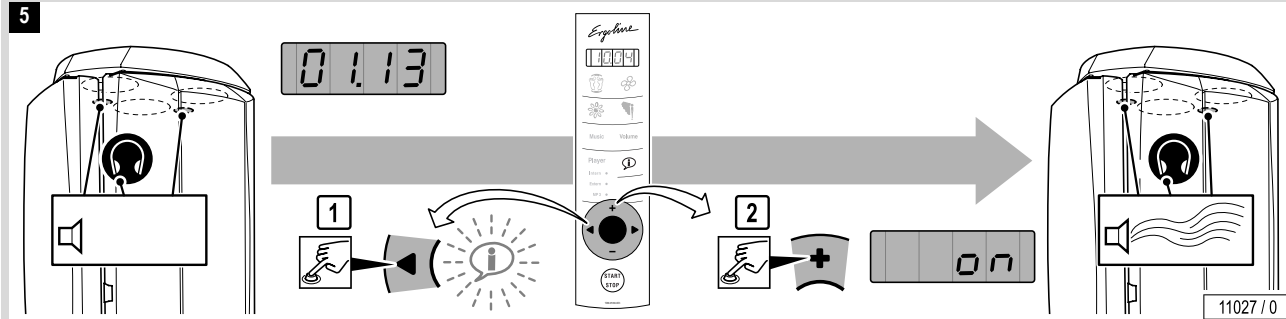
Voice Guide is activated by default during both stand-by and a tanning session.



...

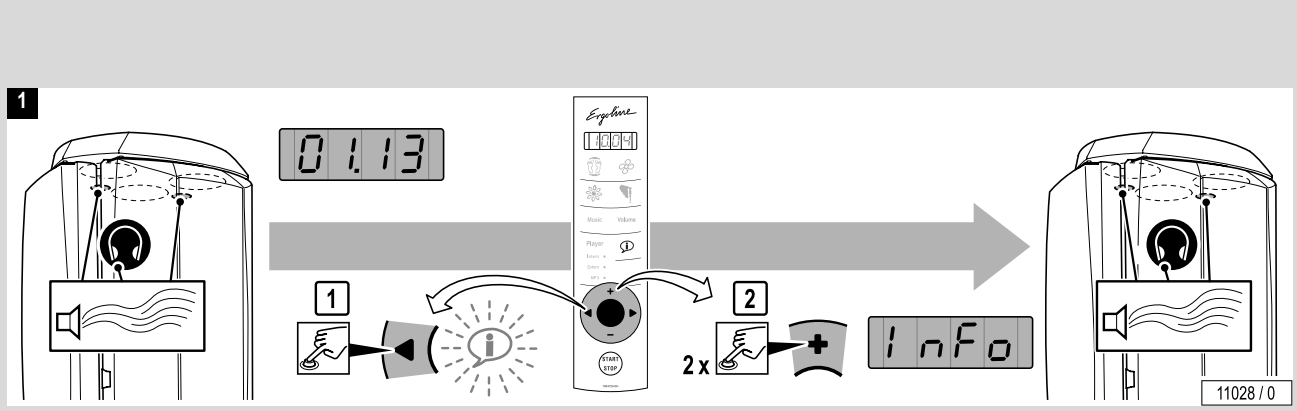
START

5

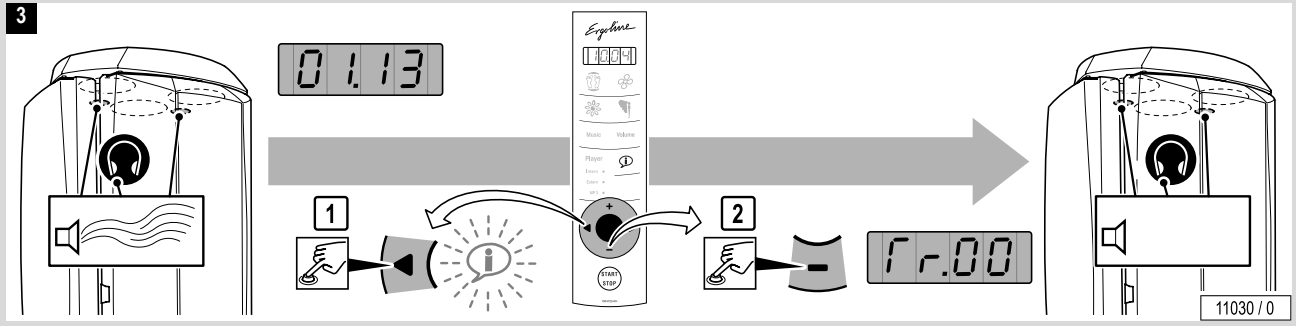
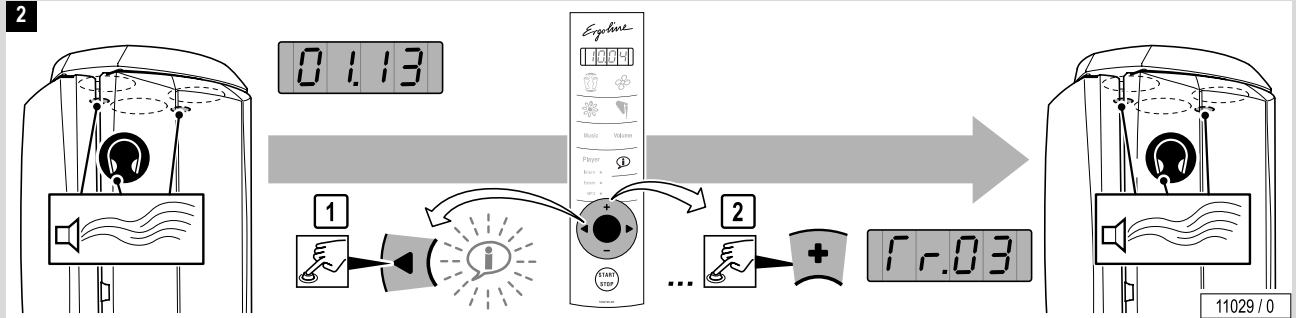


Listening to Info texts

General information about the sunbed.



Example:

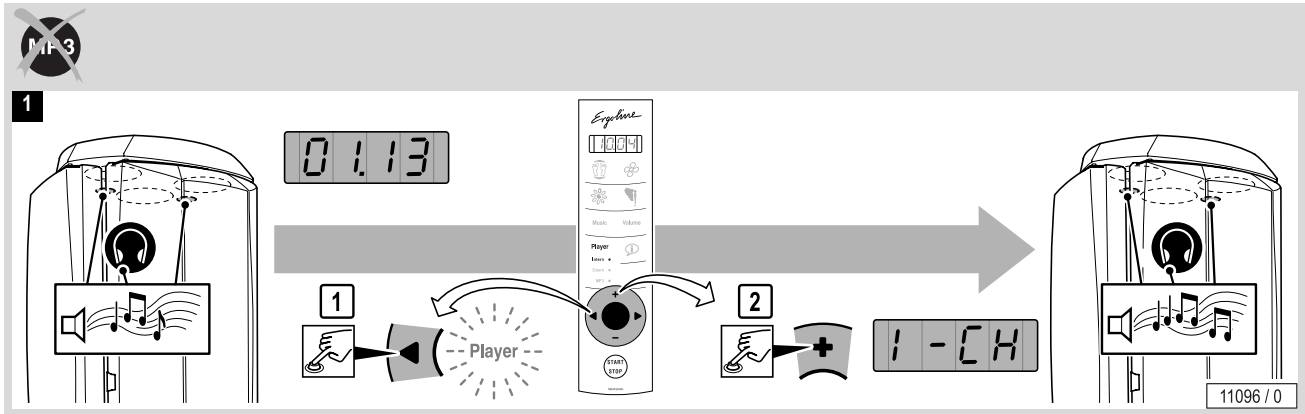


Selecting the audio system

Intern (internal): SD card "music"

Extern (external): externally connected systems (e.g. CD-player)

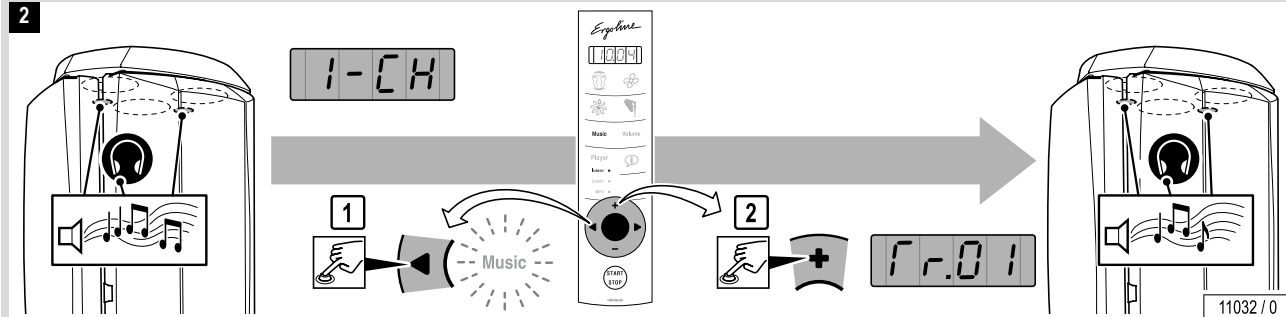
MP 3: MP3 player



Selecting the audio system

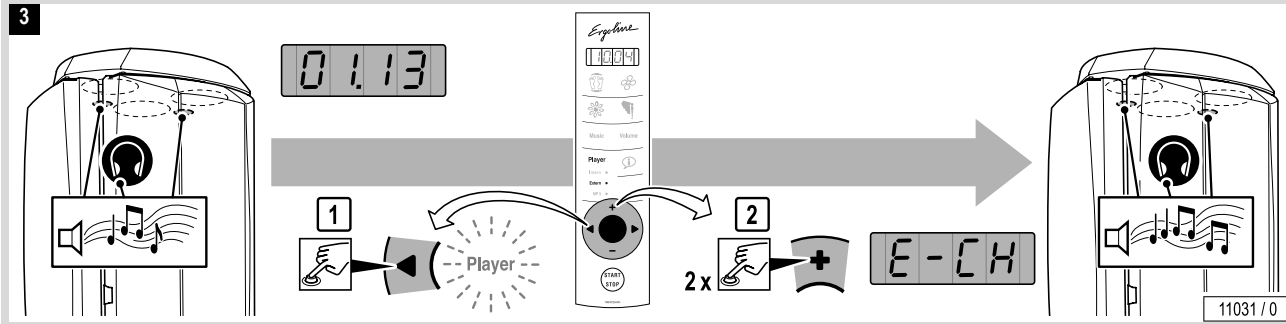
~~MP 3~~ Choosing a track (internal)

2

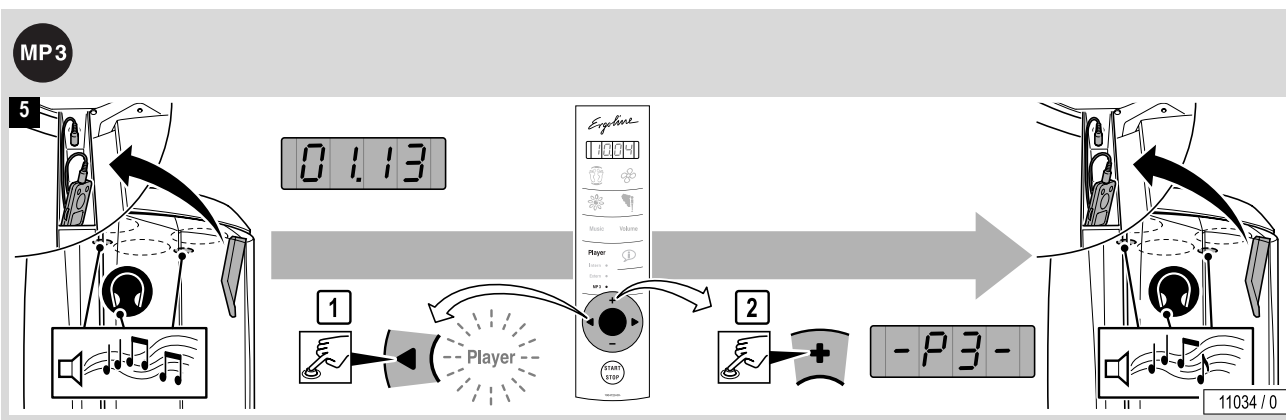
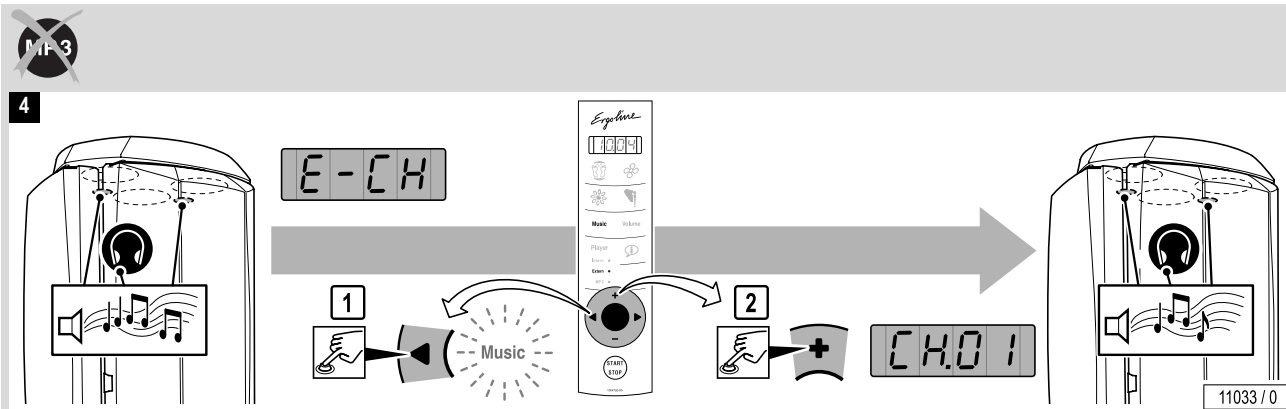


~~MP 3~~

3



Selecting the audio system



Adjusting the volume and switching-off the audio system

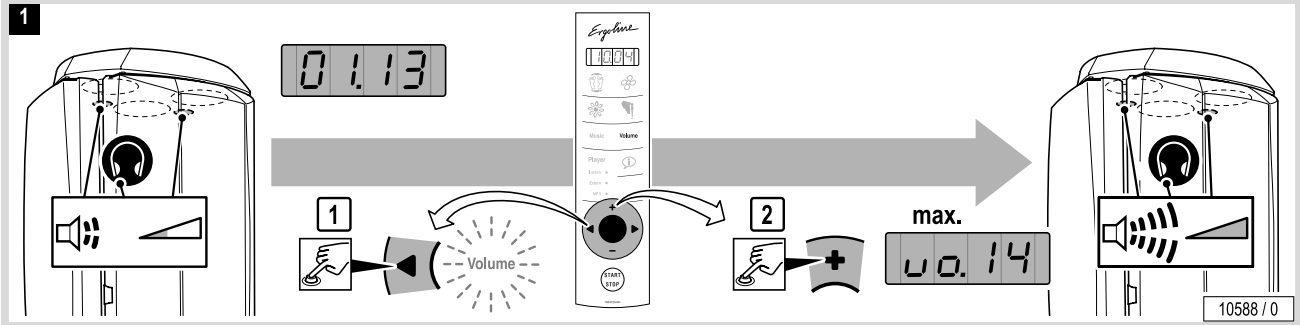


Risk of hearing loss!

- With time, the human ear becomes accustomed to high sound levels.
 - The higher you adjust the volume, the quicker the hearing can be damaged.
 - The use of ear pieces and headphones at high volume can lead to permanent hearing loss.
-
- Touch ◀ or ▶ to select volume ("Volume" is illuminated, the navigation ring flashes).
 - While the ring flashes, touch the plus or minus button to change the volume.

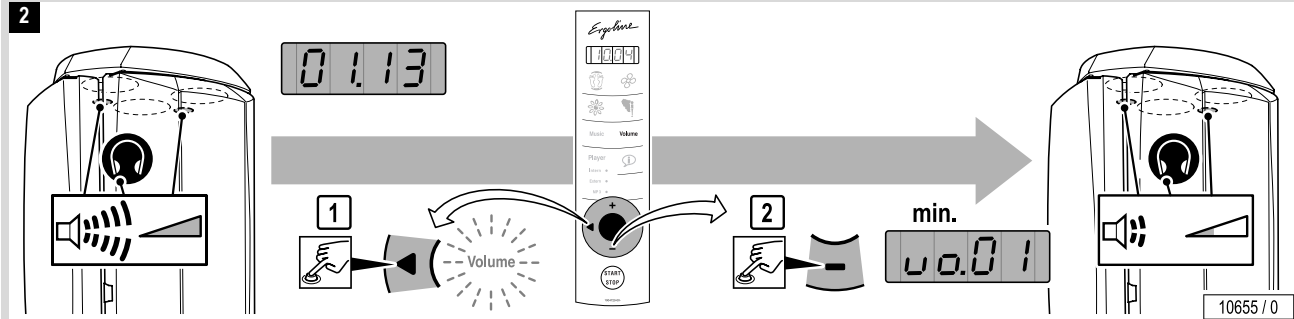


Maximum

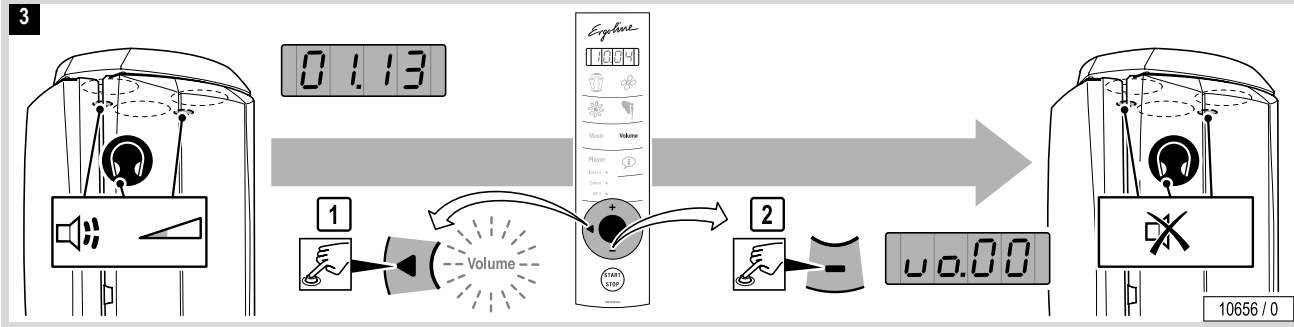


Adjusting the volume and switching-off the audio system

Minimum



OFF



Running time of accent lights

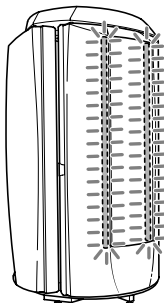
The accent lights are automatically switched on at the end of the tanning session after the set operating time and are switched off again at the beginning of the next tannings session.

The running time of the accent lights in the Standby mode can be changed with the presettings – see separate instructions.



Stand-by

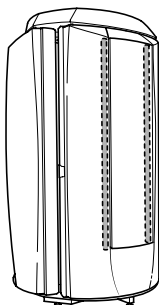
1



10599 / 0



2



10600 / 0



See separate instructions "Presettings", Order no. 1001971



Safety information for maintenance and care



DANGER!

Extreme danger! High voltage!

During maintenance work there is a risk of touching live parts and receiving a fatal electric shock.

- Disconnect device from power supply before opening – also see Page 44.
- Do not reach behind covers and do not open the device with the device switched on.
- Refit any safety devices (e.g. switches) after the work has been completed.

Maintenance and care play a major role in deciding whether the device meets the requirements placed on it in a satisfactory manner. The compliance with the specified maintenance intervals and the careful conducting of the maintenance and care work are therefore absolutely necessary – see Page 49.

The current operating hours of the parts requiring maintenance can be displayed in the Presetting mode – see separate instructions “Presettings”, Order no. 1001971.



DANGER!

DANGER OF BURNS!

Only use the specified **genuine UV lamps!**

Using other UV lamps leads to modified radiation. This could potentially result in severe burns to the user!

The use of other UV lamps and filter panels invalidates **CE conformity** and the **GS approval mark!**



CAUTION!

Only use **genuine** spare parts of the same type!

The use of other parts may limit or void your manufacturer's warranty!

Any liability is excluded in case of damage or injury proven to be the result of the use of non-genuine spare parts.



...

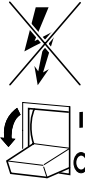
Power Off device and secure against being switched on again



DANGER!

Extreme danger!

If work is to be performed on the devices, they must be powered off. That means that all live lines must be switched off. Switching off the device alone is insufficient, as certain points may remain energized. Therefore, switch off and lockout circuit breakers before performing any work.



04049 / 0

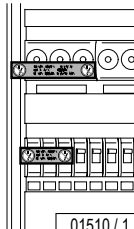


DANGER!

Extreme danger!

Severe accidents can occur if the device is mistakenly switched on again. Immediately after powering off, secure all switches or fuses used for power against being switched on again.

- A strip of adhesive tape with the wording "DANGER do not switch ON!" may be applied over the actuation levers of circuit breakers which cannot be removed.



01510 / 1

A prohibition sign with the text: "Work in progress!"

- "Place:"
- "Sign may only be removed by:" must always be securely mounted immediately.



01511 / 1



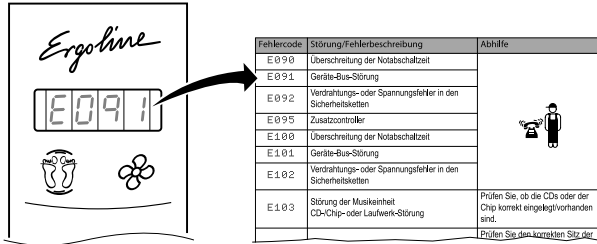
DANGER!

Extreme danger!

Prohibition signs must not be hung on or touch live parts.

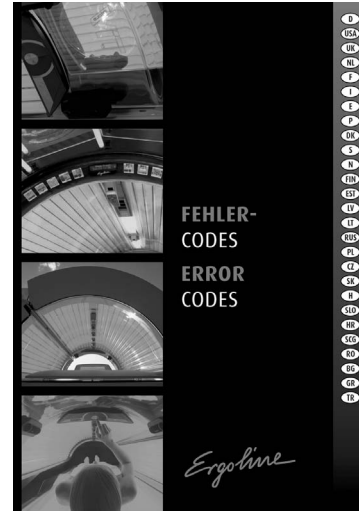
Malfunctions

The display shows error codes¹⁾ to make it easier to localize the cause of the problem.



10699 / 1

- If a malfunction occurs, the error code flashes in the display.
- If several malfunctions occur, the error messages are displayed alternately.
- The fault remedy is acknowledged by touching **START/STOP**.
- If the problem cannot be remedied, inform Customer Service – see Page 2.



800751

10391 / 0



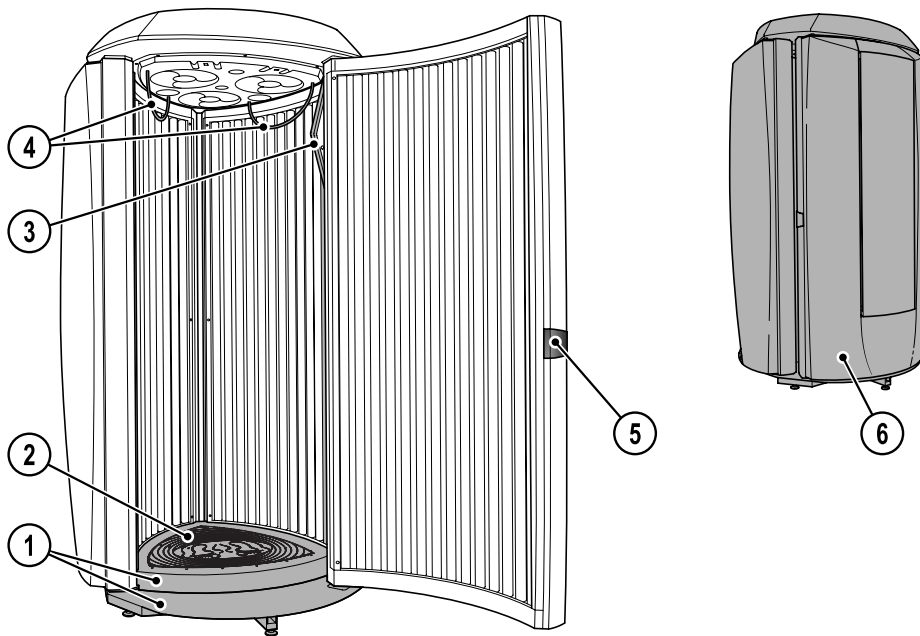
1) See separate instructions "Error Codes", Order no. 800751



Maintenance overview



see separate instructions "Presettings", Order no. 1001971



10601 / 0





WARNING!

WARNING – risk of infection!

Infections can be transferred through skin contact.

All items/equipment components, with which the user can come into contact during tanning, must be disinfected after every tanning session:

- Handles and control panel
- Protective goggles
- Base plate/floor mat (silicone)

For fast, hygienic proper cleaning, use a specially developed fast disinfectant cleaner.



Note:

To ensure thorough disinfection, always adhere to the reaction time specified for the disinfectant.

Follow the manufacturer's instructions for use.

Acrylic glass surfaces



CAUTION!

Do not rub with a dry cloth – danger of scratching!

For fast, hygienic proper cleaning of acrylic glass surfaces, use a specially developed fast disinfectant cleaner.

Other cleaning agents, especially concentrated disinfectants or solvents (e.g. Lysoform, ethyl alcohol or other liquids containing alcohol) must never be used for cleaning.

Failure to observe this voids all warranty claims.



...

Plastic surfaces

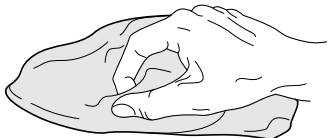
For cleaning the other plastic surfaces, it is best to use warm water and a leather cloth. Never use aggressive cleaning agents containing alcohol or essential oils. These may lead, in the long run, to damage not covered by the warranty.

During cleaning, a slight discoloration of the leather cloth by the rubber seals must be expected for production-related reasons.



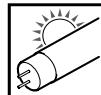
Note:

Prevent damage to plastic surfaces. Remove rings, watches, bracelets etc. before the start of cleaning work.



02756 / 0

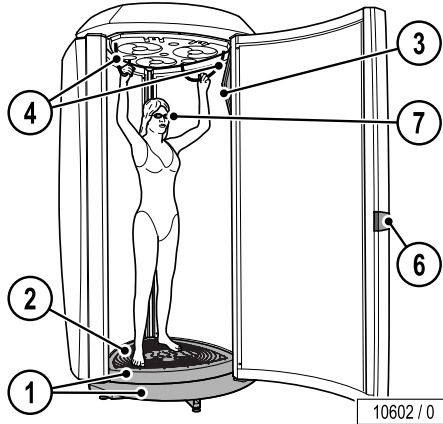
Cleaning lamps



UV low pressure lamps: Clean with water only (damp cloth)



Cleaning and maintenance intervals



After each tanning

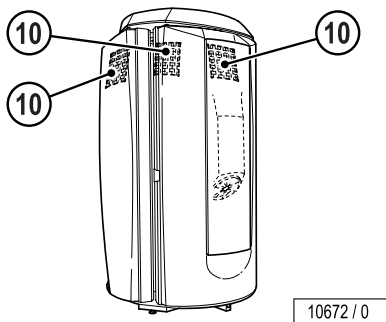
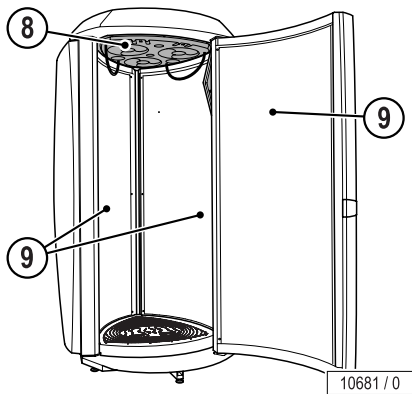
②				47
⑦		Schmerler 2255 Ergoline 84592		47
③				47
④				47



Confirm cleaning by touching START/STOP (when the follow-up time of the fan in the device has finished).



...



8



47

9

Acrylic glass

47

10

Air intake openings

Fire hazard!

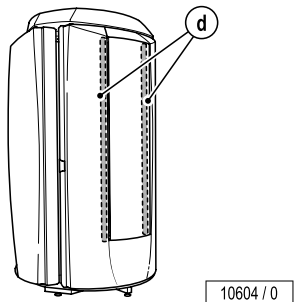
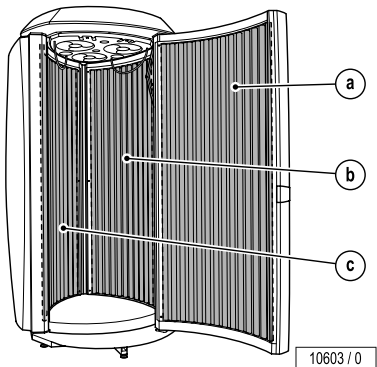


Dust particles are combustible! Regularly remove dust particles in the air intake area.







- Use a vacuum cleaner to prevent dust particles getting inside the unit.
- Removing the cover – see Page 60.



Cleaning and maintenance intervals



500 h

a)			53
b)			55
c)			55

1000 h

a) b)			53, 55
c)			
d)			60



Relamping / maintenance instructions

It is imperative that you, the owner and/or operator, check all components for any signs of wear which may occur through normal use.

Observe the cleaning and maintenance schedule specified in the maintenance table on Page 49 to 51.

Only replace UV low-pressure lamps with the original lamp type or with compatible lamps.

Only replace UV high-pressure lamps with the original lamp type or with compatible lamps.

Should you require any assistance or need additional information, please call Global Service USA at 800 445 0624, Monday through Friday 7:00 a.m. - 7:00 p.m. CT, Saturday 8:00 a.m. to 3:00 p.m.



CAUTION – Damage due to improper maintenance!

Improper maintenance can cause the device to be damaged or to become unusable.

- Always comply with the specified maintenance intervals.
- Follow the cleaning instructions.
- If the maintenance intervals for the UV lamps are exceeded or incompatible UV lamps are installed, the share of harmful UVB radiation may increase. Sunburn and other skin damage may result.



WARNING!

Danger of burns from hot lamps and device parts!

If the tanning system was operated before being switched

WARNING! off and opened, lamps and housing parts may be hot.



- Before replacing lamps or other spare parts, wait until lamps and metal parts of the device have cooled down sufficiently.

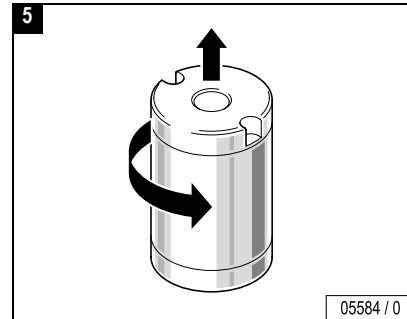
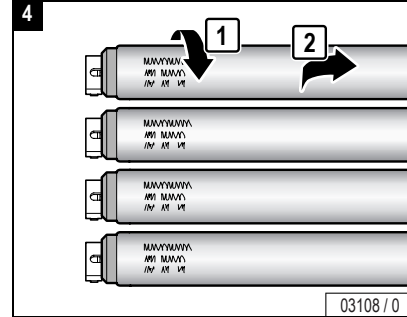
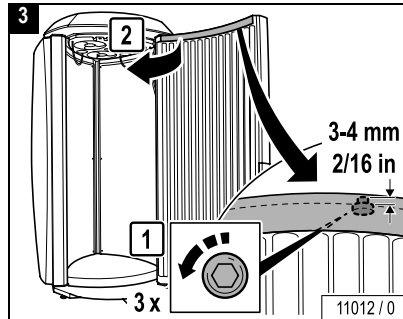
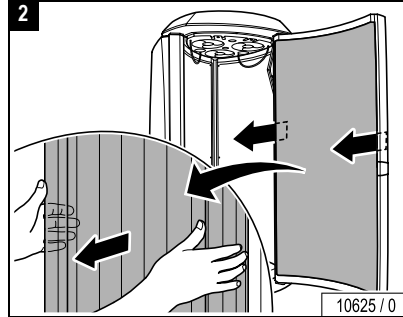
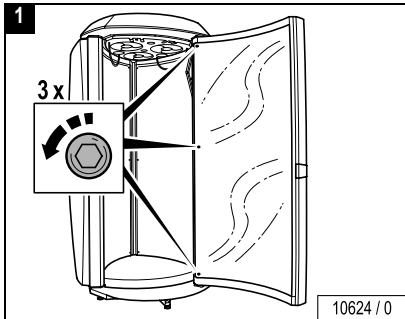
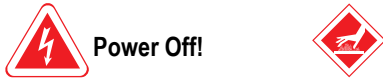
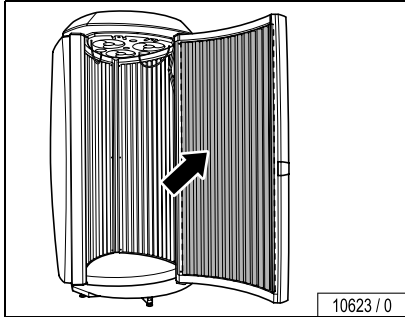
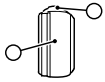


Danger of pinching!

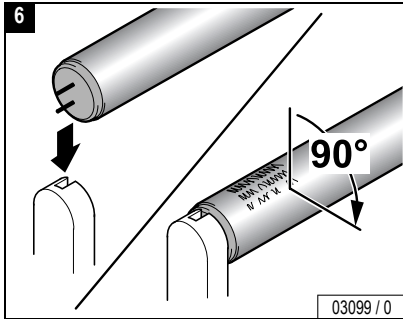
When opening and closing panels and covers, you can pinch your fingers.



Cleaning/replacing UV low-pressure lamps in the door



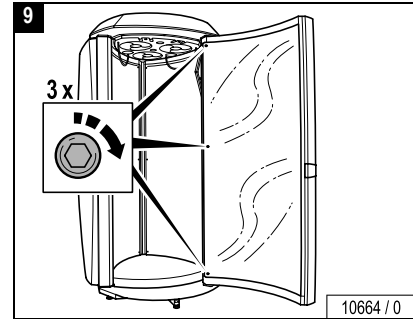
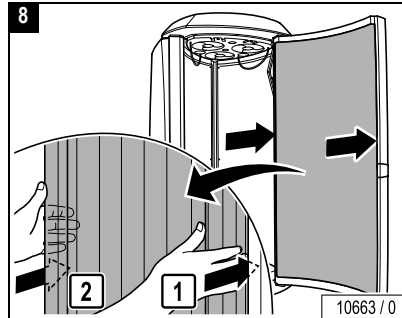
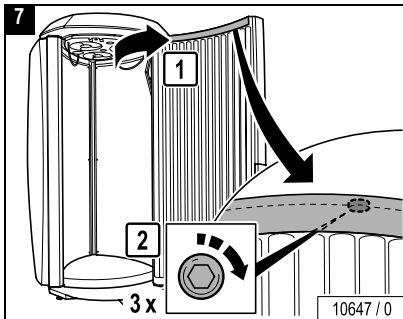
...



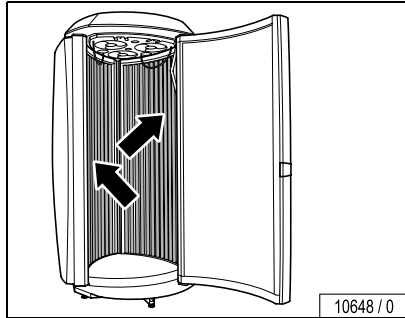
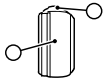
Caution!

Soiling on the panes is burned in by the hot lamps and results in the long term in unserviceable panes.

- Remove fingerprints and other soiling carefully.



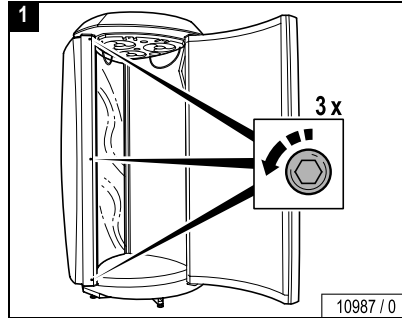
Cleaning/replacing UV low-pressure lamps in the side panels



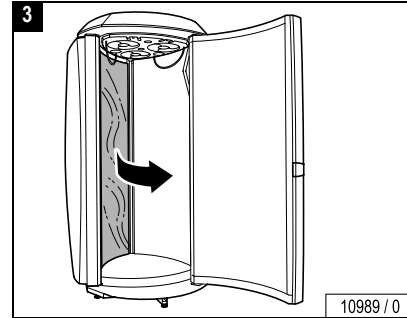
10648 / 0



Power Off!



10987 / 0



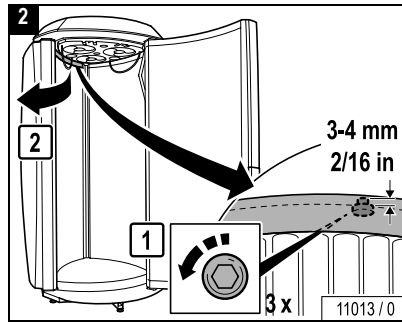
10989 / 0



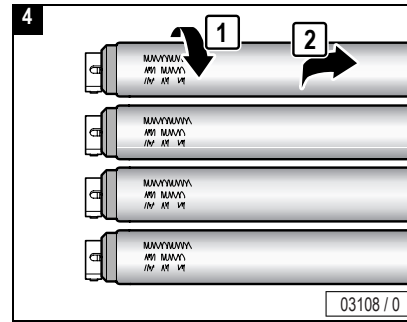
Note:

The acrylic glass panels may be damaged at the side walls and the operating unit.

- Observe sequence: First, remove the **left** acrylic glass panel, then the right.
- When removing the right acrylic glass panel, do not knock against the operating unit.



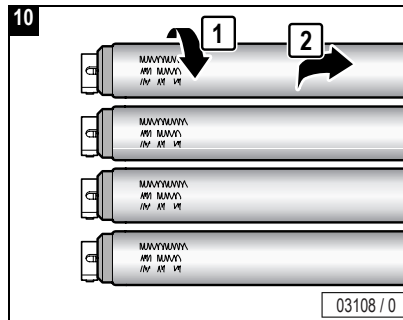
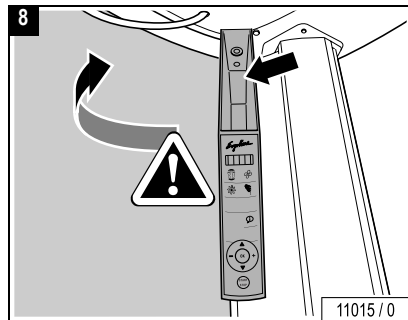
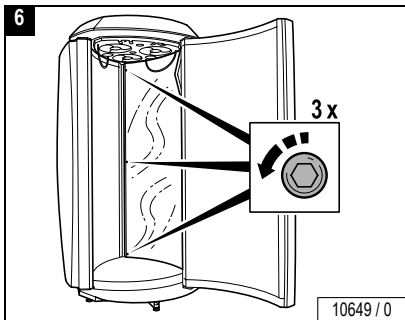
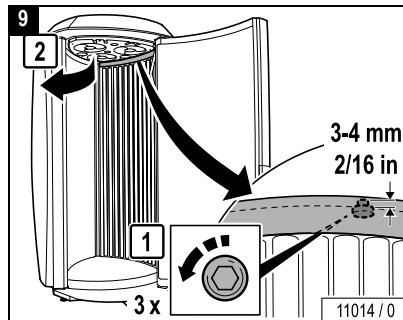
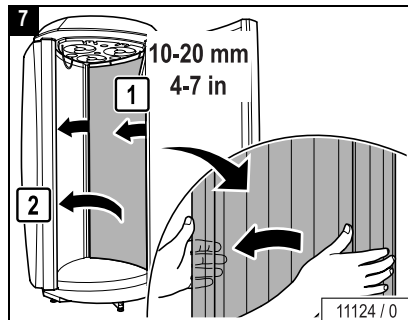
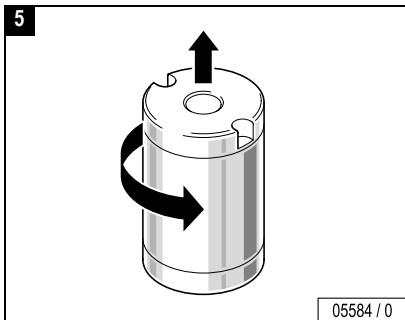
11013 / 0



03108 / 0

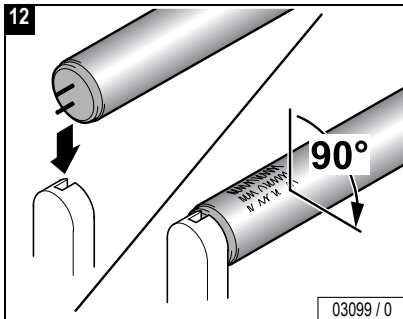
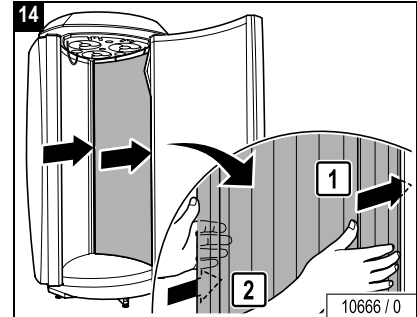
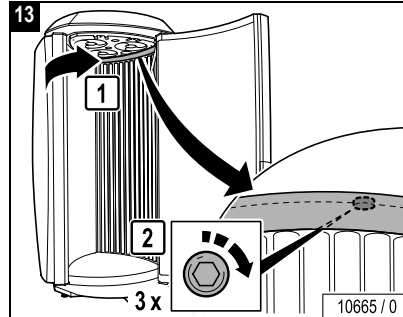
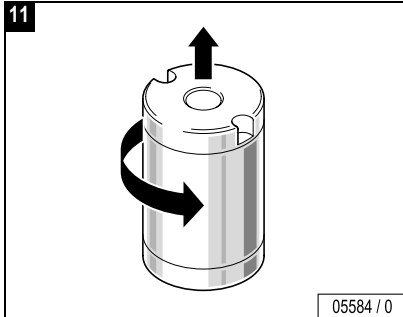


Cleaning/replacing UV low-pressure lamps in the side panels



...

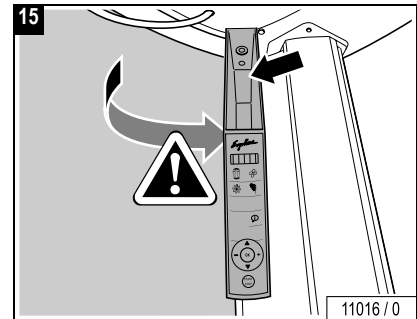
Cleaning/replacing UV low-pressure lamps in the side panels



Attention!

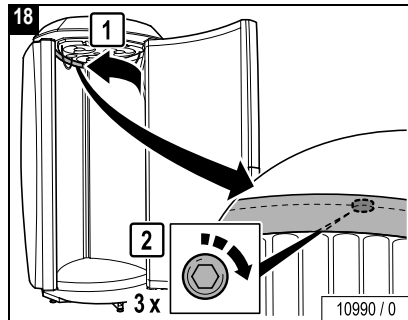
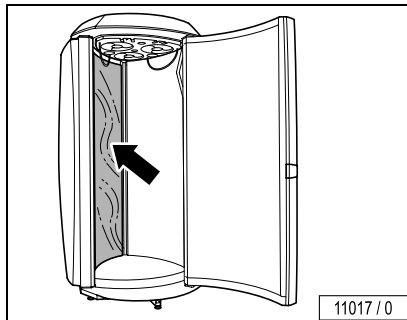
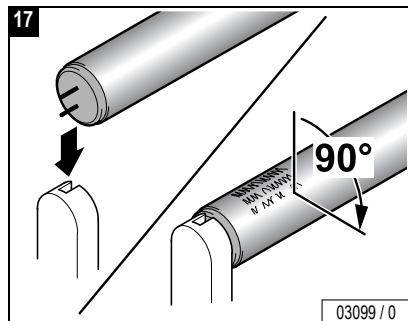
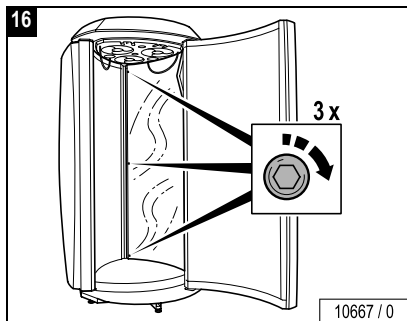
Soiling on the panes is burned in by the hot lamps and results in the long term in unserviceable panes.

- Remove fingerprints and other soiling carefully.



...

Cleaning/replacing UV low-pressure lamps in the side panels





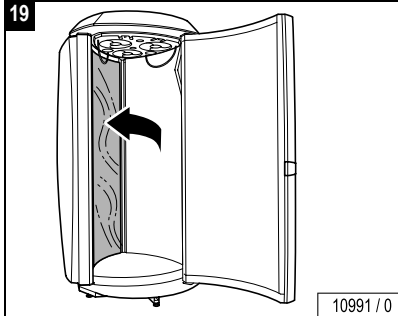
Attention!

Soiling on the panes is burned in by the hot lamps and results in the long term in unserviceable panes.

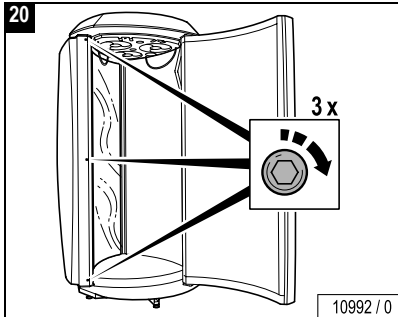
- Remove fingerprints and other soiling carefully.



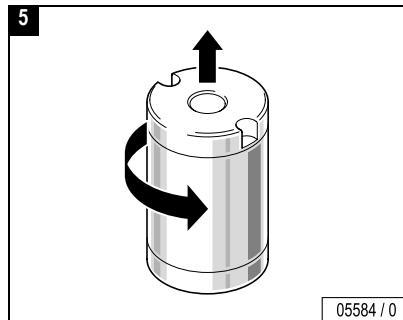
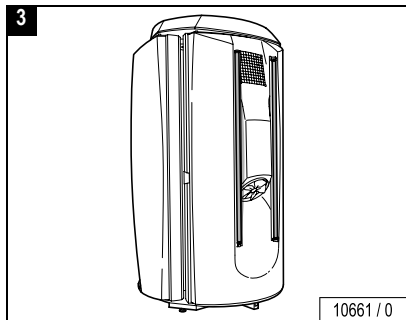
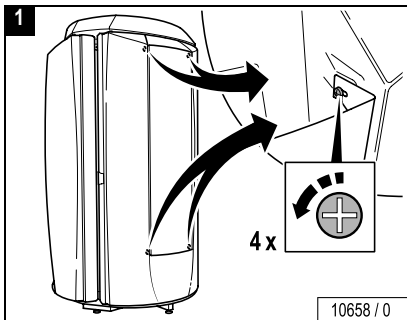
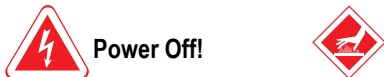
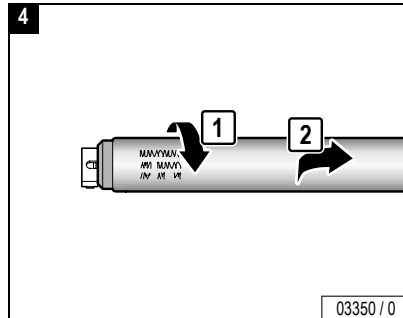
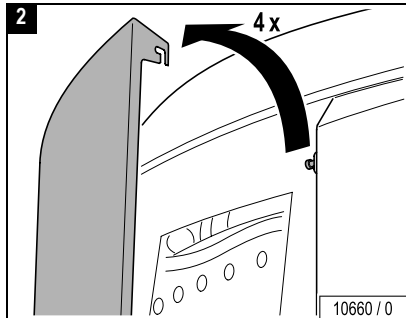
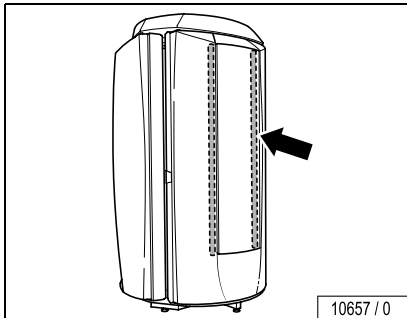
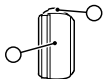
19



20

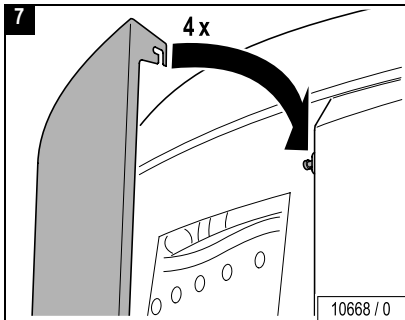
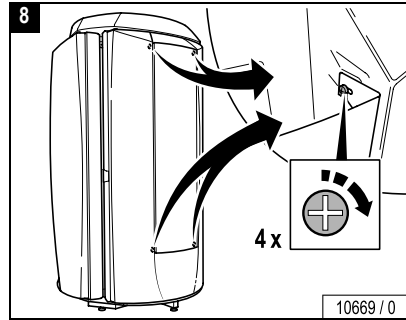
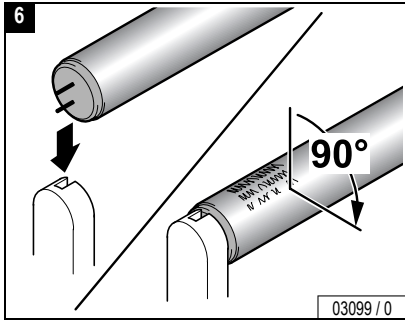


Cleaning/replacing accent lights in the door




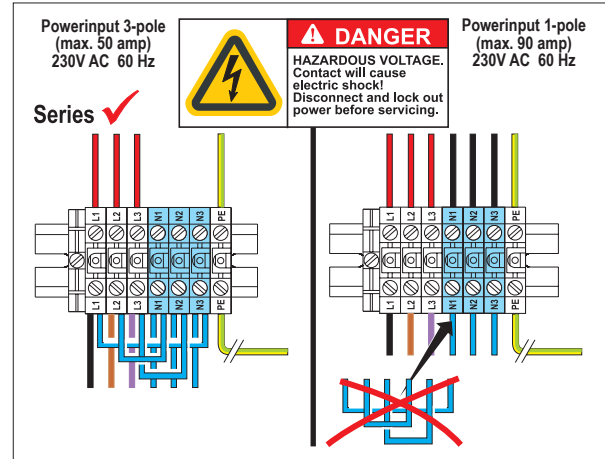
...

Cleaning/replacing accent lights in the door



Connected load, power and noise level

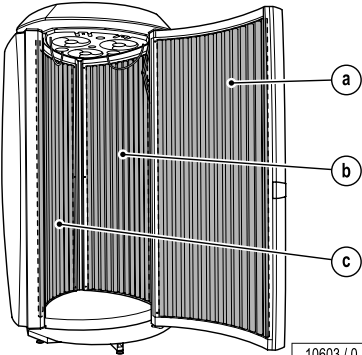
Model:	Sunrise 420 Turbo Power
Rated power consumption:	10,200 W
Rated frequency:	60 Hz
Rated voltage:	230 V
Fuse rating:	40 amp 3-pole or 80 amp 2-pole
Conformity mark:	
Noise level at 1 m from the sunbed:	71.6 dB(A)
Noise level in sunbed:	<81 dB(A)



04045 / 2



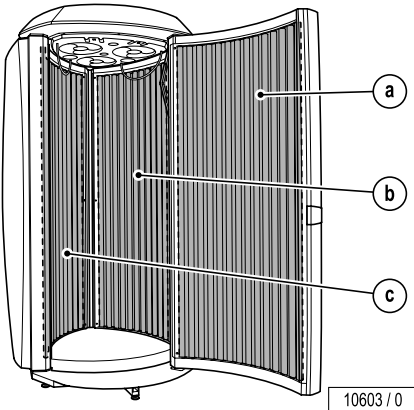
Rated power, activation and power levels of the UV lamps



	Rated power	Activation / power levels
Sunrise 420 Turbo Power		
a)	200 W	200 W / -
b)	200 W	200 W / -
c)	200 W	200 W / -

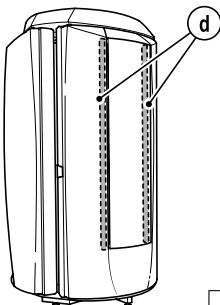


Installed lamps

UV lamps, starters	Order No. and lamp name	Sunrise 420 Turbo Power
	Low pressure lamps	
	a) 1005565-.. Ergoline Turbo Power 200 W	14
	b) 1005565-.. Ergoline Turbo Power 200 W	14
	c) 1005565-.. Ergoline Turbo Power 200 W	14
	Starter	
	a) b) c) 10002-.. Starter S12	42



Accent lights



10604 / 0

Standard lamps

d) 2 x



blue

58 W

12063-..

Starter

d) 2 x



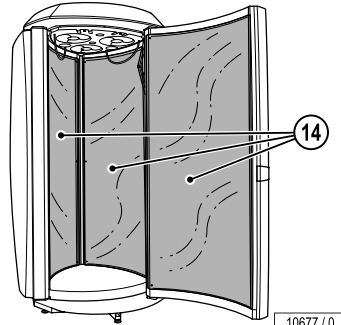
S10

10047-..



Spare parts and accessories

Acrylic glass, fan

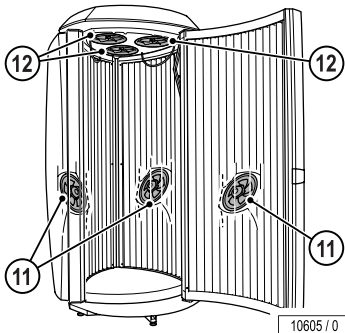


⑭ 3x 1501829-..



1x Ergoline
84592-..

or Schmerler
2255

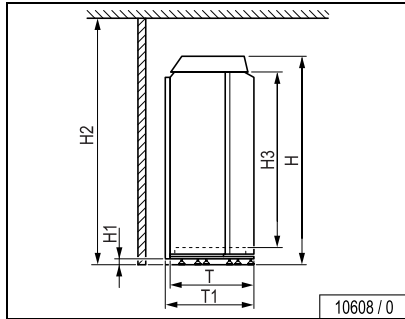


⑪ 3x 1502469-..

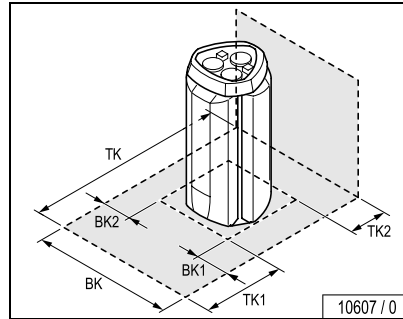
⑫ 3x 1502470-..



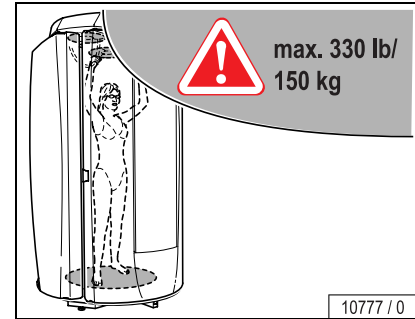
Dimensions



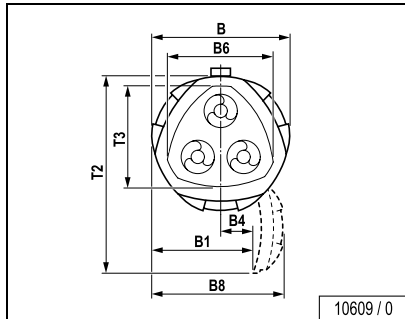
10608 / 0



10607 / 0



10777 / 0



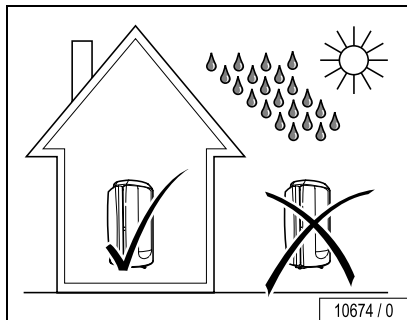
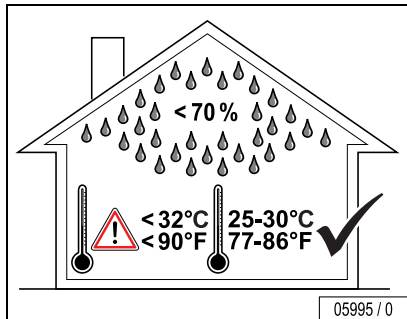
10609 / 0

B = 54 13/16 in TK = 94 1/2 in
 B1 = 34 1/8 in TK1 = 34 5/8 in
 B4 = 6 9/16 in TK2 = 11 13/16 in
 B6 = 34 in
 B8 = 53 13/16 in BK = 76 3/16 in
 T = 50 3/8 in BK1 = 19 11/16 in
 T1 = 54 5/16 in BK2 = 19 11/16 in
 T2 = 72 5/16 in
 T3 = 34 1/16 in
 H = 92 3/16 in
 H1 = 2 11/16 in
 H2 = 102 6/16 in
 H3 = 79 1/2 in

B = 1,392 mm TK = 2,400 mm
 B1 = 866 mm TK1 = 880 mm
 B4 = 166 mm TK2 = 300 mm
 B6 = 864 mm
 B8 = 1,367 mm BK = 1,935 mm
 T = 1,279 mm BK1 = 500 mm
 T1 = 1,380 mm BK2 = 500 mm
 T2 = 1,837 mm
 T3 = 865 mm
 H = 2,341 mm
 H1 = 69 mm
 H2 = 2,600 mm
 H3 = 2,020 mm



Installation location



Ventilation

Attention! Danger of failure!



Non-observance of the ventilation information in the Ergoline Planning Manual can lead to serious system malfunctions.

Data for air supply and extraction planning can be found in the Ergoline Planning manual¹⁾ (www.sunergoline.de). You can also ask for this data from your sales agent or customer service (see Page 2).

Operating altitude

For altitudes greater than 2000 m above sea level a conversion must be carried out to ensure trouble-free operation. Please contact Customer Service (see Page 2) before carrying out the conversion and starting up the unit for the first time.

1) Order no. 801482

JK-Products, Inc. – Limited Warranty

JK-Products, Inc. warrants its products to be free from defects in materials and workmanship under intended normal use as described in the unit's Operation and Instruction Manual, for a period of three (3) years from date of sale.

This Limited Warranty applies only to the original purchaser of the equipment through JK-Products, Inc. or its authorized dealer or distributor, and is not transferable.

Global Service USA obligations under this warranty are limited to repair or replacement of any defective part without charge for that part to the original purchaser, with the following exceptions:

- A Fluorescent lamps are warranted against defects for a period of thirty (30) days from date of sale.
- B Only parts obtained through JK-Products, Inc., its authorized dealers or distributors may be used. Transportation costs for parts shipped to the consumer and the return of defective parts to Global Service USA are not included.
- C Labor will be furnished without charge for ninety (90) days from date of purchase only. All labor and related charges must be authorized by Global Service USA prior to start of repairs, and must coincide with Global Service USA established rates and time allotment policy.
- D Acrylic: Refer to Manufacturer's Acrylic Warranty Policy.

It is imperative that the original customer completes and returns the enclosed warranty card within 10 days after purchase to insure valid registration and coverage for potential claims.

If the warranty card is not registered, proof of purchase from JK-Products, Inc. or its authorized dealer or distributor will be required prior to any consideration on warranty claims. This could result in service delays.

This warranty is extended to the individual or legal entity, whose name appears on the warranty registration card filed with Global Service USA, or whose name appears on the original sale document and may not be transferred to any other individual or legal entity.

This warranty does not apply to any failure of the product, or any parts of the product due to alterations, modifications, misuse, abuse, accident, improper maintenance, improper installation, acts of God or if the serial number on the product has been removed, altered or defaced. Adequate packaging must be used for returned goods to prevent freight damage.

There are no warranties which extend beyond the description on the face hereof. There is no express or implied warranty of fitness of merchantability.

The remedies provided in this limited warranty are the exclusive remedies provided to the purchaser by Global Service USA and are provided in substitution of all other remedies. Consequential and incidental damages are excluded.

No person, firm or corporation is authorized to obligate JK-Products, Inc. for any liability in connection with the sale or use of these goods.



Limited Acrylic Warranty

JK Products, Inc. warrants its acrylic sheets to be free from defects in material and workmanship, under intended normal use, for a period of one (1) year from date of sale of the tanning bed. Due to the tanning lotions, cosmetics, disinfectant and improper cleaners used on tanning surfaces that cannot be controlled by JK Products, Inc., after the first thirty (30) days of warranty period acrylic will be subject to a prorated cost to the consumer.

JK Products, Inc. obligations do not include transportation charges on replacement acrylic.

JK Products, Inc. assumes no liability for the cost of removing defective sheets or installing replacement sheets, nor for damage to persons or property.

To make a claim, contact an authorized dealer or distributor of JK-Products, Inc. or Global Service USA with the model number, the serial number, and the date of purchase of the bed in which the acrylic will be used.

There are no warranties which extend beyond the description on the face hereof. There is no express or implied warranty of fitness or merchantability.

The remedies provided in this limited warranty are the exclusive remedies provided to the purchaser by Global Service USA and are provided in substitution of all other remedies. Consequential and incidental damages are excluded.

Global Service USA

A Div of JK Products & Services, Inc.
#1 Walter Kratz Drive
Jonesboro, AR 72401

☎ 800-445-0624

☎ 870-935-9046

e-mail: support@jkamerica.com

<http://support.jkamerica.com>



Warranty Claims

Policy & Procedures

1. When to file a Warranty Claim:

In the event that your tanning system is not functioning properly under intended normal use as described in the unit's Operation an Instruction Manual, you may then have established cause to file a Warranty Claim.



NOTE:

Both the tanning system and legal registered owner must meet the criteria established under JK Products, Inc. Limited Warranty as described in this manual before any Warranty Claim will be considered.

2. Where to call to place a Warranty Claim:

JK-Products, Inc. is supported nationwide by an extensive dealer/distributor network through whom the majority of our units are sold. These dealers/distributors are required by contract to stock sufficient parts to meet the various warranty and nonwarranty needs of their customers.

Therefore, in order for you to properly file a Warranty Claim, you must locate the name and phone number of the dealer/distributor through whom you purchased your unit. Normally this information can be easily located either on your paid invoice or other proof of purchase documentation that you received when taking delivery of the unit.

Next, notify the dealer/distributor of the serial number, model number and date unit was purchased. This will initiate the Warranty Claim process.

Upon determination of the problem, your dealer/distributor can then supply you with the part(s) and proper instructions to return your unit to working order.

Each dealer/distributor has their own internal procedure for handling Warranty Claims and credits.



NOTE:

JK-Products, Inc., the manufacturer, does not involve itself in the direct handling of a Warranty Claim except where mitigating circumstances apply and where required by law.



NOTE:

If part returned to Global Service USA proves to be operational and not defective, or if product code numbers on part do not correspond with individual unit date on file with Global Service USA, then a 30% restocking fee will be charged in addition to the retail purchase price of part.

Acknowledgment of the Agreement is not required for acceptance of the foregoing stipulations.

Labor Warranty Claim/Credit Procedures

Global Service USA furnishes labor without charge for a period of 90 days from date of purchase. All labor and related charges must be authorized by Global Service USA prior to start or repairs, and must coincide with Global Service USA established rates and time allotment policy. Please contact our Service Department for authorization and billing procedures.



Limited Lifetime Warranty

Global Service USA warrants specific individual components of the tanning system against defects in materials and workmanship for the life of the product. Coverage is limited to units purchased after November 1, 1994.

This warranty is restricted by the following components only:

- Steel Back Panels
- Structural Steel Frame Components
- Exterior Steel Body.



NOTE:

Components are warranted on an individual basis and not as they may effect the complete product.

Warranty coverage does not include cosmetic abnormalities such as scratches, nicks, dents, rust, oxidation of paint or other cosmetic changes that do not interfere with the designed function of the unit.

This warranty does not include failure of the product due to alteration, modifications, misuse, abuse, improper maintenance, improper installation or repair.

This warranty is not transferable and is only applicable to the original purchaser named on a completed and registered warranty record at JK-Products, Inc. headquarters.

JK Products, Inc. obligations do not include transportation charged on the shipping of new components to the customer or on the return of defective components of the manufacturer. All freight charges must be paid by the customer.

There are no warranties which extend beyond the description on the face hereof. There is no express or implied warranty of fitness or merchantability.

The remedies provided in this limited warranty are the exclusive remedies provided to the purchaser by Global Service USA and are provided in substitution of all other remedies. Consequential and incidental damages are excluded.



NOTE:

Any misuse, abuse, modification, alteration, improper maintenance, improper installation, etc. of this product or its intended use will subject said party to direct responsibility and liabilities for any and all consequences resulting from such action. Furthermore, such actions will void all warranties and may relieve Global Service USA of any liabilities relating to said product.



Index

A		Door, accent lights	60	Maintenance overview	46
Accent lights	65	Door, replacing the UV lamps	53	Make-up	24
Accent lights, replace	60	E		Malfunctions	45
Accessories	20	Ending tanning session	28	Medication	24
Acrylic glass panel		Environmental protection	17	MP3 music, product information	16
Allowable loading	67	Equipment	18	Music channel, choosing	37
Product information	17	Extraction planning	68	N	
Acrylic glass, cleaning	47	G		Navigation	23
Allergies	24	Glasses	24	Noise level	62
B		Global Service USA, address	2	O	
Body cooling	29	Guidelines	15	Operating altitude	68
C		I		Operation overview	22
Care	43	Installation location	68	Operator commitments	15
Channel	37	Installed lamps	64	Order numbers	66
Cleaning	47	Intended use	15	P	
Lamps, filter panels	48	Interrupting tanning session	28	Packaging	17
Cleaning intervals	49	L		Plastic surfaces	48
Connected load	62	Lamp configuration	64	Power	62
Connecting an MP3 player	31	Lamps, disposal	17	Power levels of the lamps	63
Contact lenses	24	Listening to Info texts	35	Power, switching off	44
Control elements	22	M		Preparation time	25
D		Maintenance	46	Proper use	15
Description	19	Maintenance and care	43	Protective goggles	24, 25
Dimensions	67	Safety information	52	R	
Disinfection	47	Maintenance intervals	49	Rated power of the lamps	63
Disposal of lamps	17			Relamping	52

Running time of accent lighting..... 42

S

Safety information, maintenance 52

Selecting audio system 37

Showering 24

Side panels

 Replacing the UV lamps 55

Skin sensitivity 24

Skin types 3

Spare parts 43

 Order-No. 66

Starter 64

Starting tanning..... 25

Sunbed description 19

Sunbed, how to use it 24

Switching off the sound 40

T

Tanning 24

Tanning instructions..... 24

Technical data 62

Timer..... 25

U

Using the sunbed 24

UV low pressure lamps

 replacing 53, 55

V

Ventilation data, see Planning Manual..... 68

Voice Guide..... 33

Volume 40