

Indoor Tanning Equipment

Care and Use
Instructions



Wolff

Bellarium - S

2400B & 2800A

MONTEGO BAY
Decatur, AL 35602

1-800-FAST-TAN

A-04226-1
Rev. 2

UNIT SPECIFICATIONS

Model	MB-2400B	MB-2800A
Length	92"	92"
Width	35.5"	40.5"
Height (closed)	30"	31"
Height (open)	50.5"	55.5"
Number of lamps	24	28
Voltage	240 VAC	240 VAC
Amperage	18 AMPS	21AMPS
Shipping weight	580 pounds	620pounds

DANGER - ULTRAVIOLET RADIATION. Follow instructions. Avoid overexposure. As with natural sunlight, overexposure can cause eye and skin injury and allergic reactions. Repeated exposure may cause premature aging of the skin and skin cancer. **WEAR PROTECTIVE EYEWEAR; FAILURE TO DO SO MAY RESULT IN SEVERE BURNS OR LONG-TERM INJURY TO EYES.**

Medications or cosmetics may increase your sensitivity to ultraviolet radiation. Consult a physician before using tanning unit if you are using medications, have a history of skin problems or believe yourself to be especially sensitive to sunlight. If the sun does not tan you, you are unlikely to tan from the use of this product.

This unit utilizes UVA lamps. Replace with **BELLARIUM S SA1-10 100W** lamps.

To obtain recommended exposure at a minimum distance of 1/2" (13 mm) measured with a standard ruler, lie on acrylic surface of lounge and lower canopy. Canopy will stop at 12 inches (305 mm) from lounge acrylic surface. The use of any other position may result in overexposure.

RECOMMENDED EXPOSURE SCHEDULE

Skin Type	Week 1 1st - 3rd Sessions	Week 2 4th - 6th Sessions	Week 3 7th - 10th Sessions	Week 4 11th - 15th Sessions	Week 5 Subsequent Sessions
II Fair	3 minutes	6 minutes	12 minutes	15 minutes	20 minutes
III Average	4 minutes	8 minutes	12 minutes	15 minutes	20 minutes
IV Brown	5 minutes	10 minutes	15 minutes	20 minutes	20 minutes
V Dark Brown	6 minutes	12 minutes	15 minutes	20 minutes	20 minutes

Tanning can begin on a regular basis (allowing 48 hours between sessions). An appearance of tanning normally occurs after a few exposures and maximizes after four (4) weeks of exposure following the recommended schedule for your skin type.

Use protective eyewear whenever the equipment is energized. Read the instruction booklet before using this product.

Instructions accompanying this product should always be followed to avoid or minimize potential injury.

RECOMMENDED EXPOSURE SCHEDULE

Skin Type	Week 1 1st - 3rd Sessions	Week 2 4th - 6th Sessions	Week 3 7th - 10th Sessions	Week 4 11th - 15th Sessions	Week 5 Subsequent Sessions
II Fair	3 minutes	6 minutes	12 minutes	15 minutes	20 minutes
III Average	4 minutes	8 minutes	12 minutes	15 minutes	20 minutes
IV Brown	5 minutes	10 minutes	15 minutes	20 minutes	20 minutes
V Dark Brown	6 minutes	12 minutes	15 minutes	20 minutes	20 minutes

No two individual skin tones are the same. A tan to one person may be different to another, and session length may vary. It is recommended that, following a tanning session, a skin moisturizer be applied. This promotes a smoother more even looking tan. Equally important - many facial make-ups have oil bases and should be removed prior to each tanning session.

NOTE

SINCE THE BACK AND STOMACH AREAS OF THE BODY WILL RECEIVE THE MAJORITY OF THE TANNING RAYS, IT IS RECOMMENDED THAT INDIVIDUALS SPEND AT LEAST (5) MINUTES LYING ON EACH SIDE OF THE BODY DURING SESSIONS TO ACHIEVE A FULL-BODIED TAN.

SINCE YOUR TANNING UNIT WILL CAST OFF SOME HEAT, IT IS RECOMMENDED THAT A SMALL FAN BE USED TO IMPROVE AIR CIRCULATION DURING SESSIONS. LIKEWISE, ADEQUATE VENTILATION OF THE ROOM OR BOOTH HOUSING THE TANNING UNIT IS REQUIRED FOR COMFORTABLE OPERATION.

WARNING

COMMERCIALY AVAILABLE CREAMS, LOTIONS AND OILS CONTAIN SUNSCREENS WHICH FORM A PHYSICAL BARRIER ON THE SKIN THAT PREVENTS THE UVA RAYS FROM PENETRATING AND INDUCING A TAN. IT IS RECOMMENDED THAT YOU USE ONLY CREAMS, OILS OR LOTIONS THAT DO NOT CONTAIN POLYETHYLENE/GLYCOL LAURATE OR POLYETHYLENE/GLYCOL MONO LAURATE AND ARE DESIGNED FOR USE WITH INDOOR TANNING EQUIPMENT. FAILURE TO COMPLY WITH RECOMMENDATIONS AND WARNINGS STATED ABOVE MAY VOID THE MANUFACTURER'S WARRANTY.

OPERATING YOUR TANNING UNIT

This unit is equipped with a remote timer. The timer is used to preselect the actual tanning time and switch on the tanning unit. The timer will automatically switch the tanning unit off when the preselected time expires.

To operate timer, rotate knob clockwise to the desired tanning time, timer can be set to a maximum of twenty (20) minutes. Refer to the exposure times and frequencies for correct timer setting.

After timer is set and the "on-off" switch in on, the unit is ready for immediate operation. Lie on acrylic surface of lounge and lower canopy. The canopy will stop with its acrylic surface 12 inches (305 mm) from the acrylic surface of the lounge. There is no additional time required for lamp start-up.

CARE AND CLEANING OF YOUR TANNING UNIT

CAUTION: THE TANNING UNIT SHOULD BE DISCONNECTED FROM THE POWER SUPPLY BEFORE CLEANING OR DISINFECTING THE INSIDE OF THE ACRYLIC. AVOID WATER OR SOLUTION ENTERING THE LAMP COMPARTMENT.

After each session is completed, spray the acrylic surface with a specially formulated (ultraviolet transmitting) acrylic cleaner. Wipe the surface of the acrylic with a clean cloth. The acrylic should never be wiped with a dry cloth because this will generate a slight static charge which will attract dust.

For maximum efficiency of your tanning unit, periodic cleaning of lamps, reflectors, acrylics, fans, and the inside of the unit is required.

CAUTION: FAILURE TO CLEAN BEDS, FANS, AND THE INSIDE OF YOUR TANNING UNIT COULD VOID THE WARRANTY.

CAUTION: DO NOT USE EXCESSIVE AMOUNTS OF WATER, ANY ABRASIVE CLEANERS, OR ANY SPRAY CLEANER THAT IS NOT SPECIFICALLY DESIGNED FOR USE WITH ACRYLIC SURFACES. DO NOT USE ALCOHOL.

Note: Periodic polishing of the exterior painted surface may be necessary to maintain the finish. An automotive polish, not wax, should be used. Do not clean with anything that may damage the paint.

To obtain repairs and recommended replacement components which are compatible with this unit, including UV acrylic cleaner, protective eyewear, lamps, acrylic, timers, reflectors, and other parts, which will, if installed and used as instructed, result in continued compliance with CFR 21 1040.20., please contact your distributor or:

MONTEGO BAY
P. O. Box 1449
DECATUR, AL 35602
1-800-FAST TAN

RELAMPING INSTRUCTIONS

CAUTION: REPLACE ONLY WITH BELLARIUM S SA1-10-100W LAMPS.

1. Disconnect unit from power source.
2. Remove acrylic from unit by removing the acrylic retaining strip located along one long edge of the acrylic and sliding the acrylic out of the unit.
3. Push lamp toward end of unit to disengage the lamp from the stationary lampholder. Remove lamp.
4. Replace by inserting end of lamp in spring loaded lampholder at the end of the unit and push until the lamp will insert and properly seat in stationary lampholder at the end of the unit.
5. Clean and replace block-off panels and acrylic shield. (Refer: CARE AND CLEANING). Reconnect unit to power.
6. See CARE AND CLEANING section for information on ordering lamps.

ASSEMBLY INSTRUCTIONS

1. Open cartons, remove packing, remove and inspect unit and all associated parts and hardware per the hardware drawings in the back of this manual.
2. Leg Installation
 - a. Turn lounge half of unit upside down and position legs over mounting holes in bottom panels.
 - b. Attach legs using (4) 5/16-18 x 1" Bolts, flat washers and lockwashers each. Tighten all bolts thoroughly.
 - c. Turn lounge right side up and rest on legs.
3. Hinge Installation
 - a. Attach hinge assemblies (with brake shoes installed) to each end of lounge using (2) 3/8-16 x 2-1/4" bolts, (2) bolt cap washers and (2) spacer washers each. Be sure that side of hinge assembly with large (1-7/8" dia.) hole at top is on inside - toward the bed. **Do not tighten bolts completely or install bolt caps at this time.**
 - b. Attach pneumatic cylinder clevis to tab on hinge assembly using 5/16-18 x 1" bolts and elastic stop nuts. Remove wire locking clips from ball sockets at top of pneumatic cylinders.
 - c. Lift canopy half of unit (with brake bosses attached) and slide bosses into shoes in hinge assemblies (top ends of hinge assemblies must be forced outward in order to accomplish this.) Insert (1) 3/8-16 x 2-1/4" bolt, Teflon washer and bolt cap washer in each end to hold position. With an assistant holding front edge of canopy at full open position, snap ball sockets on the pneumatic cylinders onto ball studs on canopy. **Replace wire locking clips.**
 - d. Tighten all bolts thoroughly and snap (3) plastic bolt caps into place over bolt heads on each end of unit. Then, adjust brakes (using 5/32 allen wrench in hardware kit) to provide desired ease of operation.
4. Electrical Hook-up
 - a. Connect jumper cord from canopy to lounge by aligning male plug on jumper with female receptacle on rear of lounge and tightening locking nut.
 - b. Connect cord from remote timer to unit by aligning male plug on timer cord with female receptacle on rear of lounge and tightening locking nut.
 - c. The tanning unit must be connected only to a 240 volt, 30 amp single phase power supply and must be permanently wired, in accordance with local codes, from the wall to the unit using 10 gauge, 4-wire single phase wiring. A 30-amp circuit breaker is required. No power cords or plugs are supplied with this unit. **This wiring should be performed by a qualified electrician.** (See page 15 for wiring power supply to unit).

GENERAL TROUBLE SHOOTING GUIDE

The following trouble shooting information is divided into two sections. Section A contains items which the owner may check without the aid of a service person. Section B contains items which must be performed by **qualified service personnel** only. If you have any questions other than the ones listed in your troubleshooting guide, contact your distributor.

(NOTE: All units are not the same, therefore some of the causes may not apply to your unit.)

GENERAL TROUBLESHOOTING (SECTION A)

CAUSE:	SOLUTION:
1. Tanning unit does not operate.	
a. No power to the unit.	Check circuit breaker servicing unit.
b. Timer not connected to lounge.	Connect cord from timer to timer receptacle on lounge.
c. Timer not turned on.	Rotate time knob clockwise to activate unit.
d. Canopy not connected to lounge.	Connect jumper cord from canopy to lounge.
e. "On-off" switch turned off.	Push switch to "on" position.
2. Lamps will not light.	
a. Lamp(s) not properly seated.	Remove lamp(s), inspect contacts on lamp(s), and lampholder(s), reinstall securely into lampholder(s).
b. Faulty lamp(s).	Replace lamp(s).
3. Canopy does not hold its position when set.	
a. Loose brakes.	Tighten brakes with allen wrench.
b. Faulty cylinders.	Replace cylinders.
4. Unit is running hot.	
a. Tanning room too small or improperly ventilated.	Provide sufficient space and ventilation for system.
b. Vent fans dirty.	Clean fan guards to insure air flow is not blocked.
5. Tanning unit is not tanning.	
a. Acrylic is dirty.	Clean both sides of acrylic with U.V.T. (Ultraviolet Transmitting) Acrylic Cleaner.
b. Lamps and Reflectors are dirty.	Remove lamps, wipe with damp cloth, dry. Wipe reflectors using a soft cloth and U.V.T. Cleaner.
c. Lamps are nearing the end of their effective life.	Replace lamps with new lamps.

GENERAL TROUBLE SHOOTING (SECTION B)

All services in the following section are to be completed by a **qualified service technician**. This section is to aid in isolating and correcting any problems which may occur and is not intended for use by owner. Refer to the assembly instructions included with each bed for reference in disassembling and wiring the tanning unit. Disconnect all power to the unit before servicing. Use only factory authorized components for replacement parts.

CAUSE:	SOLUTION:
1. Tanning unit does not operate.	
a. Incorrect connection of incoming power.	Check electrical connections against wiring diagram and correct as necessary.
b. Faulty timer.	Replace.
c. Faulty contactor in bed.	Replace.
d. Poor wiring connections.	Check wiring circuit against appropriate wiring diagram and correct as required.
e. Faulty on-off switch	Replace.
f. Power between lounge and canopy not wired correctly.	Check jumper cord connections against diagram and correct as required.
2. Lamp(s) won't light.	
a. Poor wire connection at lampholder(s).	Check for loose wire and repair.
b. Faulty or damaged lampholder(s).	Replace.
c. Incorrect incoming power.	Check incoming voltage and correct if required.
d. Ballast(s) not functioning properly.	Locate loose wire (to or from) ballast(s) and correct as required. Replace ballast(s) if necessary.
3. Tanning unit running hot.	
a. Incorrect incoming power.	Check incoming voltage and correct if required.
b. Vent fan(s) not functioning properly.	Check wiring to fans and correct as required. Replace vent fan(s) if necessary.
4. Tanning unit is not tanning.	
a. Incorrect incoming power.	Check incoming voltage and correct if required. Also see CARE AND CLEANING section.
5. Tanning unit will not shut off.	
a. Faulty contactor	Replace. (Note: return defective contactor to your distributor).
b. Faulty timer.	Replace. (Note: return defective timer to your distributor).

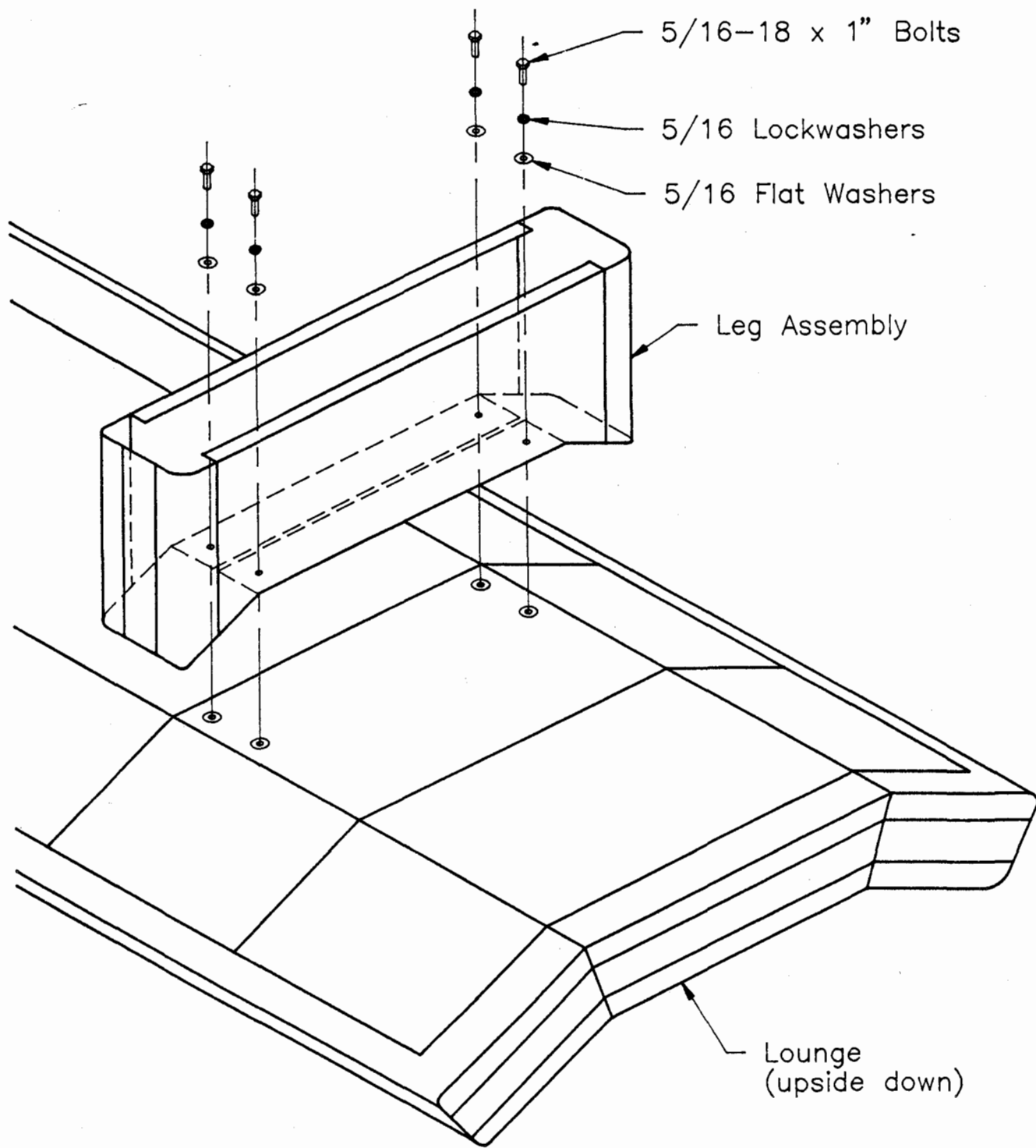


FIGURE #1
Leg Installation
(MB-2400B Shown)

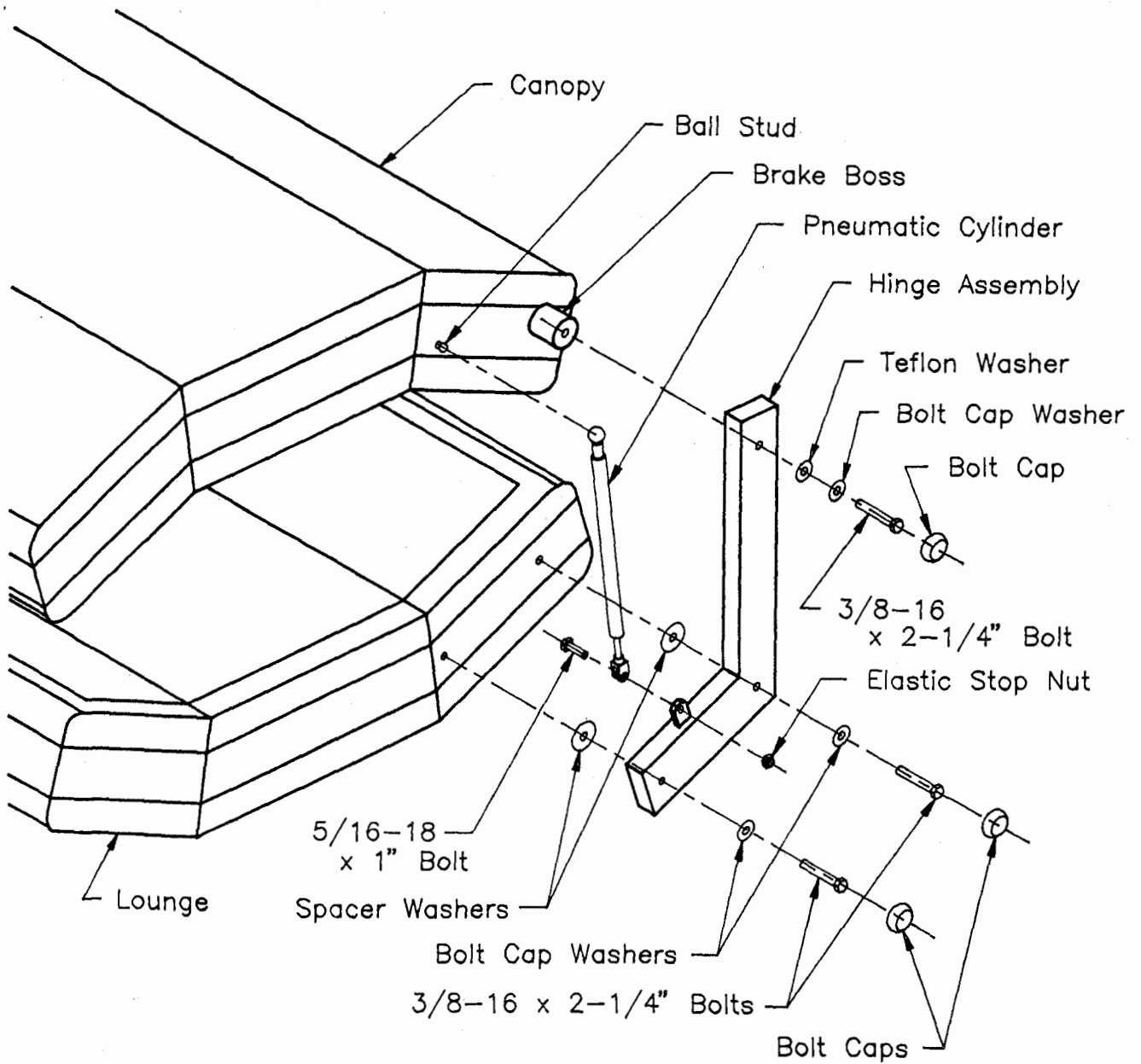
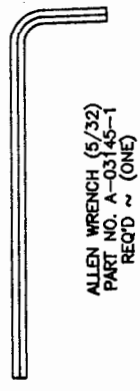


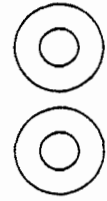
FIGURE #2
 Hinge Installation
 (MB-2400B Shown)

REV	DATE	DESCRIPTION

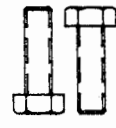
PART NO.	DESCRIPTION	QTY.	DWG. NO.
A-03958-1	HARDWARE KIT - CANOPY	1	A-01132
011338	PLASTIC BAG, 5' x 8' x 3 MIL	6	A-03073
A-03073-2	BOLT, 3/8-16 x 2-1/4" HHMB	2	A-03073
A-03073-6	BOLT, 5/16-18 x 1" HHCS	6	A-03110
A-03110-1	PLASTIC BOLT CAP (CAPPLUGS)	6	A-03110
A-03110-2	BOLT CAP WASHER (CAPPLUGS)	6	A-03109
A-03109-1	PLASTIC TUBING CAP	2	A-03109
A-03109-2	PLASTIC TUBING CAP	2	A-03024
A-03024-1	SPACER WASHER	4	A-04224
A-04224-1	TEFLON WASHER	2	A-03282
A-03282-1	5/16-18 ELASTIC STOP NUT	2	A-03145
A-03145-1	ALLEN WRENCH - (5/32)	1	A-03145



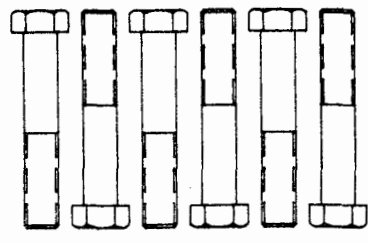
ALLEN WRENCH (5/32)
PART NO. A-03145-1
REQ'D ~ (ONE)



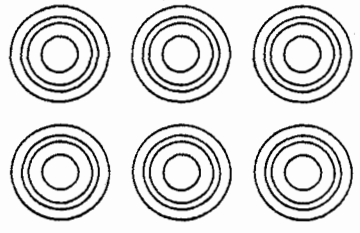
TEFLON WASHER
PART NO. A-04224-1
REQ'D ~ (2)



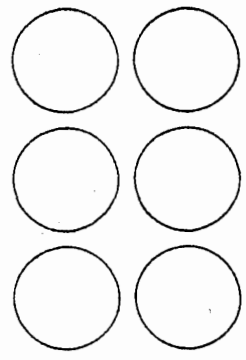
5/16-18 HEX BOLT
PART NO. A-03073-6
REQ'D ~ (2)



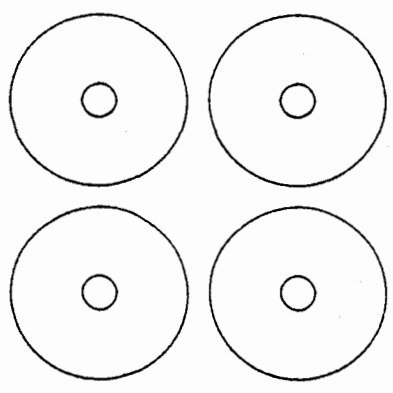
3/8-16 x 2-1/4" HEX BOLT
PART NO. A-03073-2
REQ'D ~ (6)



BOLT CAP WASHER
PART NO. A-03110-2
REQ'D ~ (6)



PLASTIC BOLT CAP
PART NO. A-03110-1
REQ'D ~ (6)

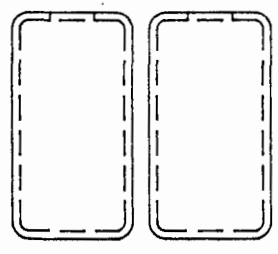


SPACER WASHER
PART NO. A-03024-1
REQ'D ~ (4)

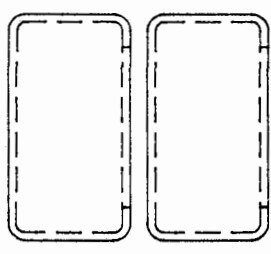
PART NO. A-04223-1
(HARDWARE TO BE PLACED
IN PLASTIC BAG
PART NO. 011338)



5/16-18 ELASTIC STOP NUT
PART NO. A-03282-1
REQ'D ~ (2)



PLASTIC TUBING CAP
PART NO. A-03109-1
REQ'D ~ (2)



PLASTIC TUBING CAP
PART NO. A-03109-2
REQ'D ~ (2)

MONTECO Bay

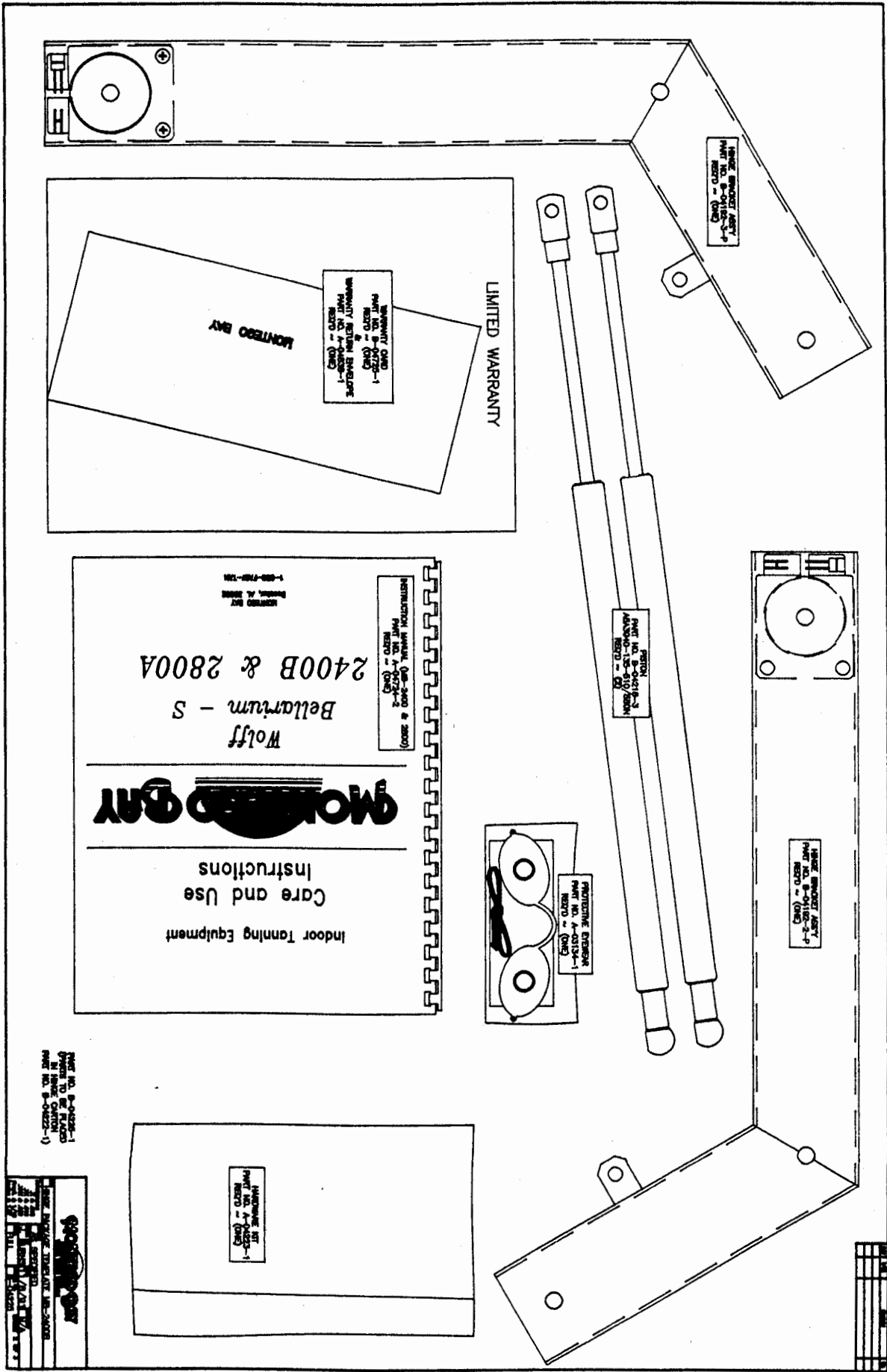
HARDWARE KIT - CANOPY MB E 3000

DATE: 11/7/91

BY: BURRIS

SCALE: FULL

SHEET 1 OF 1



PART NO. 8-04162-3
 QUANTITY TO BE ORDERED
 IN RANGE CENTER
 PART NO. 8-04172-1

MONTROSE BAY

INDOOR TANNING EQUIPMENT

1-800-788-1234

MADE IN THE U.S.A.



Indoor Tanning Equipment
 Care and Use
 Instructions

Wolf
 Bellarum - S
 2400B & 2800A

INSTRUCTION MANUAL (8-2400 & 2800)
 PART NO. 8-04173-1
 QUANTITY TO BE ORDERED
 PART NO. 8-04172-1

WARRANTY CARD
 PART NO. 8-04172-1
 QUANTITY TO BE ORDERED
 PART NO. 8-04162-3-P

LIMITED WARRANTY

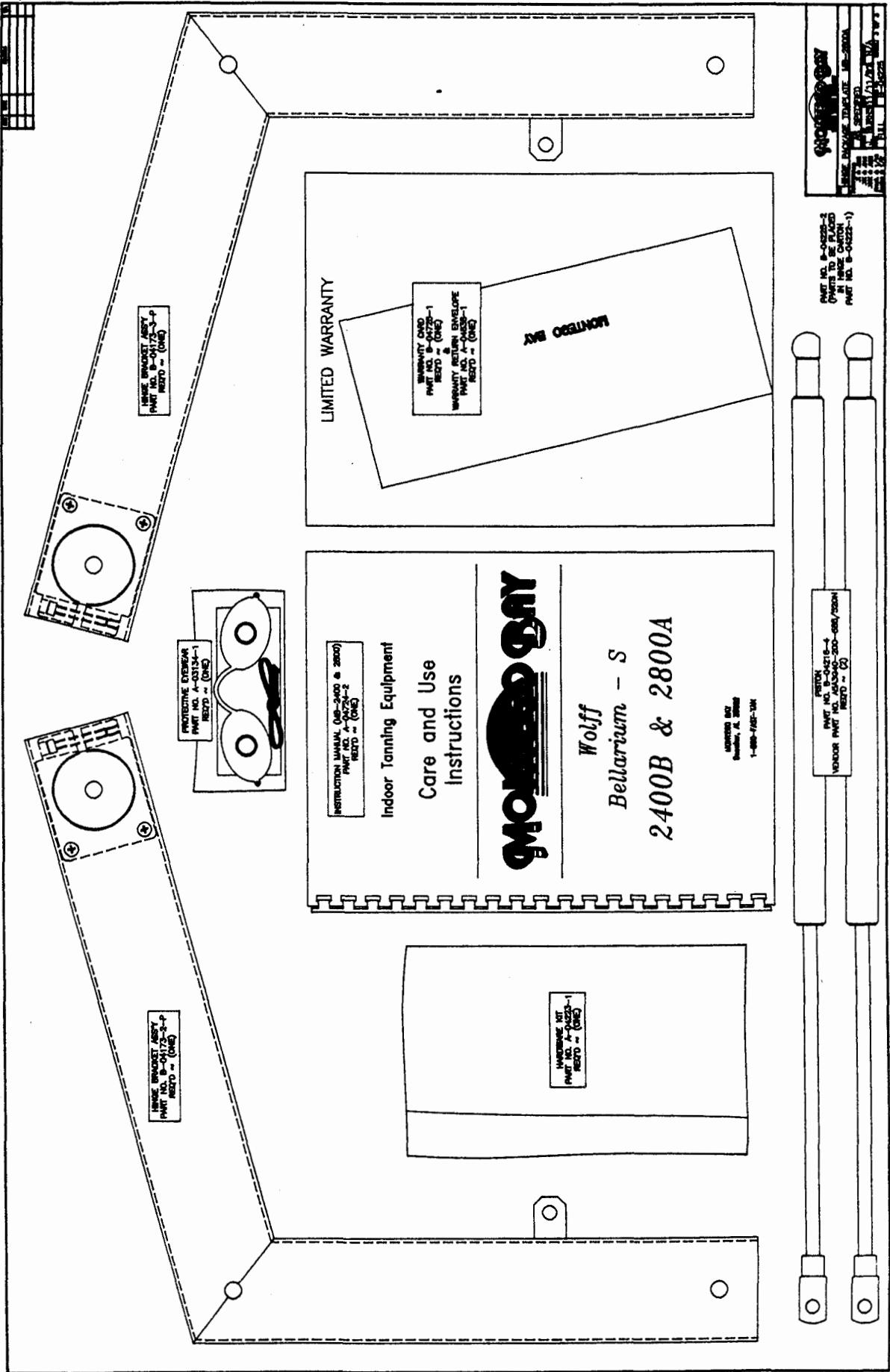
MONTROSE BAY

PROTECTIVE EYES
 PART NO. 8-04165-1
 QUANTITY TO BE ORDERED

ROLLER
 PART NO. 8-04163-3
 QUANTITY TO BE ORDERED
 PART NO. 8-04164-1

PART NO. 8-04162-3-P
 QUANTITY TO BE ORDERED

PART NO. 8-04162-3-P
 QUANTITY TO BE ORDERED



REPLACEMENT PARTS LIST (MB-2400B & 2800A)

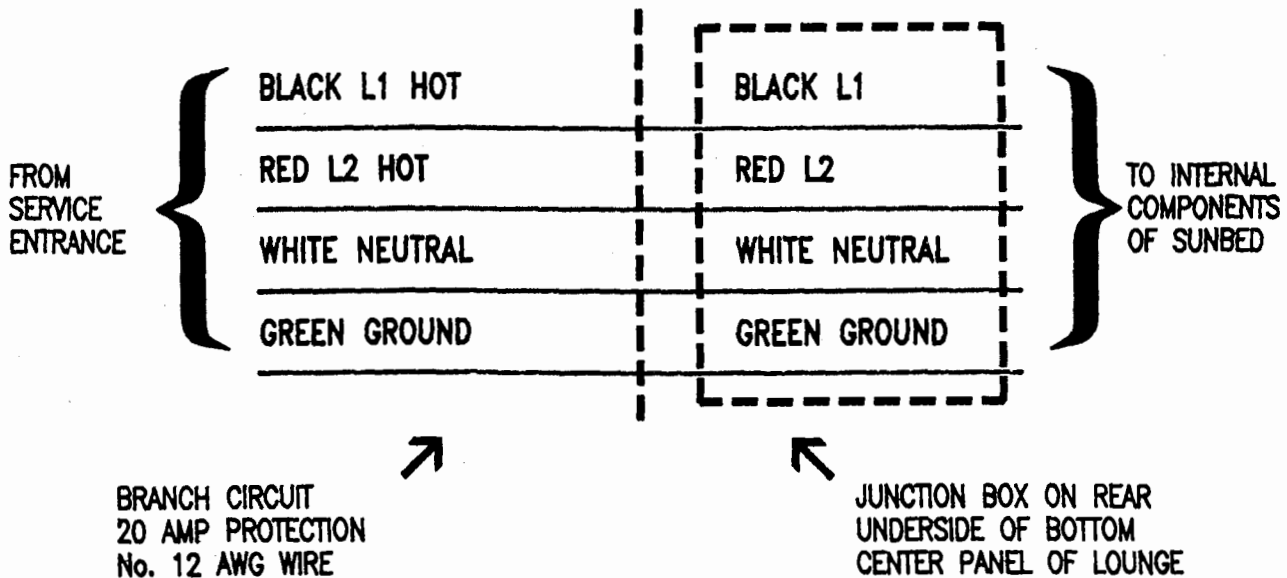
PART DESCRIPTION	MONTEGO BAY		
	PART #	MB-2400B (quantity)	MB-2800A (quantity)
ACRYLIC RETAINER STRIP	B-04710-1-P	2	2
ACRYLIC SHEET	B-04689-1	2	0
ACRYLIC SHEET	B-04690-1	0	2
ALLEN WRENCH - HINGES	A-03145-1	1	1
BALLAST (1000 MA)	B-03069-1	12	14
BODY FAN	B-03050-1	1	2
BODY FAN GRILLE	A-03123-1	2	4
BODY FAN RHEOSTAT	A-03056-1	1	1
BODY FAN SHROUD	C-04190-1	1	0
BODY FAN SHROUD - CANOPY	C-04191-1	0	1
BODY FAN SHROUD - LOUNGE	C-04191-2	0	1
BOLT CAP - PLASTIC	A-03110-1	6	6
BOLT CAP WASHER	A-03110-2	6	6
BOTTOM CENTER PANEL	B-04149-1-P	1	0
BOTTOM CENTER PANEL	B-04151-1-P	0	1
BOTTOM END PANEL	B-04677-1-P	2	0
BOTTOM END PANEL	B-04698-1-P	0	2
BOTTOM INTERMEDIATE PANEL	B-04692-1-P	2	0
BOTTOM INTERMEDIATE PANEL	B-04697-1-P	0	2
BRAKE BOSS	A-04696-1	2	2
BRAKE SHOE	A-03018-1	2	2
BULB (BELLARIUM S)	A-03094-1	24	28
BULB HOLDER (FIXED)	A-03054-1	24	28
BULB HOLDER (MOVABLE)	A-03055-1	24	28
CONTACTOR	A-03053-1	1	1
CUSHION	B-04126-1	1	0
CUSHION	B-04127-1	0	1
FUSE (AGC-3)	A-03065-1	1	1
FUSE HOLDER	A-03064-1	1	1
HARDWARE KIT - HINGES	A-04223-1	1	1
HARDWARE KIT - LEGS	A-03095-1	1	1
HINGE BRKT ASS'Y - LEFT	B-04173-3-P	0	1
HINGE BRKT ASS'Y - LEFT	B-04192-3-P	1	0
HINGE BRKT ASS'Y - RIGHT	B-04173-2-P	0	1
HINGE BRKT ASS'Y - RIGHT	B-04192-2-P	1	0
HINGE PACKAGE	B-04225-1	1	0
HINGE PACKAGE	B-04225-2	0	1
HOUR METER	A-03067-1	1	1
INDICATOR LIGHT TIMER	A-03104-1	1	1
JUMPER CORD ASS'Y	B-04213-1	1	1
LEG ASS'Y - LEFT	C-04731-1-V	1	0
LEG ASS'Y - LEFT	C-04732-1-V	0	1
LEG ASS'Y - RIGHT	C-04731-2-V	1	0
LEG ASS'Y - RIGHT	C-04732-2-V	0	1
ON-OFF/BODY FAN SWITCH	A-03068-1	1	2
PNEUMATIC CYLINDER	B-04216-3	2	0
PNEUMATIC CYLINDER	B-04216-4	0	2
PROTECTIVE EYEWEAR	A-03134-1	1	1
REFLECTOR	B-04194-1	24	28
REMOTE TIMER ASS'Y	B-04215-1	1	1
SCREW CAP - PLASTIC	A-03120-1	85	106
SCREW CAP WASHER	A-03120-2	85	106

REPLACEMENT PARTS LIST (MB-2400B & 2800A)

PART DESCRIPTION	MONTEGO BAY		
	MB-2400B	MB-2800A	
	PART #	(quantity)	(quantity)
SKIRT	B-04206-1-V	1	0
SKIRT	B-04206-2-V	0	1
SPACER WASHER - HINGES	A-03024-1	4	4
STRAIN RELIEF	A-03066-1	1	1
TERMINAL BLOCK (3 POLE)	A-04220-1	7	8
TERMINAL BLOCK (4 POLE) LARGE	A-04363-1	2	2
TERMINAL BLOCK (4 POLE) SMALL	A-04220-2	2	2
TIMER (20 MIN)	A-03052-1	1	1
TIMER/RHEOSTAT KNOB	A-03098-1	2	2
TOP PANEL	B-04146-1-P	1	0
TOP PANEL	B-04147-1-P	0	1
VENT FAN	B-03051-1	8	12
VENT FAN DELAY	A-04279-1	1	1
VENT FAN LEAD	B-03051-2	8	12

MONTEGO BAY 2400B & 2800A

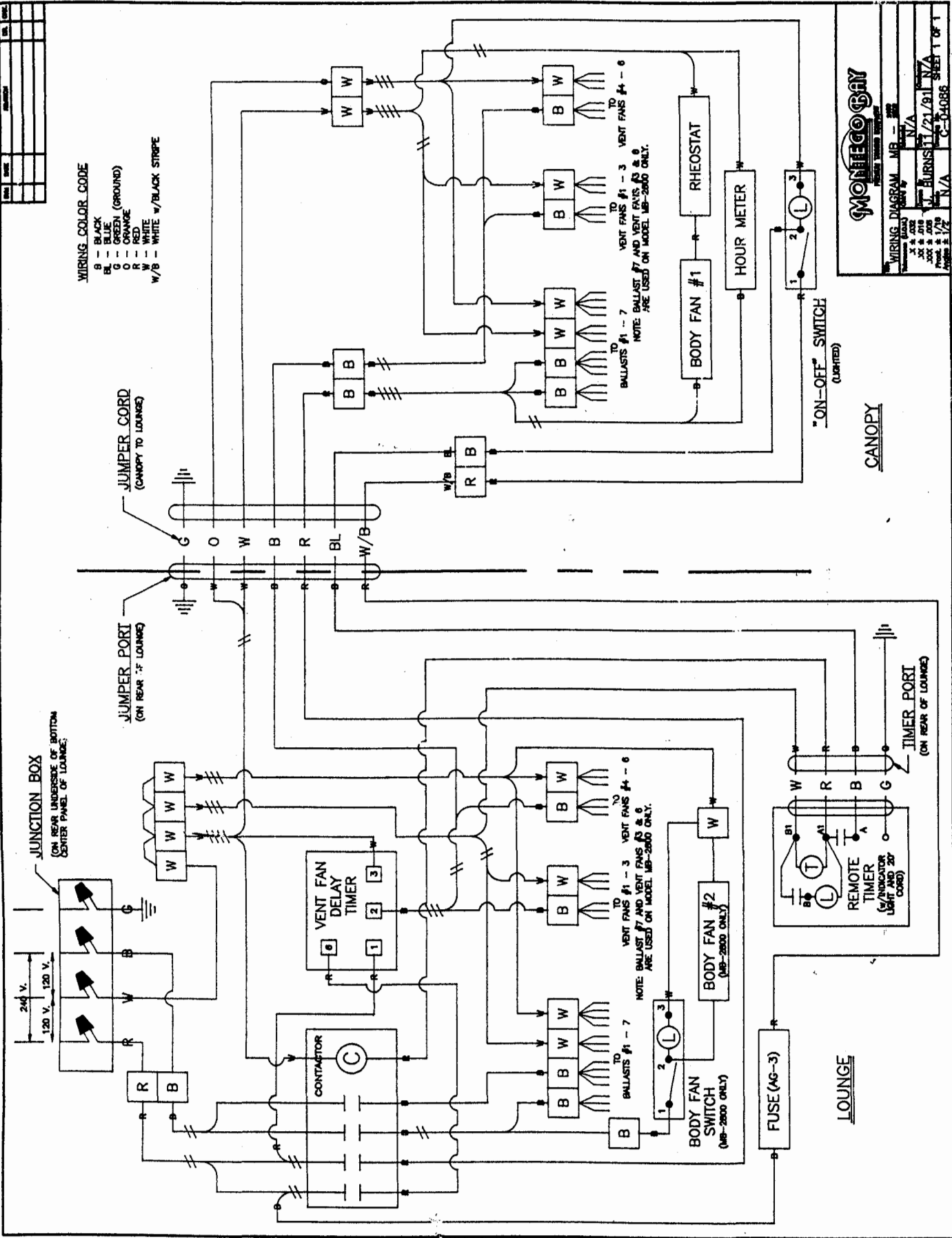
240 VAC 60 Hz single phase 30 amp circuit required



REV.	DATE	BY	CHK.

WIRING COLOR CODE

- B - BLACK
- BL - BLUE
- G - GREEN (GROUND)
- GR - GREEN (GRANGE)
- OR - ORANGE
- R - RED
- W - WHITE
- W/B - WHITE w/BLACK STRIPE



MORNINGSTAR
 WIRING DIAGRAM MB-2800
 DATE: 11/21/81
 DRAWN BY: J. BURNS
 CHECKED BY: N/A
 PROJECT NO: 1/79
 SHEET 1 OF 1
 C-14086