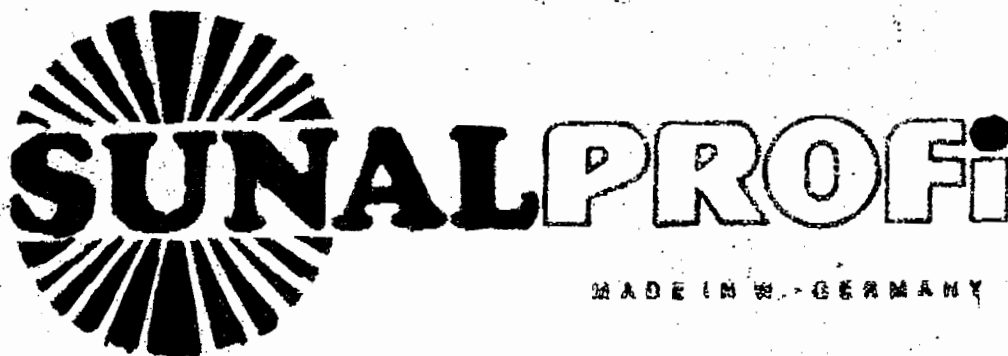




SUNAL Incorporation  
9218 Royal Lane, Irving, Dallas, Tx. 75039  
Telephone 214-258-0033

INSTRUCTION  
FOR ASSEMBLY AND  
OPERATING INSTRUCTIONS



MADE IN W.-GERMANY

This product must be connected with a socket with protective plug reception, which is protected by fuses.

Sun-bed "Profi"	100 Watt-tubes	220 V	16 A
Lift-canopy "Profi"	100 Watt-tubes	220 V	16 A
Folding-combination "Profi"	100 Watt-tubes	220 V	16 A
Lift-combination "Profi"	100 Watt-tubes	220 V	16 A
Super Lift-shell "Profi"	100 Watt-tubes	220 V	16 A
Super Lift-shell "Profimax"	100 Watt-tubes	2x220 V	2x16 A

Attention: After switching off the solarium the cooling fans continue to work for about 3 minutes.

The power of the integrated ventilators is so well calculated that they provide an optimal UV emission and at the same time guarantee comfortable temperatures, even if they are working continuously - provided that the room temperature doesn't exceed 24° degrees. It is important to take care that there is enough fresh air supply in the room where the solarium is installed to avoid an exceeding of the room temperature.  $24^{\circ}\text{C} = 75^{\circ}\text{F}$

Before putting the unit into operation please read the enclosed instructions.

At the headside of the Sun-bed an hour meter is integrated. The acrylic glass plate has a window through which one can read the operating hours.

#### Assembly of the Sun-bed Profi

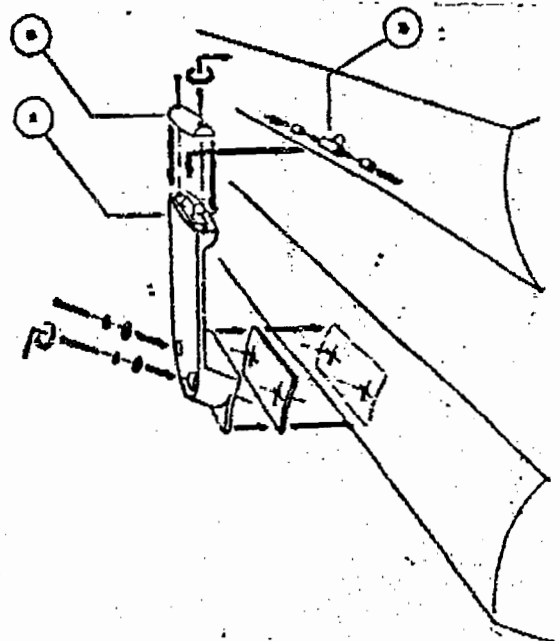
Screw the feet - delivered in a separate case - under the Sun-bed.

#### Assembly of the Lift-canopy Profi

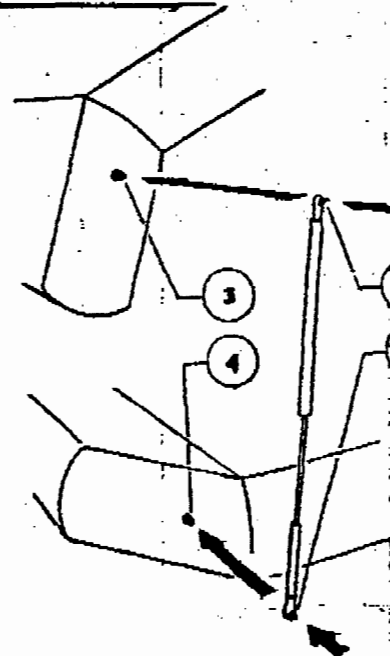
A detailed instruction for assembly is attached to the ceiling lift.

#### Assembly of the Folding-combination Profi

1. Screw the feet - delivered in a separate case - under the Sun-bed.
2. Screw the supports for the canopy firmly to the left and the right end of the Sun-bed.
3. As shown on the opposite sketch screw the cover (2) off the support (1) and put the canopy - as it is shown - with the hinges (3) into the supports, then screw on the cover again.

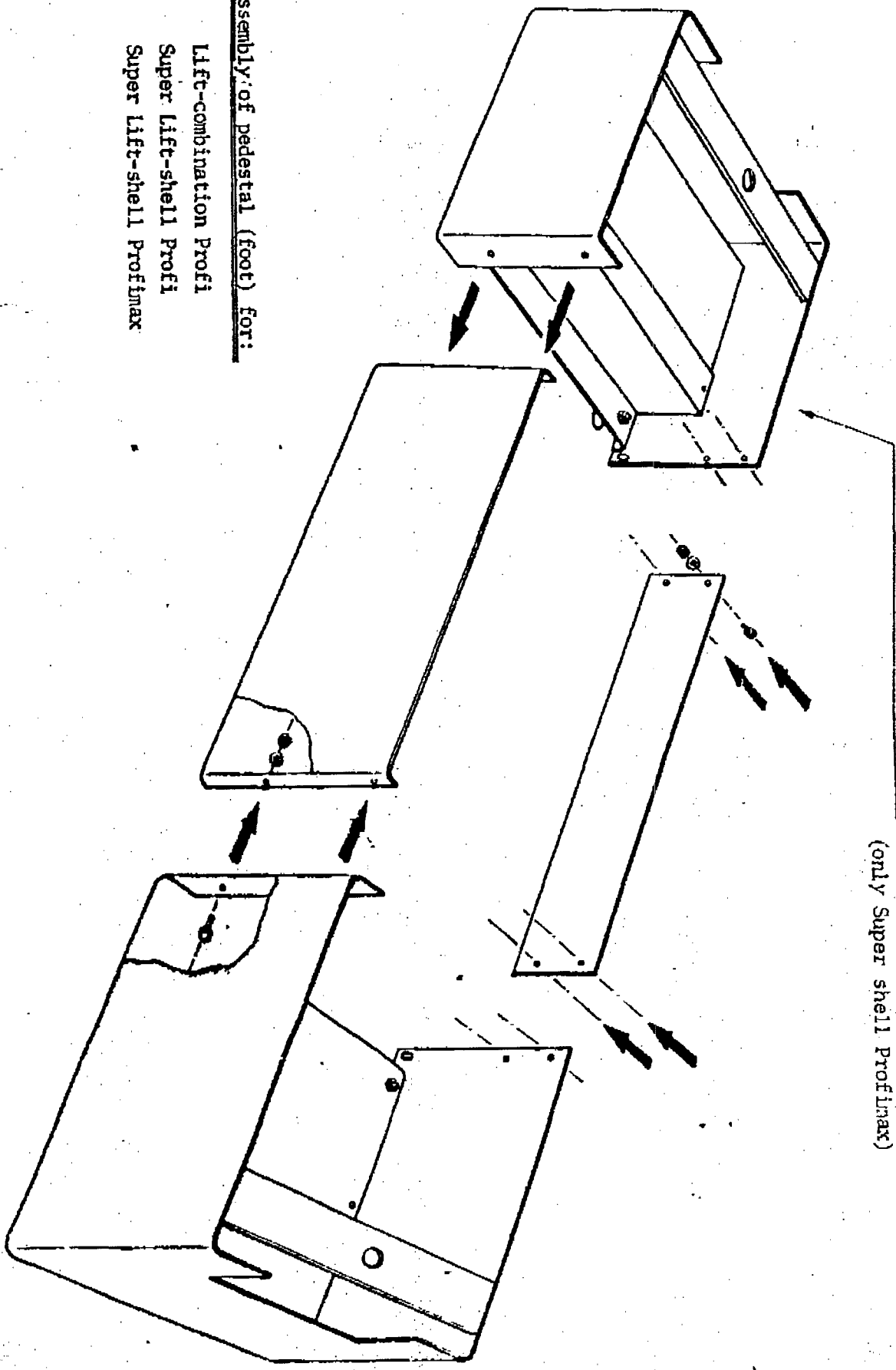


4. Draw both safety pins (1 + 2) out at the ends of the shock absorbers. Press the openings of the ends of the shock absorbers on the ball bolts (3 + 4) of the bed and lock the safety pins by pressing them in. The shock absorber must be installed with the piston upwards, so that the push rod is drawn out downwards when opening the canopy. Lift the canopy and press the upper ends of the shock absorber on the ball bolts of the canopy and then press in the safety pins.
5. Press the connection line of the canopy into the back of the bed.



Assembly of the Lift-combination Profi, Super Lift-shell Profi and Super Lift-shell Profimax

1. Put the swivel lift on the back. Fasten one mounting angel at the right and one at the left side of the swivel lift's foot using 2 screws and 2 nuts (M8, 20 mm long) for each side, fasten it in that way that the short side of the angle is backwards.
  2. Put the swivel lift in its final position. The place where it stands must be horizontal and level.
  3. Fasten the foot with 2 screws on the mounting angels of the swivel lift. Put the foot into a horizontal position by using the adjusting feet.
  4. Put the sun-bed onto the foot and fasten it with 2 screws (M8, 30 mm long) with washers.
  5. Put the attachment plug with seven poles of the swivel lift into the plug sleeve in the middle of the bed. Put the main-power cord into an orderly installed socket with protective plug reception.
  6. Put the swivel lift into a horizontal position by actuating the rocker switch on the bed.
  7. Screw the canopy with 3 screws (M8, 30 mm long) with washers to the swivel lift and then tighten the screws.
- Take care that the UVA face-tanner is on the right side. Put the leads of the canopy into the back of the bed.
8. The automatical security system, which opens the unit automatically in case of a power cut or a short-circuit, is now turned on.



Assembly of pedestal (foot) for:

- Lift-combination Profi
- Super Lift-shell Profi
- Super Lift-shell Profimax

### Automatic coin operation

All Profi units, except the Lift-canopy, are equipped for automatic coin operation or for central control as a standard option. For that reason there is a 5-pole plug socket at the bottom of the bed on the right side at the back. For connecting the Sunal coin boxes just plug out the plug and then put the plug of the coin box into the socket of the bed.

The integrated 60-minute timer then is automatically out of order.

If the unit is connected with another coin box, please note the following:

- a) Remove the bridge in the plug of the coin connection between terminal 1 and 3. (The integrated 60-minute timer is automatically out of order). The working voltage for the coin box can be taken from the bed. Connection at the terminal of the plug L-3; N; PE. Connect the control voltage switched from the coin box or (central control) on terminal 2.

If the working voltage of the coin box (central control) is not fed by the tanning unit, the connection must be effected by a potential free contact between terminal 3 and 2 of the plug.

### Operation of Stereo Cassete radio

The stereo cassette radio may only be used together with the headphones (impedance 4-8 ohms) in operation with the headphone plug at the bottom of the bed. The use of extra loudspeakers is not possible. At the back of the bed there is an antenna attachment sleeve.

To make a good reception possible, the right antenna connection for the local reception conditions is important.

Usually headphones as well as an antenna are attached to the units as free samples. As they do however not belong to our usual scope of delivery, you can't claim for delivery or guarantee.

Instead we would like to ask you, to supply yourself with headphones that meet your expectations and with the right antenna for your reception conditions.

The radio is switched off automatically when the ventilators are switched off or as far as the Lift-units are concerned, when the canopy is back in its starting position.

9. The unit must always be connected with the power system, because otherwise the storage battery for the security automatic gets empty or in other words isn't charged automatically.

### Operation of the Sunal Profi-Solariums

1. All units are switched on and off by the integrated timer. The required tanning time can be regulated by the timer. After expiration of the set in tanning period the sources of radiation are switched off automatically. The ventilators then continue to work for about 3 minutes. In case you want to interrupt the radiation before the tanning period is over, you can switch off the unit by turning the timer knob to the left (zero position).

2. Units with a UVA face tanner are provided with a 4-step function selection switch.

In this case the different sources of radiation can be switched on together or singly.

Zero position: The unit is switched off, even if the timer is switched on.

Position 1 : All sources of radiation are working.

Position 2 : The UVA face tanner is working.

Position 3 : The UV-fluorescent tubes are working.

Attention: The UVA face tanner ignites only 3 minutes after having been used.

3. The electrical swivel lift of all units is set in motion by the rocker switch. The swing up and down is limited by two micro switches in the swivel lift. If any changes are requested, there is the possibility of changing the maximal swing by turning the screw for setting the micro switch into operation into and out of the swivel lift. After expiration of the tanning period the swivel lift goes back automatically to its starting position.
4. In the Lift-shell "Profi" and "Profimax" a ventilator is integrated, which can be regulated in an infinitely variable way by a sliding regulator.
5. The ventilation lattices at the bottom of the bed must be cleaned regularly, so that a sufficient permeability to air is guaranteed.

If the unit can't be switched on although it has been assembled duly, please check:

- whether all plug connections are plugged in firmly
- whether you have the right mains voltage 220 V/60 Hz, 16 A
- whether the plug for the coin connection is plugged in firmly
- whether the function switch is not in a zero position.

If there are - contrary to expectations - any problems - please contact our Service Department:

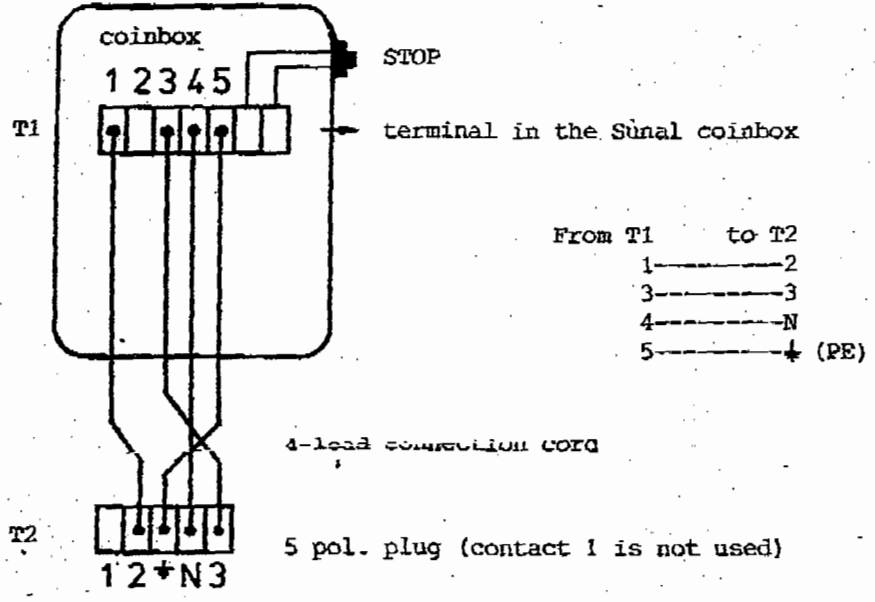
**SUNAL Incorporation**

9218 Royal Lane, Irving, Dallas, Tx. 75039  
Telephone 214-258-0033

Further details - as the installation of the tubes - you can learn from the instructions for use.

# SUNAL-Solarien

## COINBOX CONNECTIONS ON SUNAL SUNBEDS



The Sunal coinbox terminal contact 2 is not used!

**Time preset:** Your Sunal coinbox has a time preset for coinoperation. With the dual-in-line switch you can dial every minute step between 1 and 60 minutes. Every new inserted coin adds the time up!

**NOTICE:** The time memory is set for 60 minutes maximum.

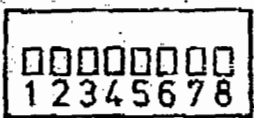
**Time-setting:**

switch (on)	1 = 1 min.
"	2 = 2 "
"	3 = 4 "
"	4 = 8 "
"	5 = 16 "
"	6 = 32 "

**Time-table:**

5 min.	=	switch 1 + 3
10 "	=	" 2 + 4
15 "	=	" 1 + 2 + 3 + 4
20 "	=	" 3 + 5
25 "	=	" 1 + 4 + 5
30 "	=	" 2 + 3 + 4 + 5
35 "	=	" 1 + 2 + 6
40 "	=	" 4 + 6
45 "	=	" 1 + 3 + 4 + 6
50 "	=	" 2 + 5 + 6
55 "	=	" 1 + 2 + 3 + 5 + 6
60 "	=	" 3 + 4 + 5 + 6

**Dual-in-line-switch**



17.9.84 /lex



## INSTALLATION AND OPERATING INSTRUCTIONS

### FOR THE LIFT-CANOPY PROF I

The Sun-Lift 80S/SS is a device with which your solarium can easily be raised or lowered. New raising techniques ensure a minimum noise level during operation and maximum operating safety.

To guarantee an exact working of the lift, please pay attention to the following:

Without further extension the distance from the ceiling to the below edge of the belts has a maximal length of about 6 ft and a minimal length of about 10 in.

The motor is switched off in the upper and lower limit positions by means of an adjustable limit stop. The adjustment was carried out by the producer and therefore may not be changed.

#### IMPORTANT !

Two belts are provided for additional safety. The automatic winding mechanism comes into operation after approx. 5 cm in case of a belt failure and serves to hold the unit in a safe position. Note in particular that the lifting device does not operate without load, i.e. without weight (tanning unit). Keep the support belts tight for the manual operation during the installation.

#### INSTALLATION

The installation should only be carried out by a specialist.

1. At first the unit must be screwed to the ceiling. In case of a concrete ceiling the 8 enclosed wood screws (6 x 45) with the 8 dowels have to be used. The holes for the dowels must therefore be bored 55 mm deep (note in particular that the minimal depth for putting in the dowels must be 40 mm). For wooden or timbered ceilings bolts have to be used to guarantee a secure suspension. The screws must not be put into cracks or knotholes. If the mains supply is located in the ceiling, the corresponding cable must be drawn through the cable entrance before the ceiling bar is screwed on. The ceiling bar must be installed in that way that it is exactly horizontal (spirit level). If this is not possible, the two guide bows-bent in form of a tub, must be adjusted to the right or to the left underneath the belt roll. The adjustment is right, if the belt is in the middle of the roll when being rolled up.
2. Connect the Sun-Lift 80 S with the mains.
3. Thread the 4 belts and the coil cable through the protective plastic cover of the canopy.
4. Install the belt holder at the back of the solarium according to the enclosed sketch. For that purpose the plastic caps of the belt holder must be pushed approx. 4 cm upwards. They need not be taken off completely. The chrome-plated guide bows in the belt mounting are held by the plastic caps.
5. The tanning unit can then be fitted to the motorlift in the following way:

Pull down the safety belts with a slow and even movement. Insert them through the slot in the belt holder and lock them from below by means of Z-shaped hooks.

The safety belts lock when being jerked to the bottom. The unit can thus be positioned at every desired installation height.

During assembly keep the carrying belt tight and lower the lift until the belts are unrolled enough.

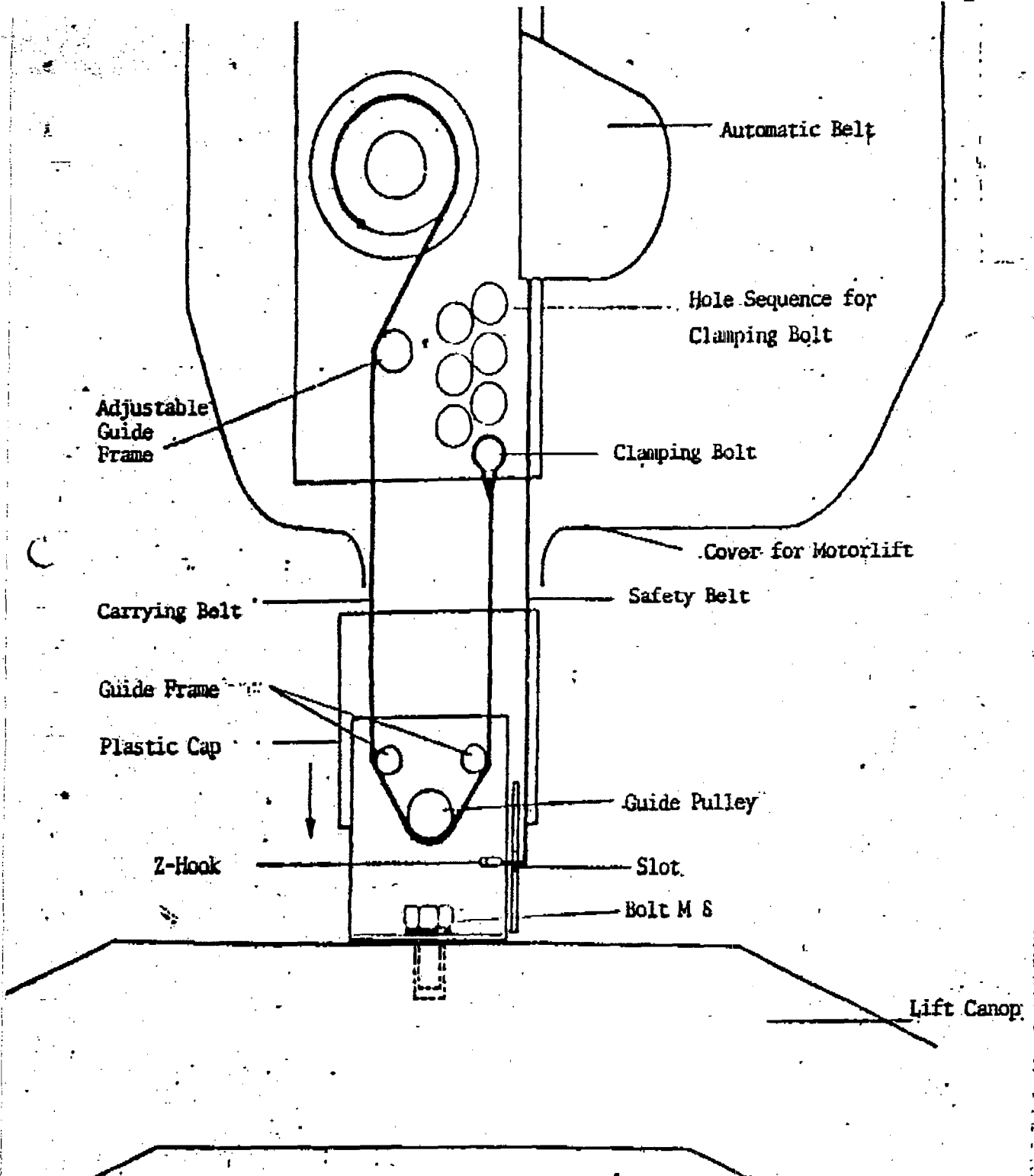
As shown in our sketch, the carrying belts must be pulled over the chrome-plated guide frames and the guide pulley. The clamping bolts are put in the ends of the carrying belts. Both clamping bolts are inserted in the hole sequences in such a way that the solarium is levelled.

To check the mechanism, raise the device until both safety belts become disengaged. Now slowly lower the tanning device by hand. The device should now hang on the support belts and the safety belts are relieved. Then push the cap of the belt holder up to the solarium.

6. - Connect the coil cable with the solarium.
7. - Raise the plastic hood of the canopy and fix it to the ceiling bar by means of the enclosed four oval head screws and rosettes.

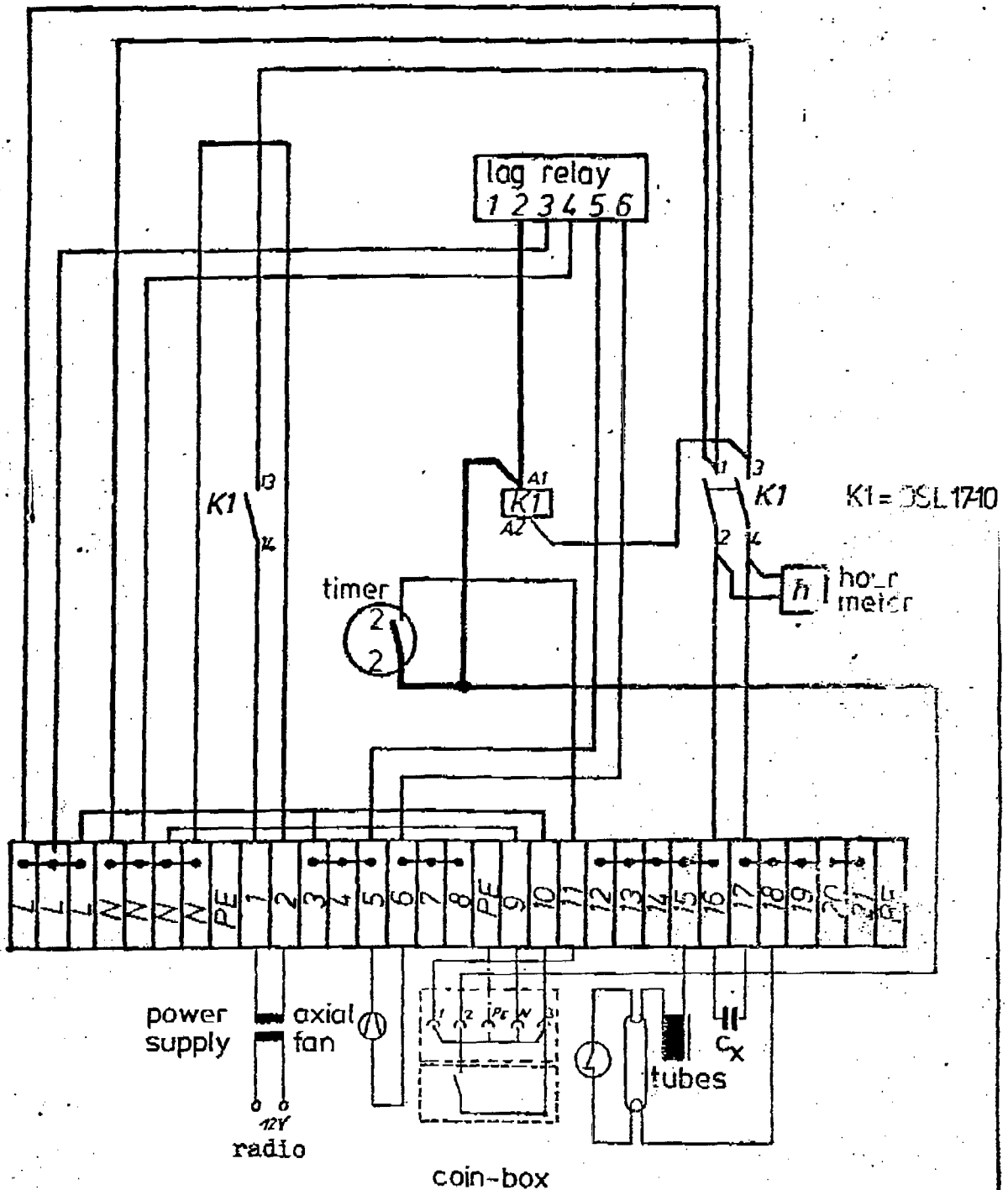
Care must be taken when installing the unit that all load-bearing screw connections are secured against becoming accidentally loosened (e. g. by means of self-locking nuts).

Disassembly in reverse order.



They must not be taken off completely. The crone-plating guide frames in the belt holder are kept by a plastic cap.

# Sun Bed Profi -USA-



if coin box is used  
remove bridge 1-3 !



SB Profi, 100 Watt, 220V/50Hz

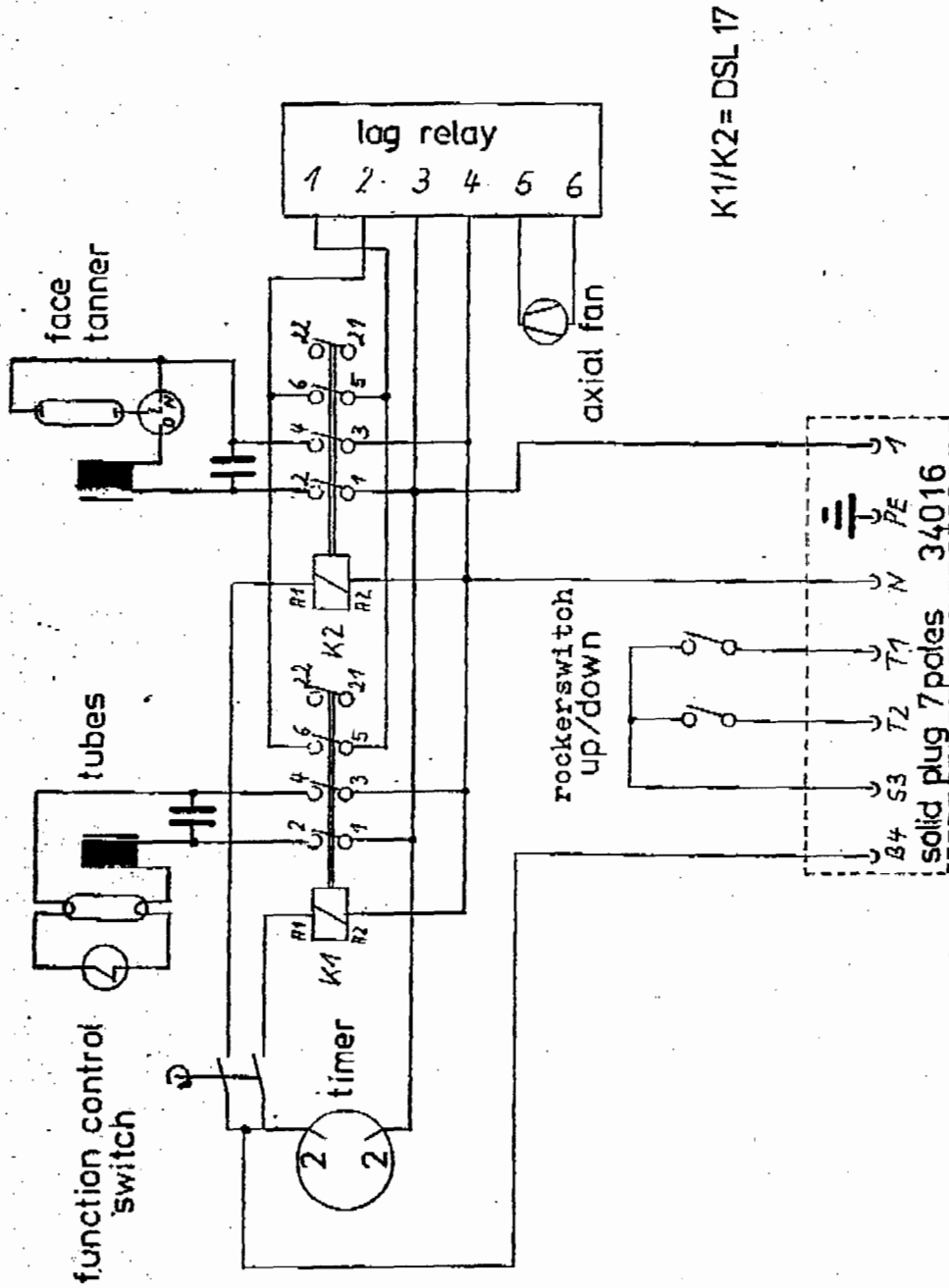
135-1-1.

-USA-

13.7.87

# Lift Top Deck Profi - USA -

(with face tanner)



K1/K2 = DSL 17



LTD Profi, 100 Watt, 220V/60Hz

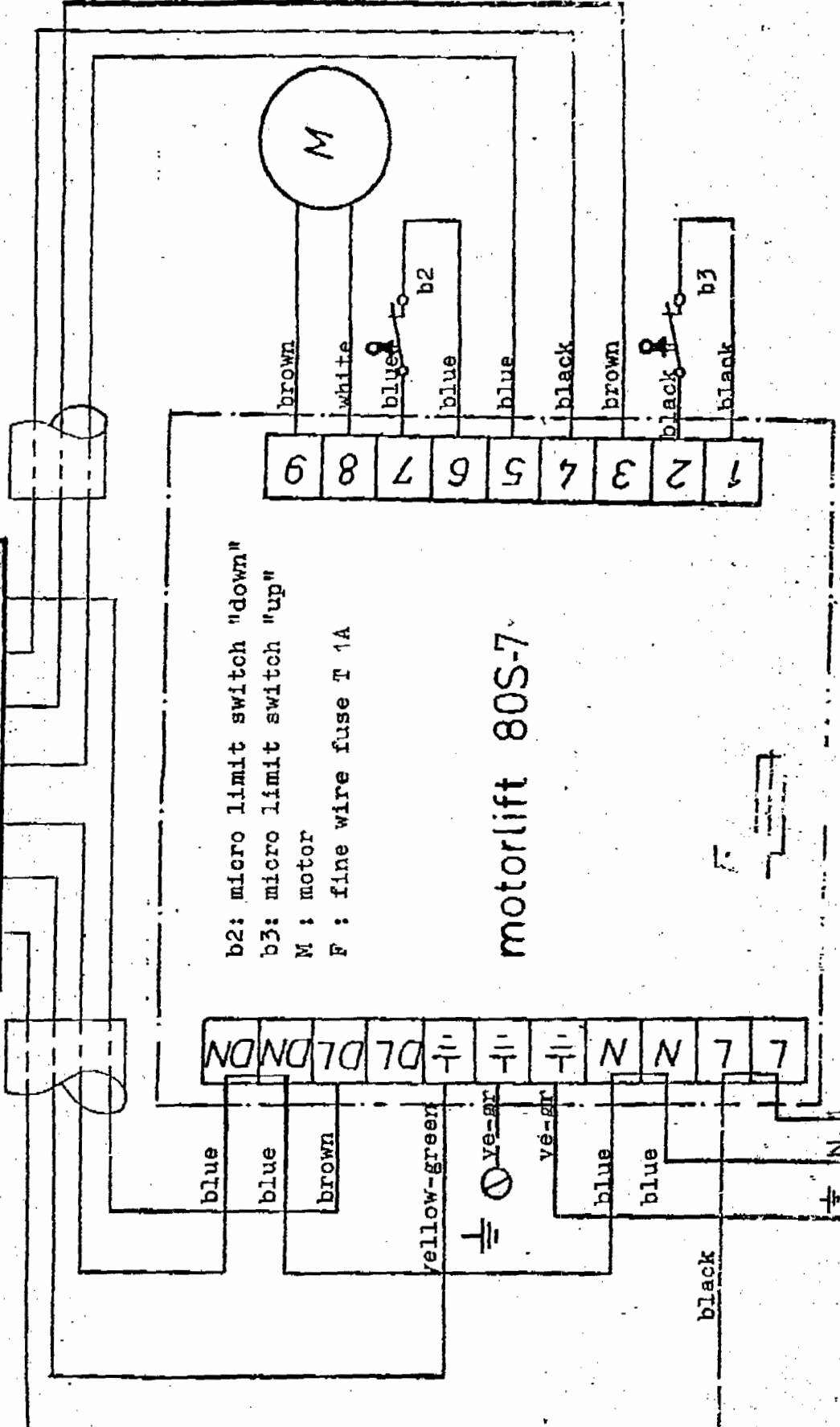
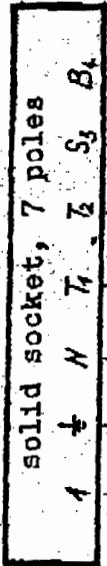
(with face tanner)

- USA -

135-3-1

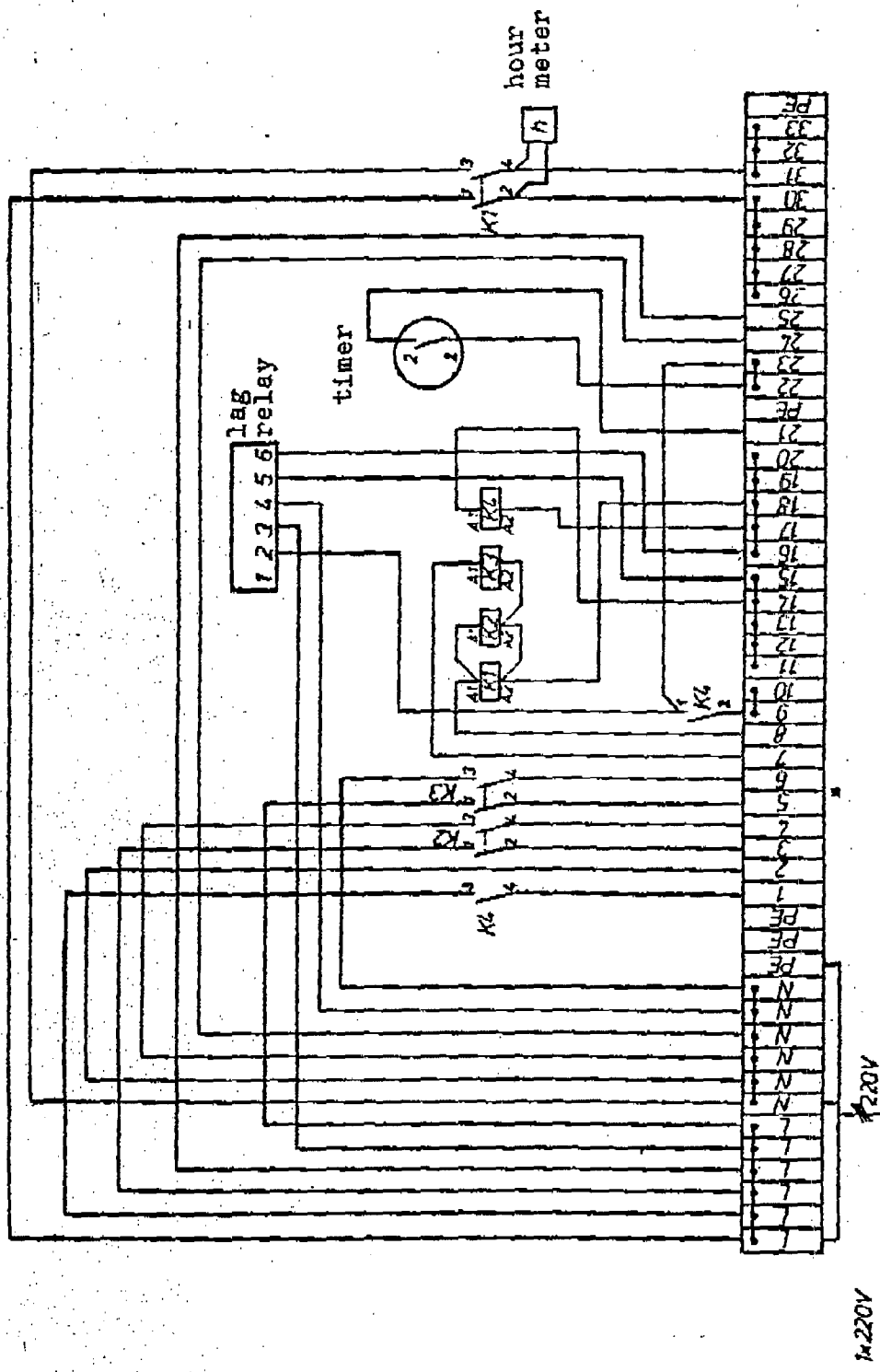
23.8.84  
Kee

to lift top deck



motorlift-sunlift 80S-7 automatic  
 B5.- No.: 9917  
 Sunal EDV 380:2

25 2 37



performance of contactors

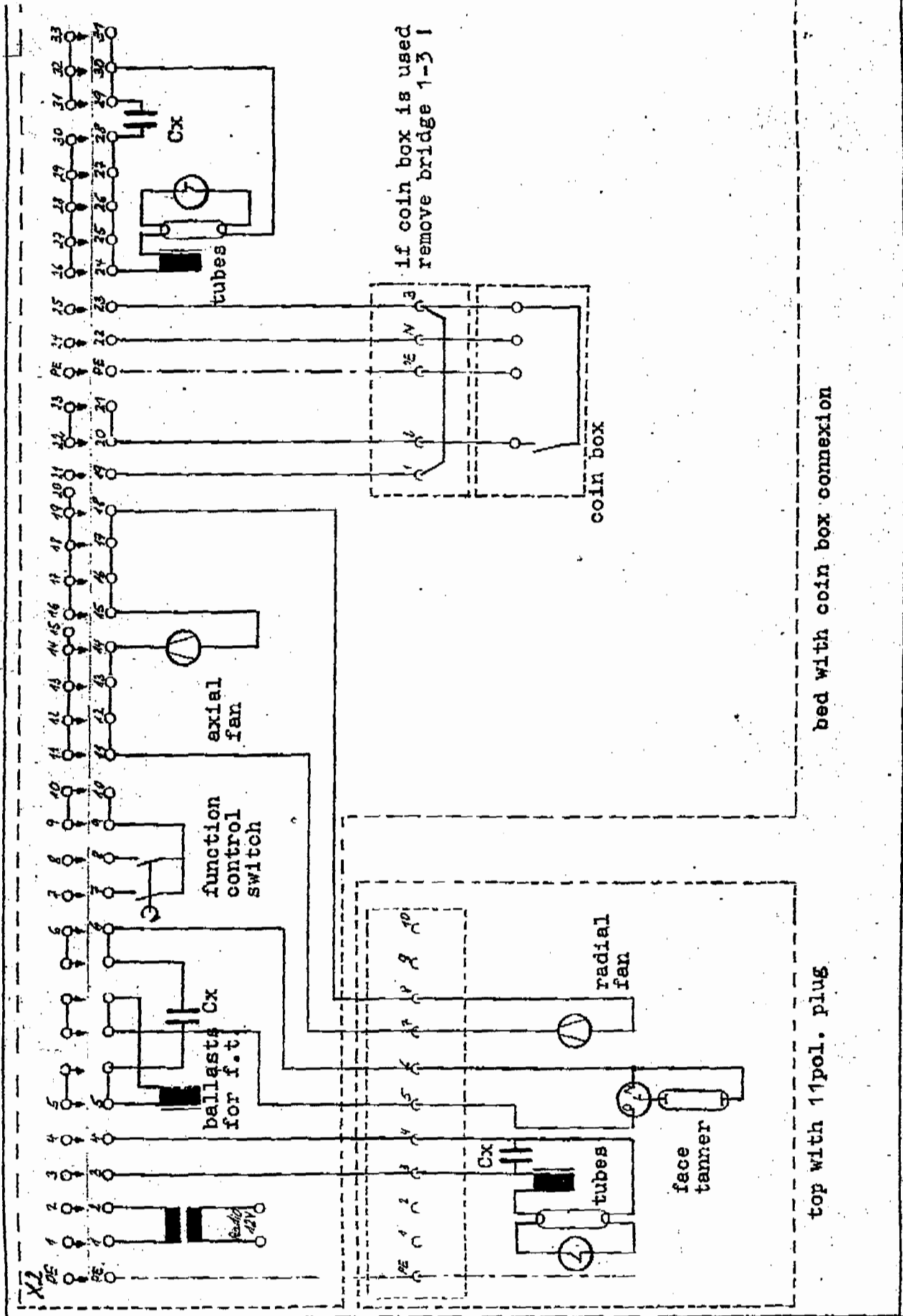
K1/K2 = DSL 17

K3/K4 = DSL 9

\* 4 terminals without markings are inserted between terminal 5/6 which serve as base for fixing the ballasts for the face tanner. Notice: the ballasts for the f.t. are in the bed.

Folding Combination with face tanner

- USA -



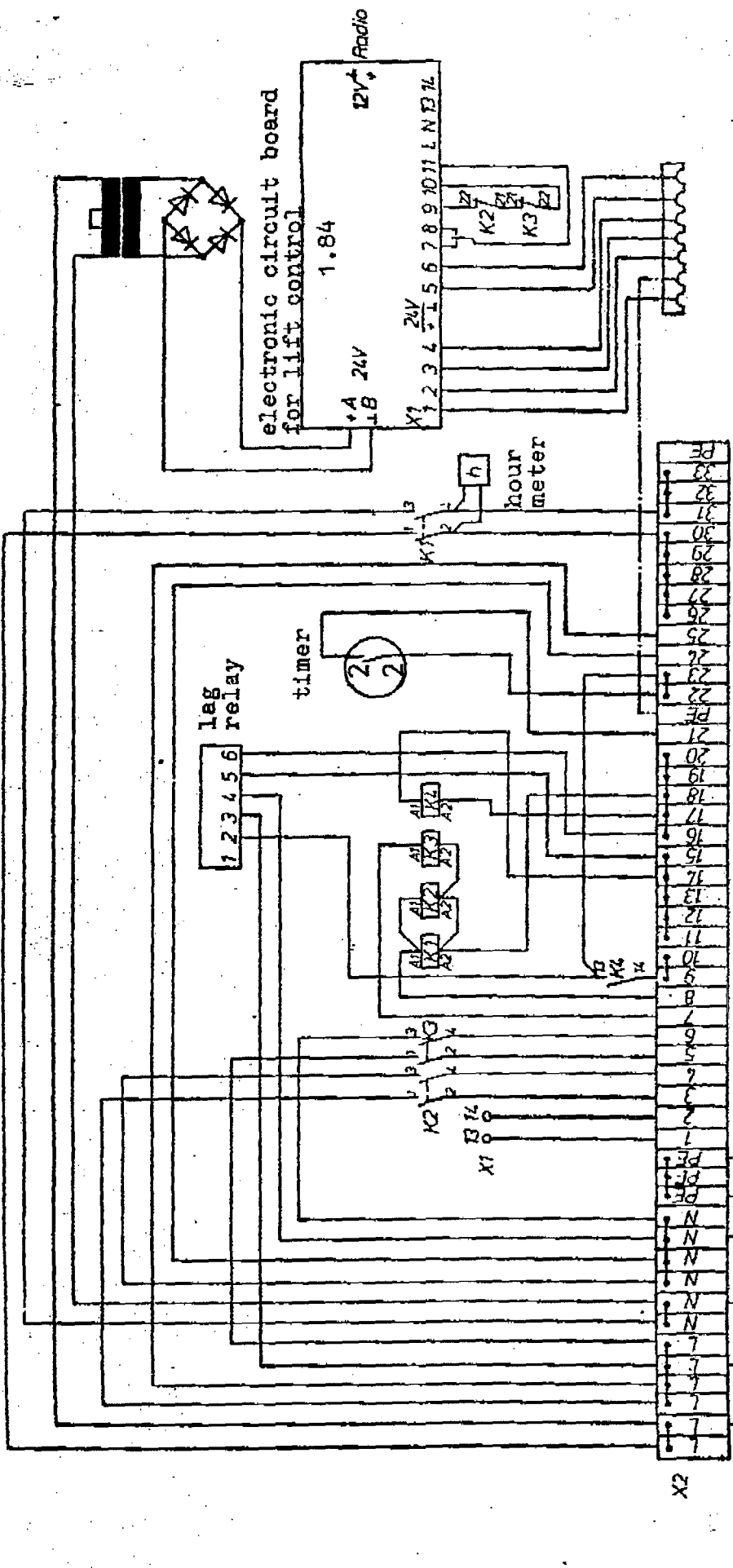
Folding Combination with f.t. 100 W, 220V/60Hz

135-5-1

-USA-

288.84  
lee





performance of connectors

- USA -

Lift Combination Profi } with face tanner  
 Super Shell Profi  
 Super Shell Profimax

X1/X2 = DSL17  
 X3 = DSL 9  
 X4 = DSL17  
 X5 = DSL 9  
 by supershell profi  
 add 4 terminal block no. 33

2x220V

220V

220V

X2

X1

Radio

electronic circuit board  
for lift control

1.84

hour  
meter

leg  
relay

timer

21  
22

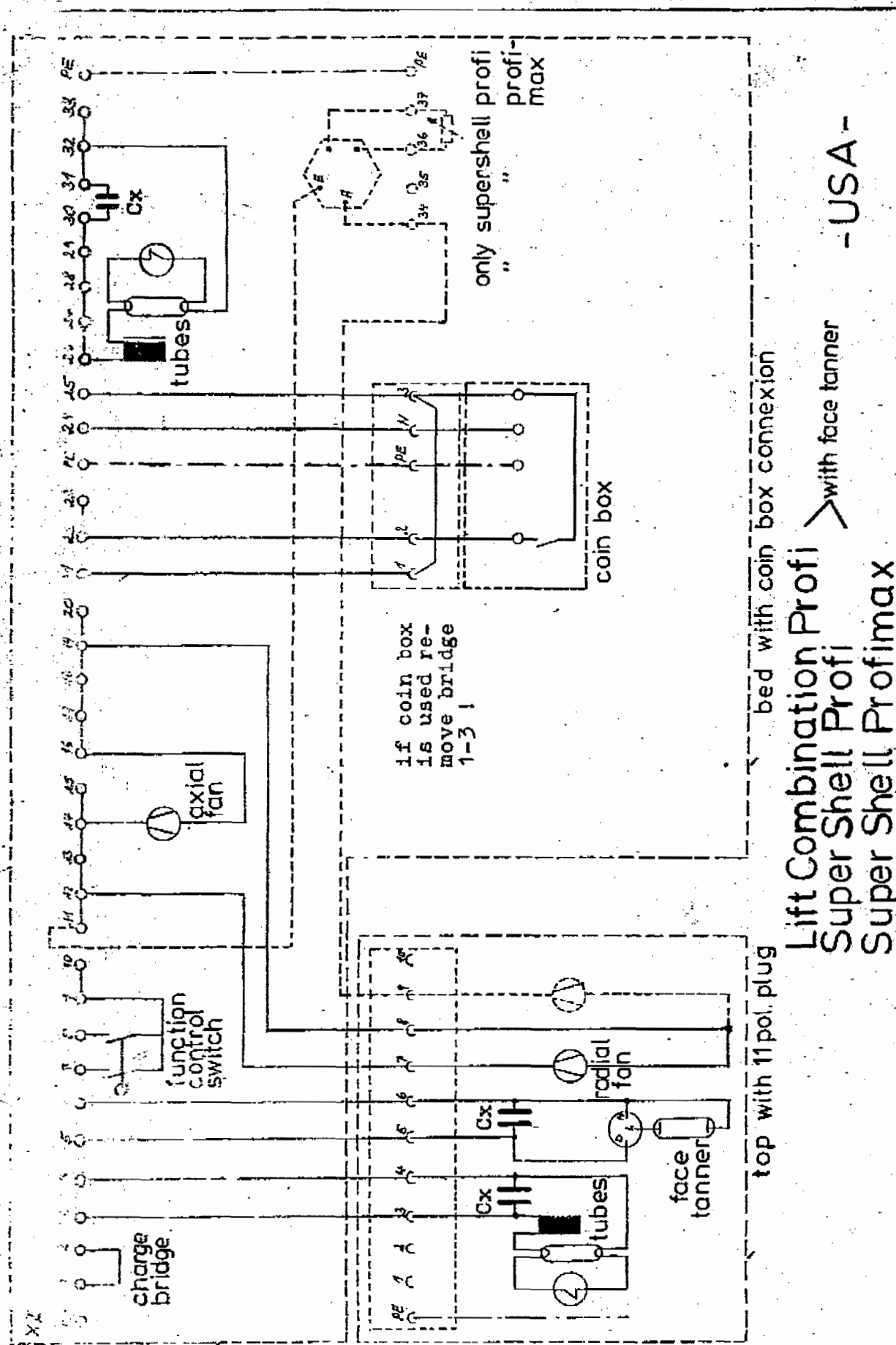
1 2 3 4 5 6

X1  
X2  
X3

K1  
K2  
K3

X1 2 3 4 5 6 7 8 9 10 11 12 13 14

32  
31  
30  
29  
28  
27  
26  
25  
24  
23  
22  
21  
20  
19  
18  
17  
16  
15  
14  
13  
12  
11  
10  
9  
8  
7  
6  
5  
4  
3  
2  
1  
PE  
PE  
PE  
N  
N  
N  
N  
N  
N  
N  
N  
N  
N  
PE  
PE



Lift Combination Profi  
 Super Shell Profi  
 Super Shell Profimax

-USA-



135-7-1  
 135-9-1  
 135-10-1

LCP >with ft.  
 SSP >100Watt, 2x220V/60Hz  
 SSPm

-USA-

24.8.84

Mei