

**OPERATING INSTRUCTIONS**

**SONNENBRAUNE WOLFF SYSTEM  
MODEL 516es**

**Equipped with Bellarium S SA1-71-100W  
or Bellarium Plus SA2-71-100W  
or Crystal Sun S DA1-763-100W lamps**

**DANGER:** ULTRAVIOLET RADIATION. FOLLOW INSTRUCTIONS. AVOID OVEREXPOSURE AS WITH NATURAL SUNLIGHT. OVEREXPOSURE CAN CAUSE EYE AND SKIN INJURY AND ALLERGIC REACTIONS. REPEATED EXPOSURE MAY CAUSE PREMATURE AGING OF THE SKIN AND SKIN CANCER.

**WEAR PROTECTIVE EYEWEAR; FAILURE TO MAY RESULT IN SEVERE BURNS OR LONG-TERM INJURY TO THE EYES.**

**CAUTION! EXPOSURE POSITIONS OTHER THAN SPECIFIED CAN BE HARMFUL AND ARE NOT RECOMMENDED.**

MEDICATIONS OR COSMETICS MAY INCREASE YOUR SENSITIVITY TO THE ULTRAVIOLET RADIATION. CONSULT PHYSICIAN BEFORE USING TONICAMP IF YOU ARE USING MEDICATIONS OR HAVE A HISTORY OF SKIN PROBLEMS OR BELIEVE YOURSELF ESPECIALLY SENSITIVE TO SUNLIGHT. IF YOU DO NOT TAN IN THE SUN, YOU ARE UNLIKELY TO TAN FROM THE USE OF THIS PRODUCT.

THIS DEVICE IS INTENDED TO BE USED BY ONE PERSON AT A TIME. YOU MAY USE DIRECTLY ON TANNING SURFACE.

THE MINIMUM EXPOSURE POSITION IS 0.5 IN. (1.27 CM) FROM THE LAMP'S SURFACE (PRESET BY THE MANUFACTURER). READ THE INSTRUCTION BOOKLET BEFORE USING THIS DEVICE.

SKIN TYPE	WEEK 1 SESSIONS 1-3	WEEK 2 SESSIONS 4-4	WEEK 3 SESSIONS 7-10	WEEK 4 SESSIONS 11-15	BI-WEEKLY MAINTENANCE SESSIONS
II FAIR	4 MIN.	8 MIN.	12 MIN.	16 MIN.	20 MIN.
III MEDIUM	4 MIN.	8 MIN.	12 MIN.	16 MIN.	20 MIN.
IV DARK	4 MIN.	12 MIN.	16 MIN.	20 MIN.	20 MIN.
V VERY DARK	4 MIN.	12 MIN.	16 MIN.	20 MIN.	20 MIN.

MAXIMUM USE TIME: 20 MINUTES.

IN MOST CASES, BURNING TANNING WILL APPEAR WITHIN SIX HOURS OF THE FIRST APPLICATION. PROVIDE YOUR SKIN IS CAPABLE OF DEVELOPING A TAN, A MOISTURIZER MAY BE USED AFTER EACH TANNING SESSION.

THIS SYSTEM IS INTENDED TO BE USED ONLY WITH THE WOLFF SYSTEM BELLARIUM S (SA1-71-100W) OR CRYSTAL SUN 9 (DA1-700-100W) OR BELLARIUM PLUS (SA2-71-100W)

FOR PARTS AND SERVICE CALL:

SonnenBraune, Inc.  
Ringgold, GA  
1-800-829-6533

THIS PRODUCT IS IN CONFORMITY WITH PERFORMANCE STANDARDS FOR SUNLAMP PRODUCTS UNDER NO. 21 CFR SUBCHAPTER J.

SKIN TYPE II - THIS IS THE INDIVIDUAL THAT USUALLY BURNS EASILY AND SEVERELY, TANS MINIMALLY OR LUCKILY AND FEELS  
SKIN TYPE III - OFTEN REFERRED TO AS "AVERAGE COMPLEXION," BURNS MODERATELY AND TANS ABOUT AVERAGE  
SKIN TYPE IV - THIS INDIVIDUAL BURNS MINIMALLY, TANS EASILY AND ABOVE AVERAGE  
SKIN TYPE V - THIS INDIVIDUAL'S SKIN RARELY BURNS, TANS EASILY AND SUBSTANTIALLY.

Model : 516es

Shown on this page is a reproduction of the label found on the sunbed or canopy near the timer or emergency termination switch. This label has important safety information relating to the proper operation of this suntanning equipment. Please take a minute and read through this information.

Dear customer:

We congratulate you on your purchase of a new SonnenBraune Wolff System sunbed. Thank you for your business.

Please read the instructions carefully before you use the unit for the first time.

Our sunbed units are manufactured combining the latest state of the art technology with the quality and reputation of the Original Wolff System. The exclusive Bellarium S or Crystal Sun S lamps are surrounded by a high performance special reflector of polished aluminum. This ensures an optimum utilization of each lamp. Each unit has been factory tested and is released only after a thorough final inspection, insuring that you receive the finest suntanning equipment available today.

SonnenBraune, Inc.  
6362 Battlefield Pkwy, Suite 7  
Ringgold, GA 30736

If any servicing or replacement parts are required, call your dealer or the SonnenBraune Customer Service Center.

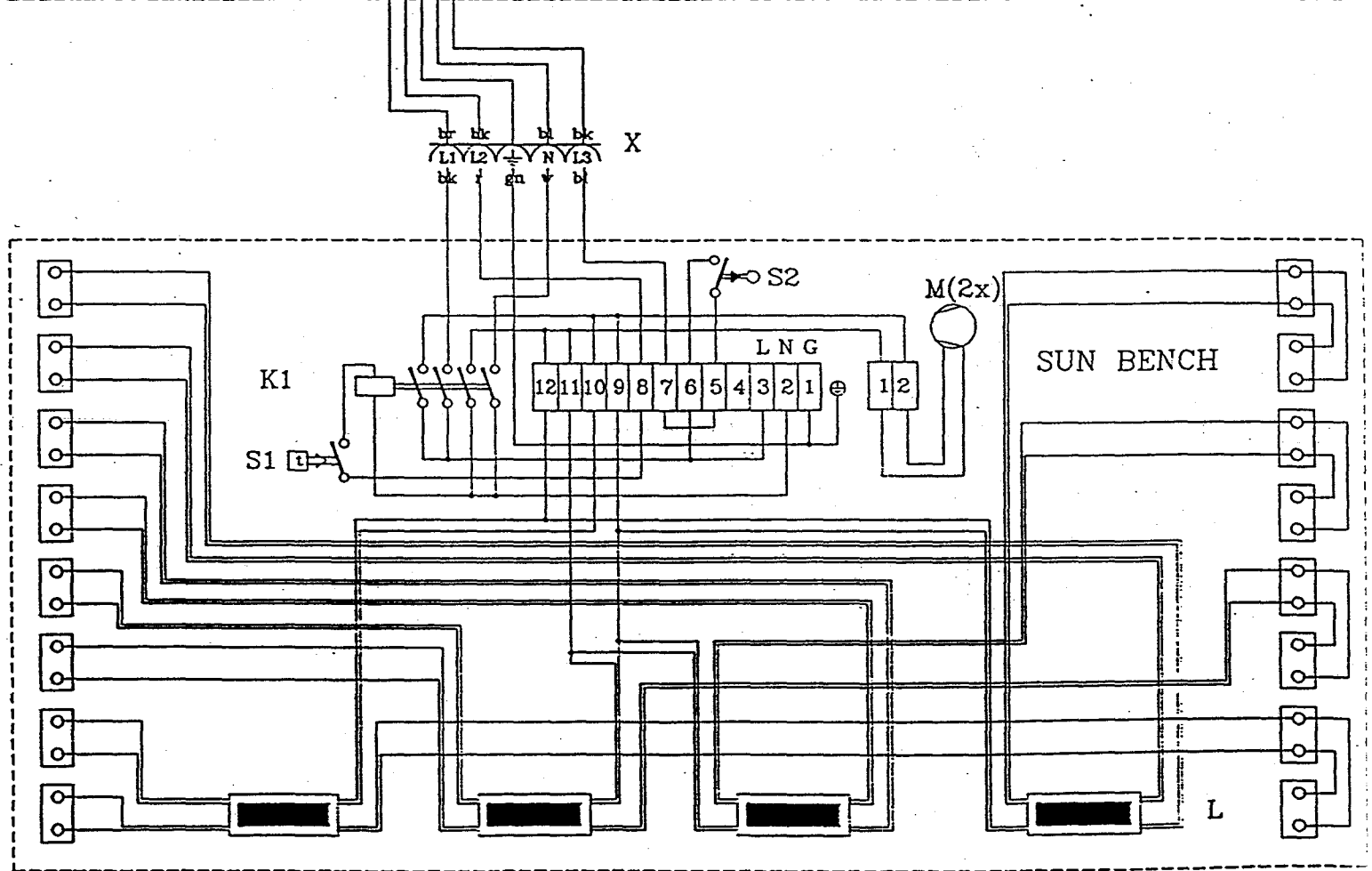
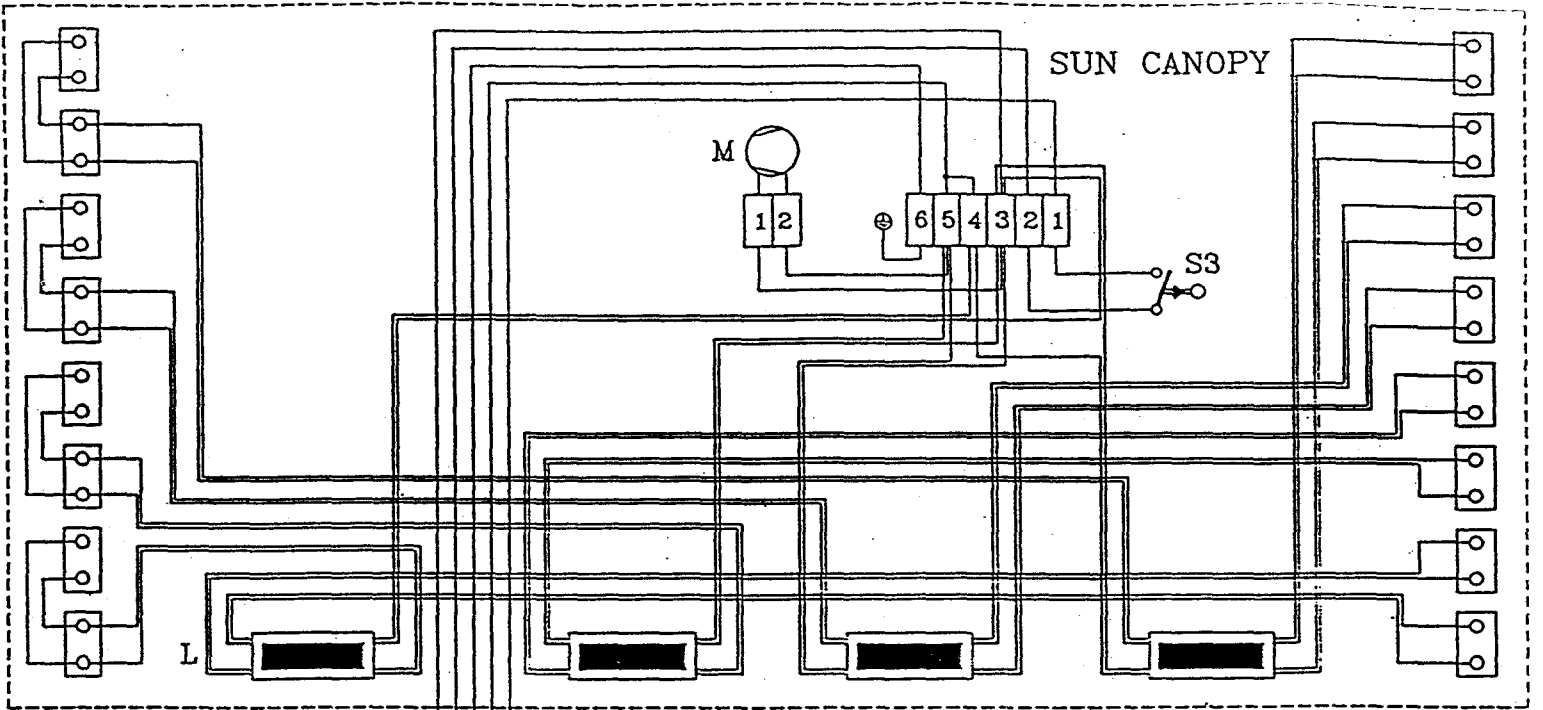
(800) 829-6533

TABLE OF CONTENTS	PAGE
USER NOTICE	2- 3
USER INSTRUCTIONS	8-9
EXPOSURE INSTRUCTIONS	2; 12
CARE & MAINTENANCE OF SUNBEDS	8
TROUBLESHOOTING	8-9
ASSEMBLY	10-11
OPERATION OF CLOCK TIMER	9
EXPOSURE TIME	2
WARRANTY	13
TECHNICAL DATA/SPARE PARTS	14

## INSTALLATION REQUIREMENTS

This unit plugs into a standard 120 volt wall outlet with 20 amp protection for branch circuit.

Complete wiring diagrams for the models are provided in the following page.



K1 = relay  
 L = ballast  
 M = fan(110V)  
 S1 = timer

8.2.95	Hagen	516es
V638a		

## **CARE AND MAINTENANCE**

The sunbeds do require some simple maintenance. Ensure that the special acrylic plate of the sunbed is always clean, otherwise its performance will be reduced. For cleaning, use a mild, non-abrasive domestic rinsing agent. If needed, clean the reflectors and the lamps with a soft rag. Do not use any alcohol or ammonia based cleaners or any coarse abrasive agents.

The acrylic plate is a special version with high UV transparency. If it must be replaced, do not use window glass or the usual plexiglass, because they would filter out the UV rays partly or fully.

## **REPLACEMENT OF LAMPS**

For replacement lamps, use only Wolff System Bellarium S SA1-71-100W, Bellarium Plus SA2-71-100W or Crystal Sun S DA1-763-100W.

**Note:** Disconnect power supply from unit before doing cleaning and maintenance work.

## **TROUBLESHOOTING**

If one or several lamps do not burn, check in the following sequence:

Are the lamps properly fitted?

Are they fully held by the lampholders?

If the lamp still does not light, try the following: Remove the defective lamp and replace it with one which you know operates. If the new lamp lights, it can be assumed that the lamp removed is defective. But if it does not, contact an electrician.

In case of problems and repairs, always use original Wolff system spare parts to insure that the performance of the unit has not changed.

**What can you do when:**

### **YOU ARE NOT SATISFIED WITH YOUR TAN:**

Review the exposure schedule on page 2. Check exposure position: the distance between the tanning surface and the body should be two to four inches. In no event should the exposure position be less than two inches between the body and the tanning surface.

However, you may lie directly on the tanning surface of the bench unit.

**THE SUNCEILING IS NOT WELL ALIGNED:**

You can align the sunceiling by the lateral adjustment of the guide blocks (Please refer to the chapter entitled "MOUNTING INSTRUCTIONS FOR SUNCEILING").

**THE SUNCEILING CANNOT BE LOWERED SUFFICIENTLY:**

Please refer to the chapter entitled "MOUNTING INSTRUCTIONS FOR SUNCEILING" if the sunceiling cannot be lowered sufficiently.

**OPERATION OF TIMER**

The model is equipped with a timer. Rotate the timer to the desired minute mark to activate the sunbed and start the tanning session.

The timer also serves as an emergency termination switch. To terminate emission of ultraviolet radiation, simply turn the timer dial to zero.

---

## Assembly Instruction 516es and 524es

After unpacking the bench (1), lay it on the ground that the lamps are shown below. Put the protective cardboard (2) between unit and legs. Now mount both legs (2) onto the bench and screw them with the attached 8 screws (6). Now turn the bench in that way that it can stand on the legs.

After that you have to mount the stand to the bench by using 2 hexagon screws (9). Before that please put on the lock washers (8). Before the hexagon screws will be tighten you have to mount the screws (7) on the bottom side of the bench. After that the end cap (10) could be fitted (picture 3).

Now you have to push the brakes (5) to the both pivot pins on the canopy. Please take care to the position shown in picture 2. Now put the canopy on the stand (19), at the same time please draw the stand easily to the outside as far as the centre-sleeve (11) has been locked in position to the pivot-pin of the canopy. Now the 2 safety screws (13) have to be screwed on both sides and then these screws have to be tighten so far that the washer (12) could be turned easy.

Now the end cap (14) could be pressed on. Now the brake (5) with countersunk-screw and washers (15 + 16) could be fixed on the stand (19).

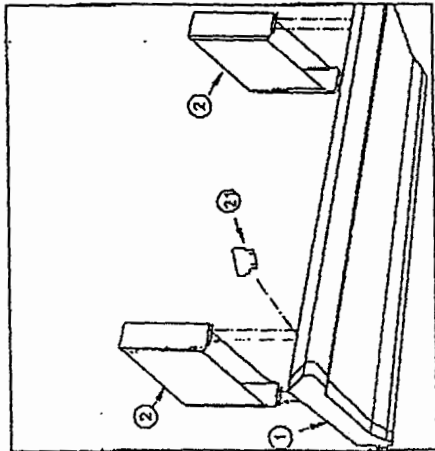
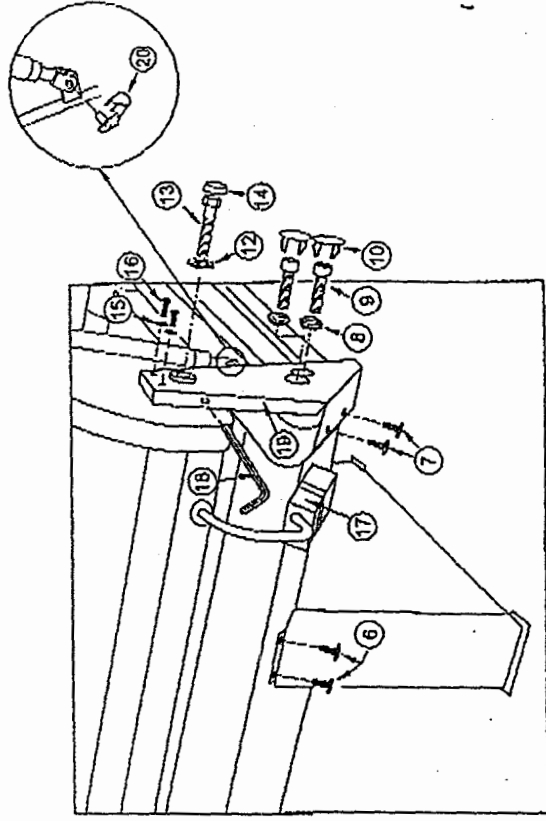
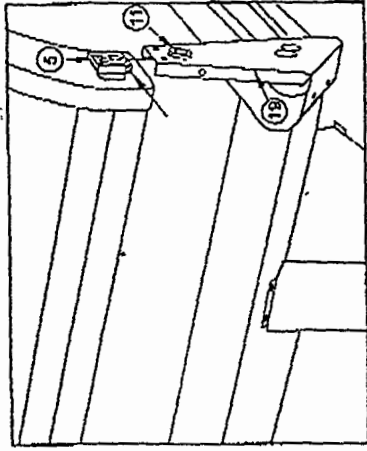
Screw the gas piston to the ball head. Now lift the canopy to the right height and fix the gas piston to the stand by using the safety bolts (20). Take care to the mounting position. Cylinder piston-rod with crown has to be shown below.

Now the plug for the electricity supply of the canopy (17) has to be connected. Now the brake could be fixed under cover in that way (18) that the canopy could be moved easily and is still continued in both extremely positions.

Now your tanning bed could be used!



Assembly Diagrams



## EXPOSURE TIME

The reaction of the human skin to natural sunlight depends on the skin type. This is also true with regard to tanning with UVA lamps. With this in mind, you must try and find the exposure time suitable for your skin type. Please put on the protective glasses before switching on the unit.

This tanning bed may be used by a maximum of one person at a time. Only one set of protective eyewear has been provided with this tanning bed. Users must wear protective eyewear when using this unit.

## FOLLOW THE EXPOSURE SCHEDULE ON PAGE 2.

The skin of the body may vary in thickness, accounting for a different light sensitivity in various parts of the body. The skin around the breast area is usually more sensitive than the skin of the other parts of the body to natural and UVA light exposure. This sensitivity is further enhanced because such skin will normally be covered with clothing and not exposed to natural sunlight. Caution must be exercised when exposing such extremities. Expose these sensitive areas in a series of short term exposures until the skin develops natural light protection (pigmentation), e.g. the overall exposure times should be reduced or such skin areas should be covered for about half of the preset exposure time.

After a series of 8 to 12 sessions, it will be sufficient to continue irradiations at cycles of 1 to 2 sessions per week. This way the tanning of the skin may be a long-lasting one.

If, in spite of all precautionary measures taken, the symptoms of a sunburn (reddening and a tense sensation of the skin some 3 to 4 hours after the exposure) should be noticed, the irradiation series should be interrupted for a minimum of one full day. The slightly inflamed skin possesses a strongly increased light sensitivity and continued exposure would only intensify these symptoms.

**Please note:** If you do not tan under the natural sun, you cannot tan with the SonnenBraune Wolff System sunbed.

**Note:** During the first 50 to 80 service hours the performance of the unit is about 20% above the normal performance. Therefore, you should reduce the durations specified in the table by about 20%.

Sun protection agents are not necessary while tanning when recommended tanning times are observed. It is advisable to use a moisture cream after exposure.

If you are sick or take medication, consult your doctor before exposure.

#### **COMMERCIAL WARRANTY AND LIMITATION OF LIABILITY**

SonnenBraune Wolff System suntanning units carry a warranty to the original purchaser for a period of thirty-six (36) months following purchase, for all parts, excluding lamps, pistons, acrylics and starters. SonnenBraune will provide free labor to fix or replace defective parts for a period of ninety (90) days following purchase.

Damage resulting from purchaser's negligence or use contrary to published instructions is specifically excluded from warranty coverage. Purchaser must place equipment in an area which conforms to SonnenBraune publish space, electrical and environmental requirements, and the equipment must not be altered or serviced by anyone other than SonnenBraune or other authorized service representative.

**SONNENBRAUNE SHALL IN NO EVENT BE LIABLE FOR ANY DAMAGE DIRECT, INDIRECT, OR CONSEQUENTIAL INCLUDING ANY ECONOMICAL LOSS, LOSS OF PROPERTY, LOSS OF REVENUES OR PROFITS OR COSTS OF REMOVAL AND INSTALLATION BEYOND THE TERMS OF THIS WARRANTY. IN ANY AND ALL CASES ANY LIABILITY OF SONNENBRAUNE SHALL BE CONFINED TO THE REPLACEMENT OF DEFECTIVE AND NONCONFORMING PARTS OR LAMPS.**

**THIS WARRANTY IS IN LIEU OF ALL WARRANTIES EXPRESSED OR IMPLIED, AND NO REPRESENTATIVE OR PERSON IS AUTHORIZED TO ASSUME FOR SONNENBRAUNE ANY OTHER LIABILITY IN CONNECTION WITH THE SALE, INSTALLATION, OR SERVICE OF OUR PRODUCTS.**

For more detailed information on the limited warranty covering your new SonnenBraune Wolff System tanning bed, please refer to the warranty card enclosed herewith.

SonnenBraune, Inc.  
6362 Battlefield Pkwy, Suite 7  
Ringgold, GA 30736

If any servicing or replacement parts are required, call your dealer or the SonnenBraune Customer Service Center.

(800) 829-6533

#### **CERTIFICATION**

SonnenBraune Wolff System suntanning equipment complies with Sunlamp Product Performance Standard 21 CFR Subchapter J.

---

**TECHNICAL DATA****516es**

---

Bellarium S, Bellarium Plus  
or Crystal Sun S Lamps 16

---

Fans 2 Bench  
1 Canopy

---

Hourmeter 9999 hrs.

---

Timer 20 min.

---

Total wattage 2,100 W

---

Circuit Breaker size  
120 VAC 20 amp.

---

Weight 250 lbs.

---

Length 82"

---

Width 33"

---

Height 49"

---

Gas spring 410 N

---