

OPERATING INSTRUCTIONS

**SONNENBRAUNE WOLFF SYSTEM
MODEL 524**

**equipped with Wolff System Bellarium Plus SA2-10-100W
OR
Wolff System Bellarium S SA1-10-100W lamps**

DANGER: ULTRAVIOLET RADIATION, FOLLOW INSTRUCTIONS, AVOID OVEREXPOSURE, AS WITH NATURAL SUNLIGHT, OVEREXPOSURE CAN CAUSE EYE AND SKIN INJURY AND ALLERGIC REACTIONS. REPEATED EXPOSURE MAY CAUSE PREMATURE AGING OF THE SKIN AND SKIN CANCER.

WEAR PROTECTIVE EYEWEAR; FAILURE TO MAY RESULT IN SEVERE BURNS OR LONG-TERM INJURY TO THE EYES.

CAUTION! EXPOSURE POSITIONS OTHER THAN SPECIFIED CAN BE HARMFUL AND ARE NOT RECOMMENDED.

SKIN TYPE	RECOMMENDED EXPOSURE SCHEDULE:				
	WEEK 1 SESSIONS 1-3	WEEK 2 SESSIONS 4-6	WEEK 3 SESSIONS 7-10	WEEK 4 SESSIONS 11-15	BI-WEEKLY MAINTENANCE SESSIONS
II FAIR	4 MIN.	8 MIN.	12 MIN.	16 MIN.	20 MIN.
III MEDIUM	4 MIN.	8 MIN.	12 MIN.	16 MIN.	20 MIN.
IV DARK	4 MIN.	12 MIN.	16 MIN.	20 MIN.	20 MIN.
V VERY DARK	4 MIN.	12 MIN.	16 MIN.	20 MIN.	20 MIN.

MAXIMUM USE TIME: 20 MINUTES.

IN MOST CASES, SLIGHT TANNING WILL APPEAR WITHIN SIX HOURS OF THE FIRST APPLICATION. PROVIDE YOUR SKIN IS CAPABLE OF DEVELOPING A TAN, A MOISTURIZER MAY BE USED AFTER EACH TANNING SESSION.

THIS SYSTEM IS INTENDED TO BE USED ONLY WITH THE WOLFF SYSTEM BELLARIUM PLUS (SA2-10-100W) OR BELLARIUM S (SA1-10-100W).

FOR PARTS AND SERVICE CALL:

SonnenBrilune, Inc.
Redmond, WA
1-800-829-6533

THIS PRODUCT IS IN CONFORMITY WITH PERFORMANCE STANDARDS FOR SUNLAMP PRODUCTS UNDER NO. 21 CFR SUBCHAPTER J.

MEDICATIONS OR COSMETICS MAY INCREASE YOUR SENSITIVITY TO THE ULTRAVIOLET RADIATION. CONSULT PHYSICIAN BEFORE USING SUNLAMP IF YOU ARE USING MEDICATIONS OR HAVE A HISTORY OF SKIN PROBLEMS OR BELIEVE YOURSELF ESPECIALLY SENSITIVE TO SUNLIGHT. IF YOU DO NOT TAN IN THE SUN, YOU ARE UNLIKELY TO TAN FROM THE USE OF THIS PRODUCT.

THIS DEVICE IS INTENDED TO BE USED BY ONE PERSON AT A TIME. YOU MAY LIE DIRECTLY ON TANNING SURFACE.

THE MINIMUM EXPOSURE POSITION IS 0.5 IN. (1.27 CM) FROM THE LAMP'S SURFACE (PRESET BY THE MANUFACTURER). READ THE INSTRUCTION BOOKLET BEFORE USING THIS DEVICE.

SKIN TYPE II - THIS IS THE INDIVIDUAL THAT USUALLY BURNS EASILY AND SEVERELY, TANS MINIMALLY OR LIGHTLY AND PEELS.
SKIN TYPE III - OFTEN REFERRED TO AS "AVERAGE" COMPLEXION, BURNS MODERATELY AND TANS ABOUT AVERAGE.
SKIN TYPE IV - THIS INDIVIDUAL BURNS MINIMALLY, TANS EASILY AND ABOVE AVERAGE.
SKIN TYPE V - THIS INDIVIDUAL'S SKIN RARELY BURNS, TANS EASILY AND SUBSTANTIALLY.

Shown on this page is a reproduction of the label found on the sunbed or canopy near the timer or emergency termination switch. This label has important safety information relating to the proper operation of this suntanning equipment. Please take a minute and read through this information.

Models:

833
730
728
628
524

Dear customer:

We congratulate you on your purchase of a new SonnenBraune Wolff System sunbed. Thank you for your business.

Please read the instructions carefully before you use the unit for the first time.

Our sunbed units are manufactured combining the latest state of the art technology with the quality and reputation of the Original Wolff System. The exclusive Bellarium Plus and Bellarium S lamps are surrounded by a high performance special reflector of polished aluminum. This ensures an optimum utilization of each lamp. Each unit has been factory tested and is released only after a thorough final inspection, insuring that you receive the finest suntanning equipment available today.

SonnenBraune Wolff System
8635 154th Avenue Northeast
Redmond, Washington 98052

(800) 829-6533

If any servicing or replacement parts are required, call your dealer or the SonnenBraune Customer Service Center.

(800) 829-6533

TABLE OF CONTENTS	PAGE
USER NOTICE	2
USER INSTRUCTIONS	7-13
EXPOSURE INSTRUCTIONS	2; 12-13
CARE & MAINTENANCE OF SUNBEDS	7
TROUBLESHOOTING	7-8
ASSEMBLY OF 524	9-11
OPERATION OF TIMER	8
EXPOSURE TIME	2
WARRANTY	13
TECHNICAL DATA/SPARE PARTS	14

INSTALLATION REQUIREMENTS

This unit must be operated at 240 VAC 60 Hz (single phase). A qualified electrician must be used to equip the unit for either voltage and properly connect this appliance to your electrical supply.

Each sunbed is internally wired to accept 2 hot "legs," one neutral and one ground. The neutral is required since the 240 VAC supplied is split between the sunbed and the sunceiling, resulting in 120 VAC to the internal components of the unit.

SERVICE ENTRANCE POWER	POWER REQ'D AT EACH BED	PROTECTION FOR BRANCH CIRCUIT	# WIRES FROM SERVICE ENTRANCE TO SUNBED	WIRE SIZE AND PHASE USED
240 VAC 60 Hz SINGLE PHASE	240 VAC	20 AMP	2 HOT (BLK OR RED) 1 NEUTRAL (WHITE) 1 GROUND (GREEN)	NO. 12 AWG (SINGLE PHASE)

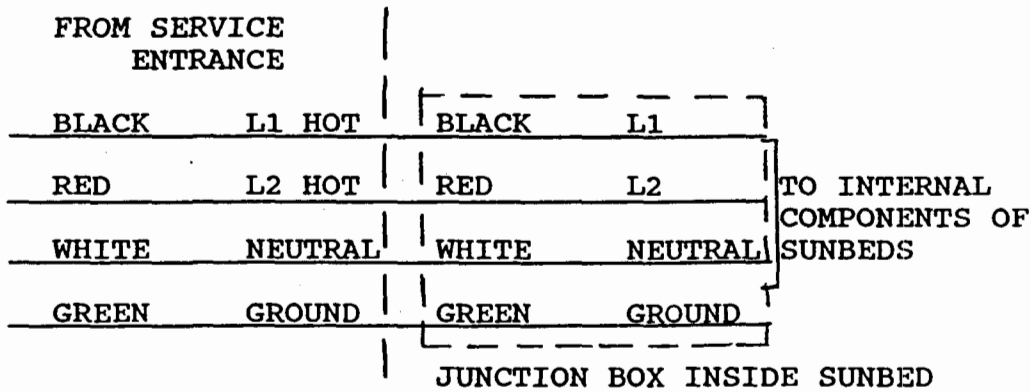
Your SonnenBraune Wolff System must run on exactly 230 to 240 volts. You should not run your bed on voltage outside of this range because you will damage the bed and void your warranty. Please give this information to your electrician and have him take a digital voltage reading on your outlet to determine your exact line voltage. If your voltage is above or below 230-240 volts, you need to purchase a "buck booster" transformer. These are available from SonnenBraune. The transformer will regulate your voltage to the correct level. This is very important to ensure that your bed will operate properly.

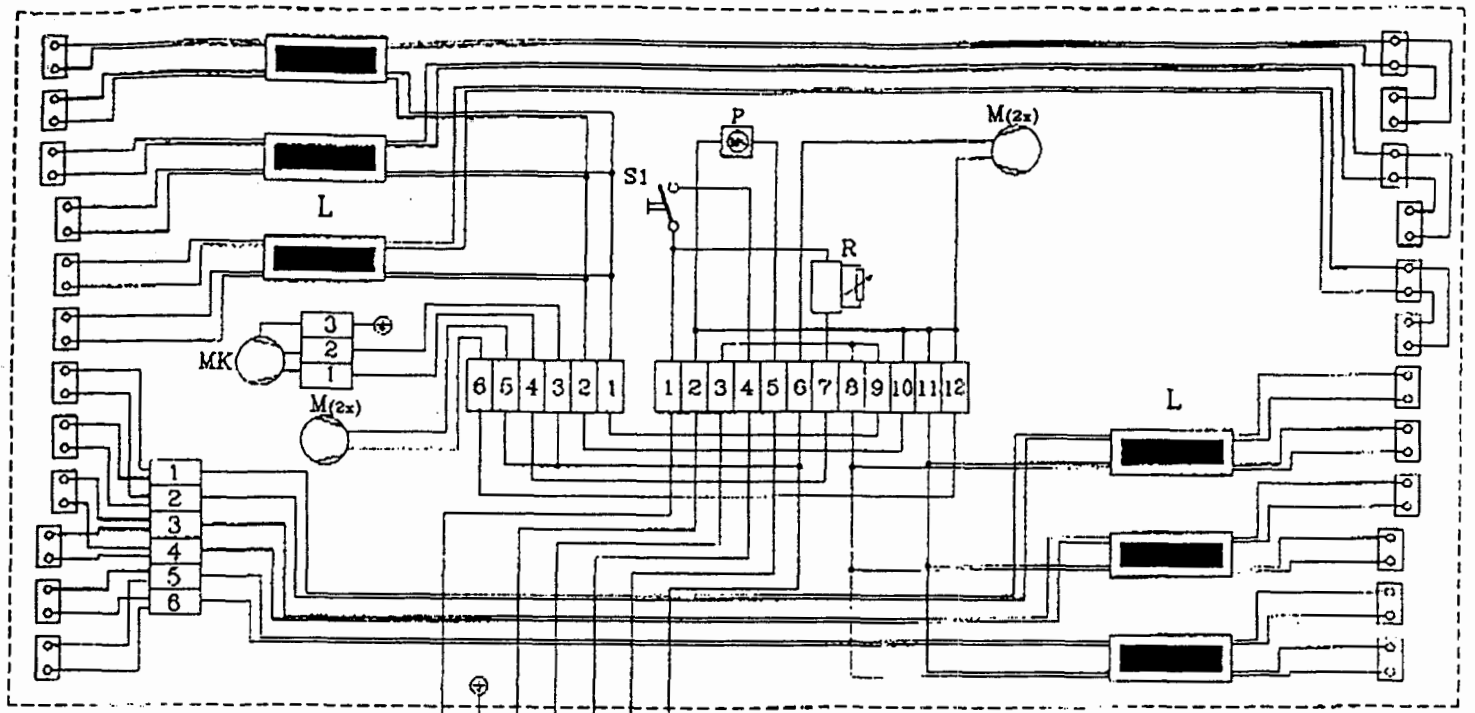
**CONNECTING DIAGRAMS FOR POWER INTO SUNBED MODELS:
833/1, 833, 730/1, 730, 728, 628, 524, 524e/1 and 524e**

240 VAC 60 Hz SINGLE PHASE WITH NEUTRAL
30 AMP CIRCUIT AND #10 AWG WIRE REQUIRED FOR MODELS 833/1, 833,
730/1 AND 730
20 AMP CIRCUIT AND #12 AWG WIRE REQUIRED FOR MODELS 728, 628,
524, 524e/1 AND 524e

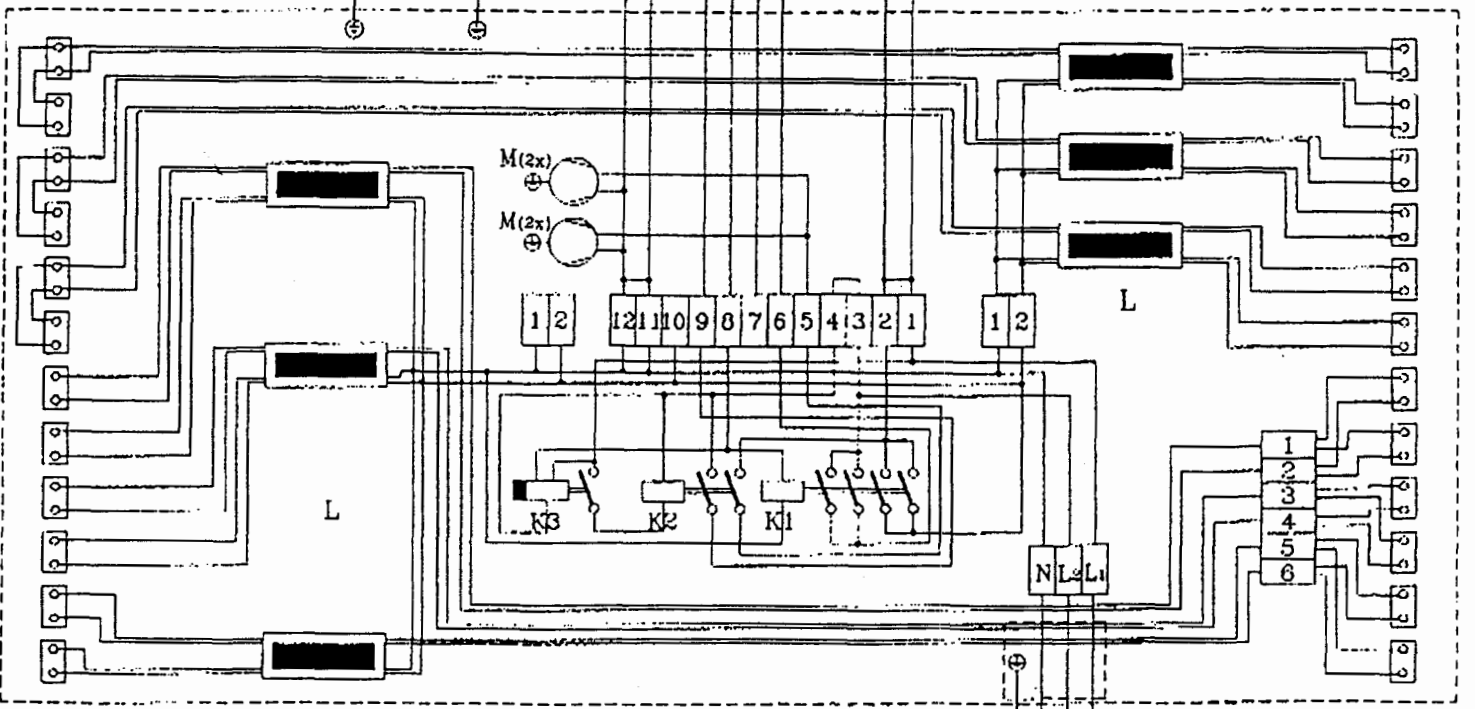
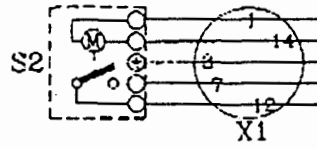
POWER CONSUMPTION:

Model 833/1	5,036 Watts
Model 833	4,338 Watts
Model 730/1	5,018 Watts
Model 730	3,916 Watts
Model 728	3,645 Watts
Model 628	3,225 Watts
Model 524	3,145 Watts
Model 524e/1	3,508 Watts
Model 524e	3,110 Watts





1 2 3 4 5 6 X
 /L1/ + /N/ T1/ T2/ S3/ B4/



G N Lz L1

- K1 = mainrelay
- K2 = relay for fan
- K3 = relay for fantime
- L = ballast
- M = fan
- MK = bodyfan
- P = hourmeter
- R = regulator for bodyfan
- S1 = switch for unit "ON-OFF"
- S2 = tokentimer

25.11.93	Hagen	SUN BENCH 6
V599		
524-seriesII		

CARE AND MAINTENANCE

The sunbeds do require some simple maintenance. Ensure that the special acrylic plate of the sunbed is always clean, otherwise its performance will be reduced. For cleaning, use a mild, non-abrasive domestic rinsing agent. If needed, clean the reflectors and the lamps with a soft rag. Do not use any alcohol or ammonia based cleaners or any coarse abrasive agents.

The acrylic plate is a special version with high UV transparency. If it must be replaced, do not use window glass or the usual plexiglass, because they would filter out the UV rays partly or fully.

REPLACEMENT OF LAMPS

For replacement lamps, use only Wolff System Bellarium Plus SA2-10-100W or Bellarium S SA1-10-100W.

Note: Disconnect power supply from unit before doing cleaning and maintenance work.

TROUBLESHOOTING

If one or several lamps do not burn, check in the following sequence:

Are the lamps properly fitted?

Are they fully held by the lampholders?

If the lamp still does not light, try the following: Remove the defective lamp and replace it with one which you know operates. If the new lamp lights, it can be assumed that the lamp removed is defective. But if it does not, contact an electrician.

In case of problems and repairs, always use original Wolff system spare parts to insure that the performance of the unit has not changed.

What can you do when:

YOU ARE NOT SATISFIED WITH YOUR TAN:

Review the exposure schedule on page 2. Check exposure position: the distance between the tanning surface and the body should be two to four inches. In no event should the exposure position be less than two inches between the body and the tanning surface.

However, you may lie directly on the tanning surface of the bench unit.

THE SUNCEILING IS NOT WELL ALIGNED:

You can align the sunceiling by the lateral adjustment of the guide blocks (Please refer to the chapter entitled "MOUNTING INSTRUCTIONS FOR SUNCEILING").

THE SUNCEILING CANNOT BE LOWERED SUFFICIENTLY:

Please refer to the chapter entitled "MOUNTING INSTRUCTIONS FOR SUNCEILING" if the sunceiling cannot be lowered sufficiently.

OPERATION OF TIMER

The model is equipped with a timer. Rotate the timer to the desired minute mark to activate the sunbed and start the tanning session.

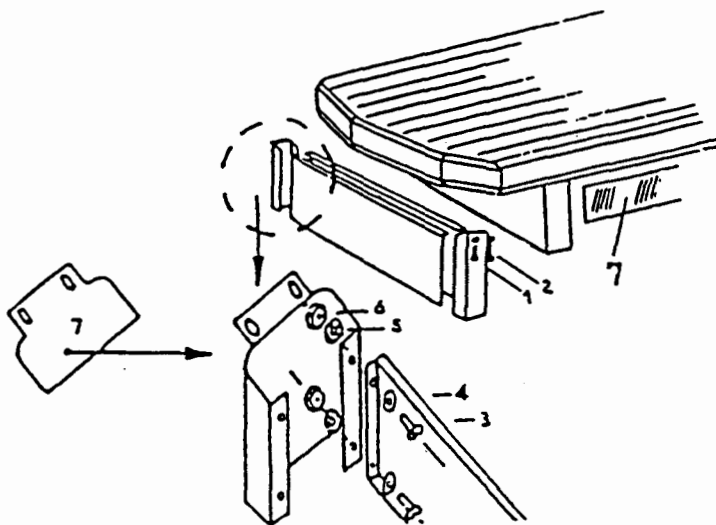
The timer also serves as an emergency termination switch. To terminate emission of ultraviolet radiation, simply turn the timer dial to zero.

The unit is also equipped with an start/stop switch at the head end of the canopy. This switch must be activated in order to turn the tanning bed on, and also serves as an emergency termination switch. To terminate a tanning session, simply push the switch into the "off" position.

ASSEMBLY INSTRUCTIONS 524

Assembly of the 524 sun bench

Prior to first use of your new tanning bed, screw the legs to the bench as shown below and remove the protective plastic sheet from the surface of the acrylic.



- Pos.
- 1 (8 pcs.) lamination screw 4,2x13 DIN 7971
 - 2 (8 pcs.) U-disc 3 mm \varnothing DIN 125 + fan discs
 - 3 (20 pcs.) cylinder head screw M 5 x12 DIN 84
 - 5 (20 pcs.) U-disc 5 mm \varnothing DIN 125
 - 6 (20 pcs.) hexagon nut M 5
 - 7 (1 Pc.) cover sheet

MOUNTING INSTRUCTION

First screw the two brakes (4) with screwed internal hexagon screws (5) and U-discs (6) with countersunk screws (7) to the arms (2) (Figure 1).

Then screw the arms (2) with enclosed large U-disc (1) and hexagon screws (3) to the bench unit (Figure 2).

Tighten the screw of the gas pistons (9) to the ball head on the front sides of the tanning canopy (Figure 3).

Next, place the tanning canopy with the mounted rotary parts to the arms and fix with hexagon screws (10) and U-disc (11). Then screw the arms to the bench unit (Figure 3).

Please raise the tanning canopy far enough so the hybrid ends of the gas pistons can be fixed easily on the bearing bolts of the arm. Then clamp the safety bolts to the gas piston. Press the cover caps (8) on the screw heads no. 3 and no. 10. If the gas pistons do not provide enough support to stabilize the tanning canopy, tighten the internal hexagon screws (5) with the key enclosed.

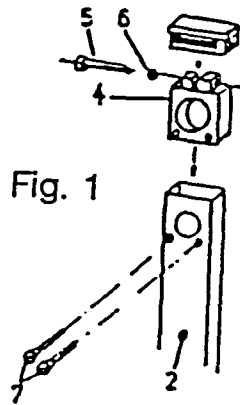


Fig. 1

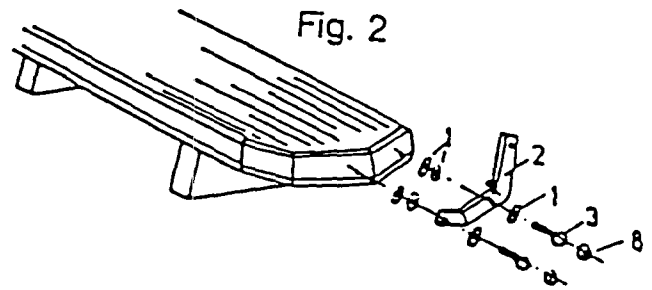


Fig. 2

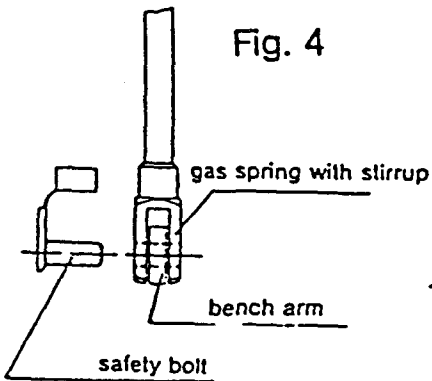


Fig. 4

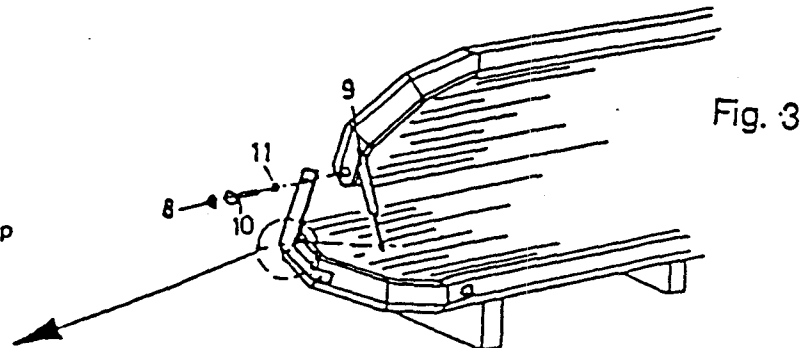


Fig. 3

EXPOSURE TIME

The reaction of the human skin to natural sunlight depends on the skin type. This is also true with regard to tanning with UVA lamps. With this in mind, you must try and find the exposure time suitable for your skin type. Please put on the protective glasses before switching on the unit.

This tanning bed may be used by a maximum of one person at a time. Only one set of protective eyewear has been provided with this tanning bed. Users must wear protective eyewear when using this unit.

FOLLOW THE EXPOSURE SCHEDULE ON PAGE 2.

The skin of the body may vary in thickness, accounting for a different light sensitivity in various parts of the body. The skin around the breast area is usually more sensitive than the skin of the other parts of the body to natural and UVA light exposure. This sensitivity is further enhanced because such skin will normally be covered with clothing and not exposed to natural sunlight. Caution must be exercised when exposing such extremities. Expose these sensitive areas in a series of short term exposures until the skin develops natural light protection (pigmentation), e.g. the overall exposure times should be reduced or such skin areas should be covered for about half of the preset exposure time.

After a series of 8 to 12 sessions, it will be sufficient to continue irradiations at cycles of 1 to 2 sessions per week. This way the tanning of the skin may be a long-lasting one.

If, in spite of all precautionary measures taken, the symptoms of a sunburn (reddening and a tense sensation of the skin some 3 to 4 hours after the exposure) should be noticed, the irradiation series should be interrupted for a minimum of one full day. The slightly inflamed skin possesses a strongly increased light sensitivity and continued exposure would only intensify these symptoms.

Please note: If you do not tan under the natural sun, you cannot tan with the SonnenBraune Wolff System sunbed.

Note: During the first 50 to 80 service hours the performance of the unit is about 20% above the normal performance. Therefore, you should reduce the durations specified in the table by about 20%.

Sun protection agents are not necessary while tanning when recommended tanning times are observed. It is advisable to use a moisture cream after exposure.

If you are sick or take medication, consult your doctor before exposure.

COMMERCIAL WARRANTY AND LIMITATION OF LIABILITY

SonnenBraune Wolff System suntanning units carry a warranty to the original purchaser for a period of thirty-six (36) months following purchase, for all parts, excluding lamps, pistons, acrylics and starters. SonnenBraune will provide free labor to fix or replace defective parts for a period of ninety (90) days following purchase.

Damage resulting from purchaser's negligence or use contrary to published instructions is specifically excluded from warranty coverage. Purchaser must place equipment in an area which conforms to SonnenBraune publish space, electrical and environmental requirements, and the equipment must not be altered or serviced by anyone other than SonnenBraune or other authorized service representative.

SONNENBRAUNE SHALL IN NO EVENT BE LIABLE FOR ANY DAMAGE DIRECT, INDIRECT, OR CONSEQUENTIAL INCLUDING ANY ECONOMICAL LOSS, LOSS OF PROPERTY, LOSS OF REVENUES OR PROFITS OR COSTS OF REMOVAL AND INSTALLATION BEYOND THE TERMS OF THIS WARRANTY. IN ANY AND ALL CASES ANY LIABILITY OF SONNENBRAUNE SHALL BE CONFINED TO THE REPLACEMENT OF DEFECTIVE AND NONCONFORMING PARTS OR LAMPS.

THIS WARRANTY IS IN LIEU OF ALL WARRANTIES EXPRESSED OR IMPLIED, AND NO REPRESENTATIVE OR PERSON IS AUTHORIZED TO ASSUME FOR SONNENBRAUNE ANY OTHER LIABILITY IN CONNECTION WITH THE SALE, INSTALLATION, OR SERVICE OF OUR PRODUCTS.

For more detailed information on the limited warranty covering your new SonnenBraune Wolff System tanning bed, please refer to the warranty card enclosed herewith.

SonnenBraune Wolff System
8635 154th Avenue Northeast
Redmond, Washington 98052

(800) 829-6533

If any servicing or replacement parts are required, call your dealer or the SonnenBraune Customer Service Center.

(800) 829-6533

GUARANTEE

SonnenBraune Wolff System suntanning equipment complies with Sunlamp Product Performance Standard 21 CFR Subchapter J.

TECHNICAL DATA	524
Bellarium Plus or Bellarium S Lamps	24
Fans	8
Hourmeter	9999 hrs.
Timer	20 min.
Total wattage	3145 W
Circuit Breaker size 240 VAC	20 amp.
Weight	442 lbs.
Length	84 in.
Width	35 in.
Height	51 in.
Gas Piston	800 N

