

**OPERATING INSTRUCTIONS**

**SONNENBRAUNE WOLFF SYSTEM  
MODELS 624 AND 728**

**equipped with Bellarium S SA1-10-100W lamps**

Shown below is a reproduction of the label found on the sunbed or canopy near the Timer. This label has important safety information relating to the proper operation of this suntanning equipment. Please take a minute and read through this information.

**DANGER:** ULTRAVIOLET RADIATION. FOLLOW INSTRUCTIONS. AVOID OVEREXPOSURE. AS WITH NATURAL SUNLIGHT, OVER EXPOSURE CAN CAUSE EYE AND SKIN INJURY AND ALLERGIC REACTIONS. REPEATED OVEREXPOSURE MAY CAUSE PRE-MATURE AGING OF THE SKIN AND SKIN CANCER.

## WEAR PROTECTIVE EYEWEAR; FAILURE TO MAY RESULT IN SEVERE BURNS OR LONG-TERM INJURY TO THE EYES.

MEDICATIONS OR COSMETICS MAY INCREASE YOUR SENSITIVITY TO THE ULTRAVIOLET RADIATION. CONSULT PHYSICIAN BEFORE USING SUNLAMP IF YOU ARE USING MEDICATIONS OR HAVE A HISTORY OF SKIN PROBLEMS OR BELIEVE YOURSELF ESPECIALLY SENSITIVE TO SUNLIGHT. IF YOU DO NOT TAN IN THE SUN, YOU ARE UNLIKELY TO TAN FROM THE USE OF THIS PRODUCT.

THIS DEVICE IS INTENDED TO BE USED BY ONE PERSON AT A TIME. YOU MAY LIE DIRECTLY ON TANNING SURFACE. THE MINIMUM EXPOSURE POSITION IS 2 IN. (5 CM) FROM THE LAMP'S SURFACE (PRESET BY THE MANUFACTURER). READ THE INSTRUCTION BOOKLET BEFORE USING THIS DEVICE.

**CAUTION! EXPOSURE POSITIONS CLOSER THAN SPECIFIED CAN BE HARMFUL AND ARE NOT RECOMMENDED.**

### RECOMMENDED EXPOSURE SCHEDULE:

SKIN TYPE	WEEK 1		WEEK 2		WEEK 3		WEEK 4	
	SESSIONS	SESSIONS	SESSIONS	SESSIONS	SESSIONS	SESSIONS	SESSIONS	SESSIONS
II FAIR	4 min.	8 min.	8 min.	12 min.	16 min.	16 min.	20 min.	20 min.
III MEDIUM	4 min.	8 min.	8 min.	12 min.	16 min.	16 min.	20 min.	20 min.
IV DARK	4 min.	12 min.	12 min.	16 min.	20 min.	20 min.	20 min.	20 min.
V VERY DARK	4 min.	12 min.	12 min.	16 min.	20 min.	20 min.	20 min.	20 min.

FIRST SIX SESSIONS TO BE AT 48 HOUR INTERVALS TAN MAINTENANCE: 1 - 2 TIMES WEEKLY AT WEEK 4 DOSAGE. MAXIMUM USE TIME: 20 MINUTES

SKIN TYPE II - THIS IS THE INDIVIDUAL THAT USUALLY BURNS EASILY AND SEVERELY, TANS MINIMALLY OR LIGHTLY AND PEELS.

SKIN TYPE III - OFTEN REFERRED TO AS "AVERAGE" COMPLEXION, BURNS MODERATELY AND TANS ABOUT AVERAGE.

SKIN TYPE IV - THIS INDIVIDUAL BURN MINIMALLY, TANS EASILY AND ABOVE AVERAGE

SKIN TYPE V - THIS INDIVIDUAL'S SYSTEM RARELY BURNS, TANS EASILY AND SUBSTANTIALY

IN MOST CASES, SLIGHT TANNING WILL APPEAR WITHIN SIX HOURS OF THE FIRST APPLICATION, PROVIDED YOUR SKIN IS CAPABLE OF DEVELOPING A TAN. A MOISTURIZER MAY BE USED AFTER EACH TANNING SESSION.

THIS DEVICE IS INTENDED TO BE USED ONLY WITH THE WOLFF SYSTEM: Bellarium S SA1-10-100W

FOR PARTS AND SERVICE CALL:  
SONNENBRAUNE  
1-800-829-6533  
1-800-82-WOLFF

THIS PRODUCT IS IN CONFORMITY WITH PERFORMANCE STANDARDS FOR SUNLAMP PRODUCTS UNDER NO. 21 CFR SUBCHAPTER J.

Dear customer:

We congratulate you on your purchase of a new SonnenBraune Wolff System sunbed and wish you great enjoyment.

Please read the instructions carefully before you use the unit for the first time.

Our sunbed units are manufactured combining the latest state of the art technology with the quality and reputation of the Original Wolff System. The exclusive Bellarium S lamps are surrounded by a high performance special reflector of polished aluminum. This ensures an optimum utilization of each lamp. Each unit has been factory tested and is released only after a thorough final inspection, insuring that you receive the finest suntanning equipment available today.

SonnenBraune Wolff System  
8635 154th Avenue Northeast  
Redmond, Washington 98052  
(800) 829-6533

If any servicing or replacement parts are required, call your dealer or the SonnenBraune Customer Service Center.  
(800) 829-6533

TABLE OF CONTENTS	PAGE
USER NOTICE	2-3
USER INSTRUCTIONS	5-14
EXPOSURE INSTRUCTIONS	2; 13-14
CARE & MAINTENANCE OF SUNBEDS	14
TROUBLESHOOTING	14-15
ASSEMBLY	16-21
OPERATION OF CLOCK TIMER	12
EXPOSURE TIME	2
WARRANTY	22
TECHNICAL DATA/SPARE PARTS	23

## INSTALLATION REQUIREMENTS

This unit may be operated at 120 VAC 60 Hz (single phase). A qualified electrician must be used to equip the unit for either voltage and properly connect this appliance to your electrical supply.

Each sunbed is internally wired to accept 2 hot "legs," one neutral and one ground. The neutral is required since the 240 VAC supplied is split between the sunbed and the sunceiling, resulting in 120 VAC to the internal components of the unit.

SERVICE ENTRANCE POWER	POWER REQ'D AT EACH BED	PROTECTION FOR BRANCH CIRCUIT	# WIRES FROM SERVICE ENTRANCE TO SUNBED	WIRE SIZE AND PHASE USED
120/240 VAC 60 Hz SINGLE PHASE	235-245 VAC	20 AMP	2 HOT (BLK OR RED) 1 NEUTRAL (WHITE) 1 GROUND (GREEN)	NO. 12 AWG (SINGLE PHASE)
624 MODEL ONLY 120 VAC 60 Hz SINGLE PHASE	115-125 VAC	30 AMP	1 HOT (BLK) 1 NEUTRAL (WHITE) 1 GROUND (GREEN)	NO. 10 AWG (SINGLE PHASE)

**Please note:** The model 624 and 728 sunbeds must be hard wired from the wall to the bed, in conduit to maintain U.L. requirements. No power cords or plugs are supplied with units. Ceiling units are powered from the bench units.

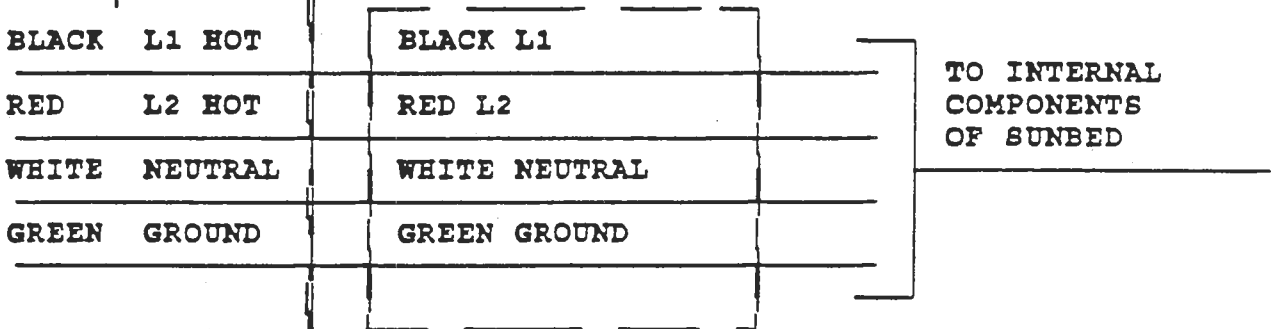
**CONNECTING DIAGRAMS FOR POWER INTO SUNBED MODELS:  
524/524E/WSS24/624/728/2400LE**

**240 VAC 60Hz single phase or 208Y 60Hz two phase  
20 amp circuit required**

**POWER CONSUMPTION:**

524	3,110 Watts	728	3,610 Watts
524E	3,110 Watts	732	4,150 Watts
WSS24	3,110 Watts	2400LE	3,010 Watts
624	3,070 Watts		

**FROM SERVICE  
ENTRANCE**

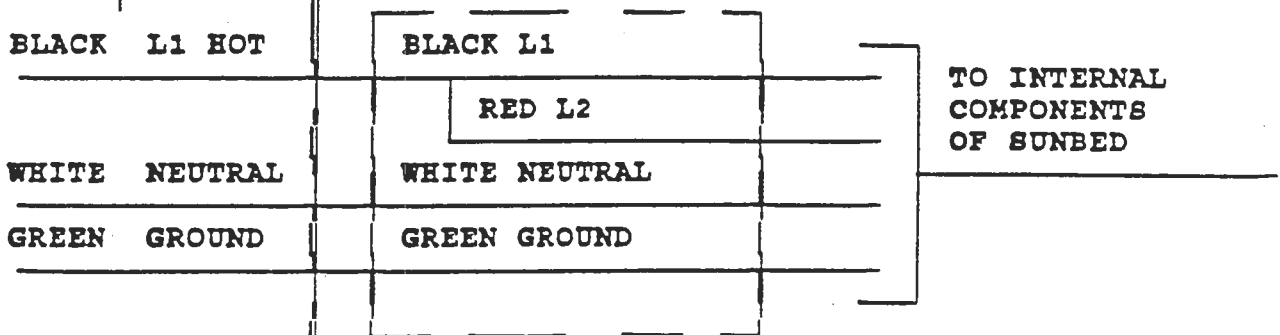


**BRANCH CIRCUIT  
20 AMP PROTECTION  
NO. 12 AWG WIRE**

**JUNCTION BOX INSIDE SUNBED**

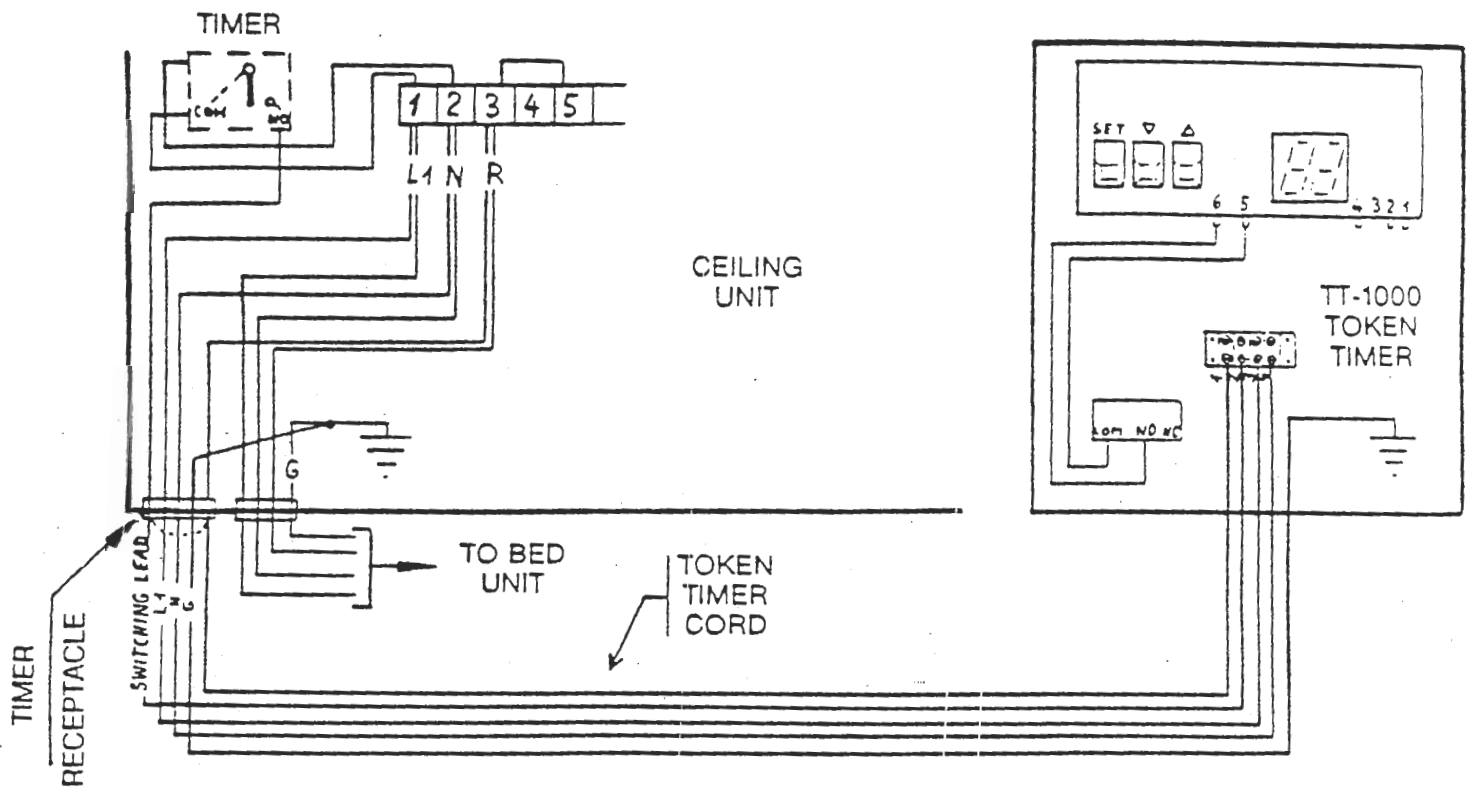
**OPTIONAL POWER CONNECTION FOR 524/624/2400LE MODELS ONLY  
120 VAC 60Hz single phase 30 amp circuit required**

**FROM SERVICE  
ENTRANCE**



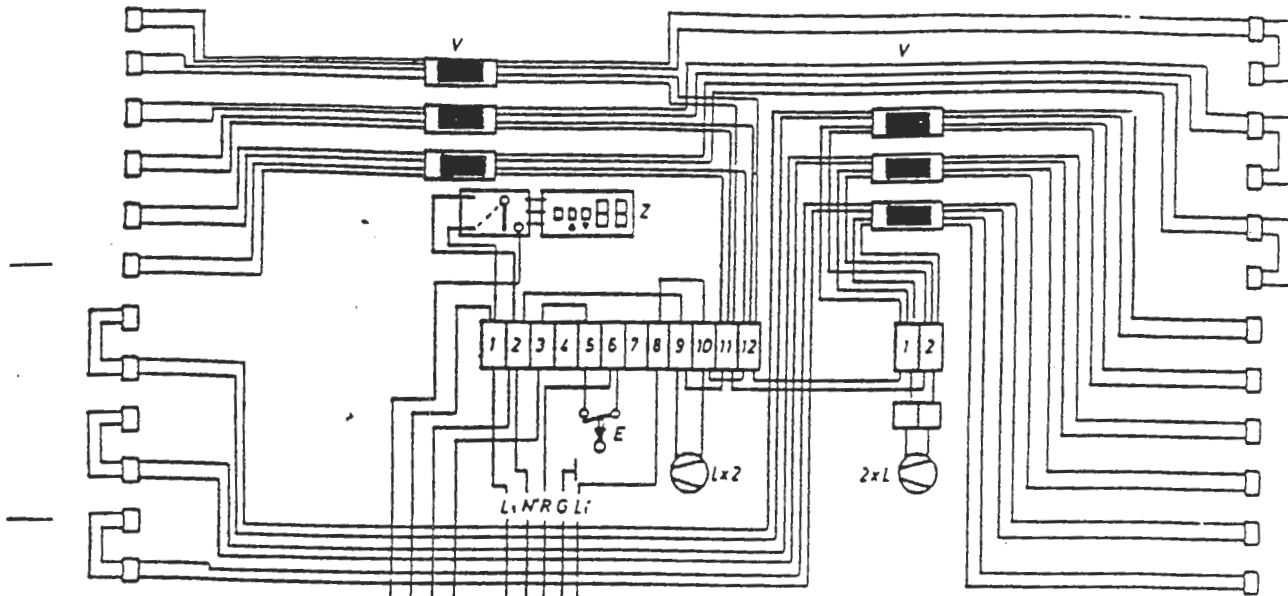
**BRANCH CIRCUIT  
30 AMP PROTECTION  
NO. 10 AWG WIRE**

**JUNCTION BOX INSIDE SUNBED**

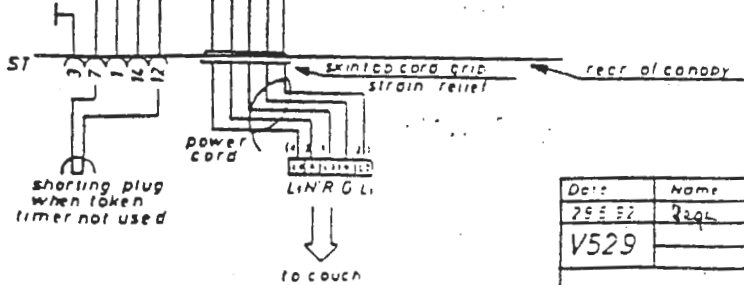


Remove the shorting plug installed in the timer receptacle and connect the timer cord.

**624/728 BED UNIT WIRING (PARTIAL)  
SHOWING CONNECTION OF THE OPTIONAL TT-1000  
TOKEN OPERATED TIMER.**



V = lamp ballast  
 L = lan  
 E = winterlock  
 Z = timer  
 ST = 5 pin token timer socket  
 G = ground fault circuit int.  
 S = socket



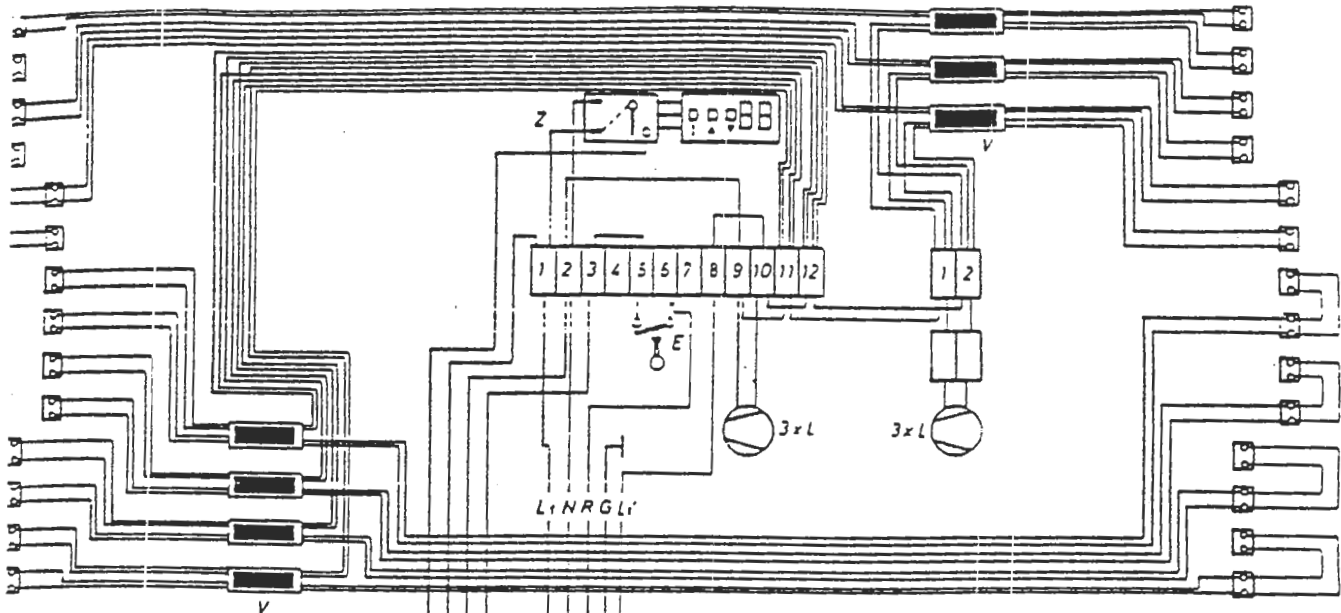
E = interlock  
 L = lan  
 R = relay  
 S = socket  
 V = lamp ballast

Date	Name	
29.6.52	Rege	SUN CANOPY
V529		

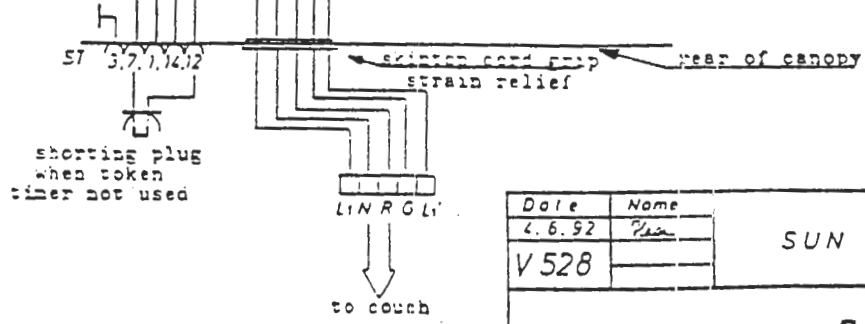
Date	Name	
29.6.52	Rege	SUN COUCH
V526		

624

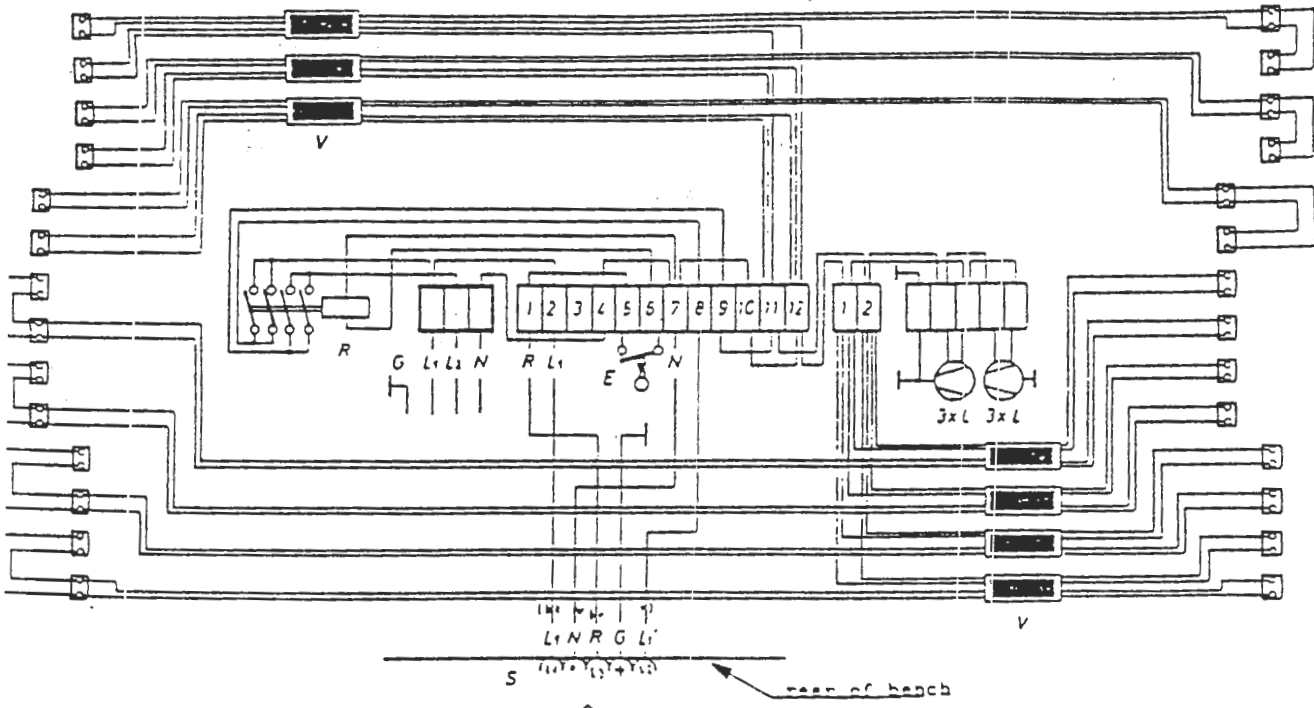




- lampballast
- fan
- interlock
- timer
- spin token
- timer socket
- ground fault
- circuit int.
- socket



Date	Name	
4.6.92	Plan	SUN CANOPY
V528		728



- E = interlock
- L = fan
- R = relay
- S = socket
- V = lampballast



Date	Name	
29.6.92	Plan	SUN COUCH
V527		728

## TIMER OPERATION

The 624 and 728 sunbeds are equipped with an electronic push button LED digital timer. A reminder tone is built into the timer which sounds midway through the tanning session and again at twenty second intervals during the last minute. Instructions for operation of the timer are as follows (refer to diagram below):

1. Push button #1 (time is preset for 20 minutes).
2. By pushing button #3 the time will decrease in increments of 1 minute (down to 1 minute).
3. Push button #1 after time is set to activate the bed.
4. To interrupt power at any time during the session (and thereby terminate UV radiation), press button #1.

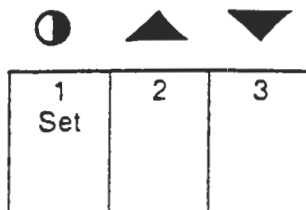
**HOURLY METER:** Accumulates up to 9,999 hours.

**SESSION ACCUMULATOR:** Accumulates up to 9,999 sessions.

### To read accumulators:

**Hourmeter:** While the timer is off, press the #2 button. While holding the #2 button down, press the #1 button. This will display thousands and hundreds of hours. By releasing the #1 button while still holding #2 down, the remaining hours 0-99 will be displayed.

**Session Accumulator:** While the timer is off, press the #3 button. While holding the #3 button down, press the #1 button. This will display thousands and hundreds of sessions. By releasing the #1 button while still holding #3 down, the remaining sessions 0-99 will be displayed.



## EXPOSURE TIME

The reaction of the human skin to natural sunlight depends on the skin type. This is also true with regard to tanning with UVA lamps. With this in mind, you must try and find the exposure time suitable for your skin type. Please put on the protective glasses before switching on the unit.

This tanning bed may be used by a maximum of one person at a time. Only one set of protective eyewear has been provided with this tanning bed. Users must wear protective eyewear when using this unit.

## FOLLOW THE EXPOSURE SCHEDULE ON PAGE 2.

The skin of the body may vary in thickness, accounting for a different light sensitivity in various parts of the body. The skin around the breast area is usually more sensitive than the skin of the other parts of the body to natural and UVA light exposure. This sensitivity is further enhanced because such skin will normally be covered with clothing and not exposed to natural sunlight. Caution must be exercised when exposing such extremities. Expose these sensitive areas in a series of short term exposures until the skin develops natural light protection (pigmentation), e.g. the overall exposure times should be reduced or such skin areas should be covered for about half of the preset exposure time.

After a series of 8 to 12 sessions, it will be sufficient to continue irradiations at cycles of 1 to 2 sessions per week. This way the tanning of the skin may be a long-lasting one.

If, in spite of all precautionary measures taken, the symptoms of a sunburn (reddening and a tense sensation of the skin some 3 to 4 hours after the exposure) should be noticed, the irradiation series should be interrupted for a minimum of one full day. The slightly inflamed skin possesses a strongly increased light sensitivity and continued exposure would only intensify these symptoms.

**Please note:** If you do not tan under the natural sun, you cannot tan with the SonnenBraune Wolff System sunbed.

**Note:** During the first 50 to 80 service hours the performance of the unit is about 20% above the normal performance. Therefore, you should reduce the durations specified in the table by about 20%.

Sun protection agents are not necessary while tanning when recommended tanning times are observed. It is advisable to use a moisture cream after exposure.

If you are sick or take medication, consult your doctor before exposure.

#### **CARE AND MAINTENANCE**

The sunbeds do require some simple maintenance. Ensure that the special acrylic plate of the sunbed is always clean, otherwise its performance will be reduced. For cleaning, use a mild, non-abrasive domestic rinsing agent. If needed, clean the reflectors and the lamps with a soft rag. Do not use any alcohol or ammonia based cleaners or any coarse abrasive agents.

The acrylic plate is a special version with high UV permeability. If it must be replaced, do not use window glass or the usual plexiglass, because they would filter out the UV rays partly or fully.

#### **REPLACEMENT OF LAMPS**

For replacement lamps, use only Wolff System Bellarium S SA1-10-100W.

**Note:** Disconnect power supply from unit before doing cleaning and maintenance work.

#### **TROUBLESHOOTING**

If one or several lamps do not burn, check in the following sequence:

Are the lamps properly fitted?

Are they fully held by the lampholders?

If the lamp still does not light, try the following: Remove the defective lamp and replace it with one which you know operates. If the new lamp lights, it can be assumed that the lamp removed is defective. But if it does not, contact an electrician.

In case of problems and repairs, always use original Wolff system spare parts to insure that the performance of the unit has not changed.

**What can you do when:**

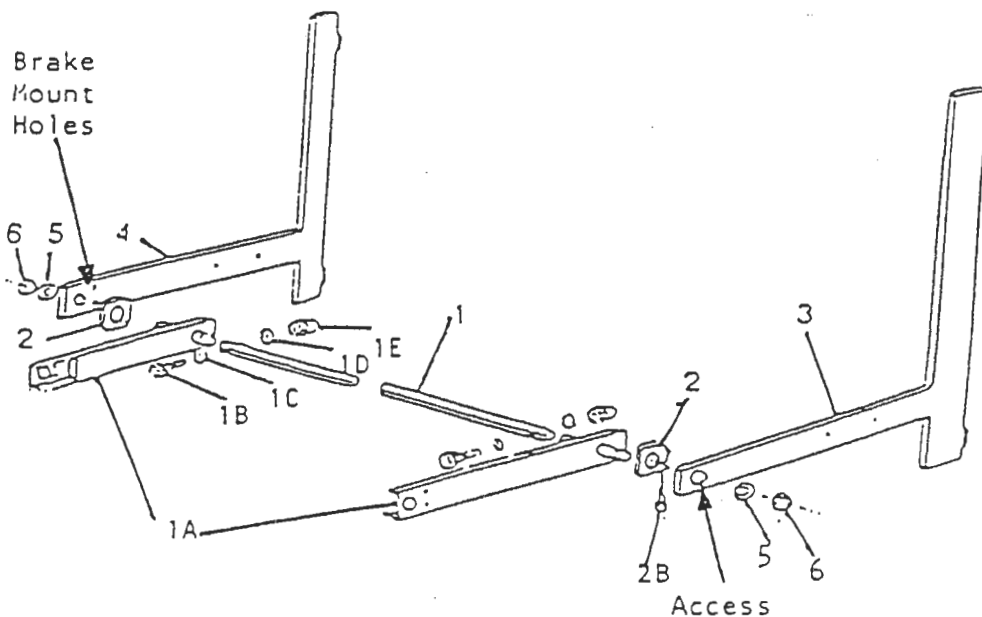
**YOU ARE NOT SATISFIED WITH YOUR TAN:**

Review the exposure schedule on page 2. Check exposure position: the distance between the tanning surface and the body should be

two to four inches. In no event should the exposure position be less than two inches between the body and the tanning surface. However, you may lie directly on the tanning surface of the bench unit.

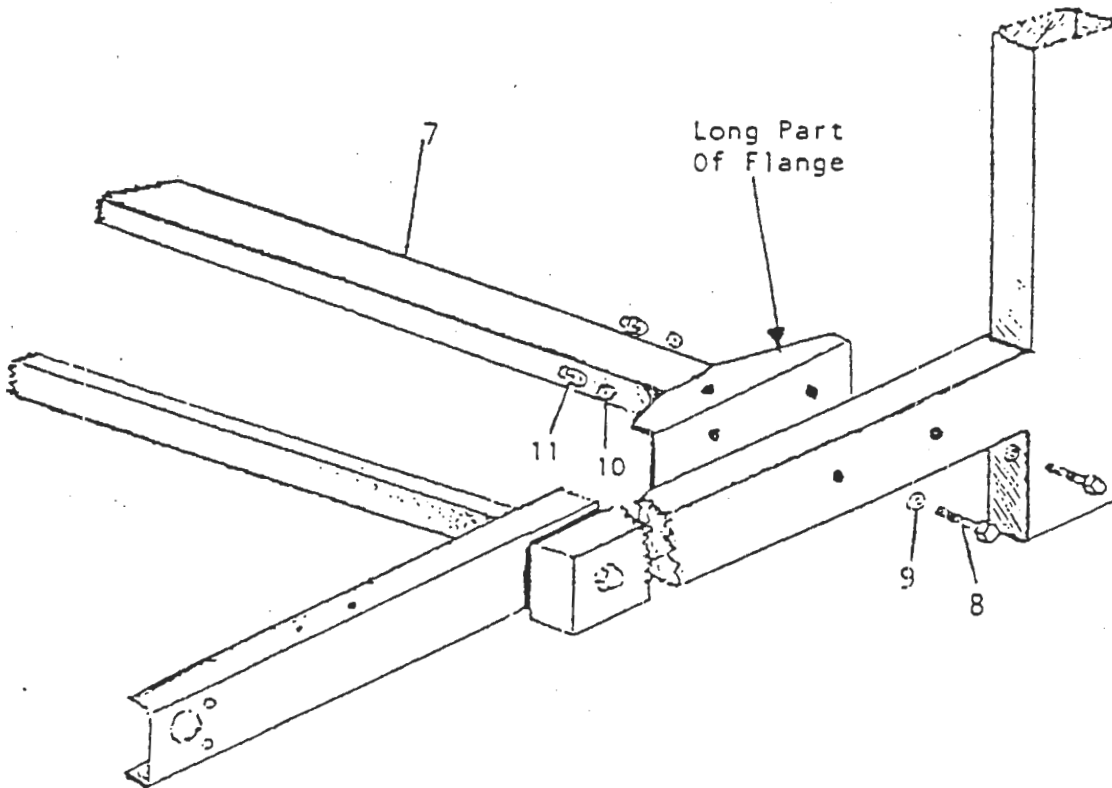
ASSEMBLY 624/728

1. LAY UPPER SQUARE CROSSBAR ASSEMBLY ITEM (1) ON FLOOR OR WORK SURFACE AS SHOWN BELOW AND SECURE TO SUPPORT ARMS ITEM (1A) W/ 1 3/4" LONG BOLT ITEM (1B) FLAT WASHER ITEM (1C) SERRATED WASHER ITEM (1D) CAP NUT ITEM (1E). TIGHTEN FIRMLY.
2. FIT WHITE BRAKE ITEM (2) W/ 1 3/8" HEX SCREW INSERT ITEM (2B) ONTO THREADED SHAFT OF SUPPORT ARM ITEM (1A).
3. POSITION LEFT LEG STAND ITEM (3) AS SHOWN BELOW SO THE BRAKE MOUNTING HOLES ARE FACING INWARD.
4. SLIDE THREADED SIDE OF LEFT SUPPORT ARM ITEM (1A) THROUGH ACCESS OF LEFT LEG STAND ITEM (3). SECURE W/ FLAT WASHER ITEM (5) AND LOCKNUT ITEM (6). TIGHTEN UNTIL SNUG. DO NOT OVER TIGHTEN.
5. REPEAT STEPS TWO THROUGH FOUR FOR RIGHT LEG ASSEMBLY ITEM (4).



ASSEMBLY 624/728

6. POSITION LOWER CROSSBAR ITEM (7) BETWEEN LEFT AND RIGHT LEGS AS SHOWN AND SECURE TO LEGS W/ 2" BOLTS ITEM (8) FLAT WASHERS ITEM (9) SERRATED LOCKWASHERS ITEM (10) AND CAPNUTS ITEM (11).



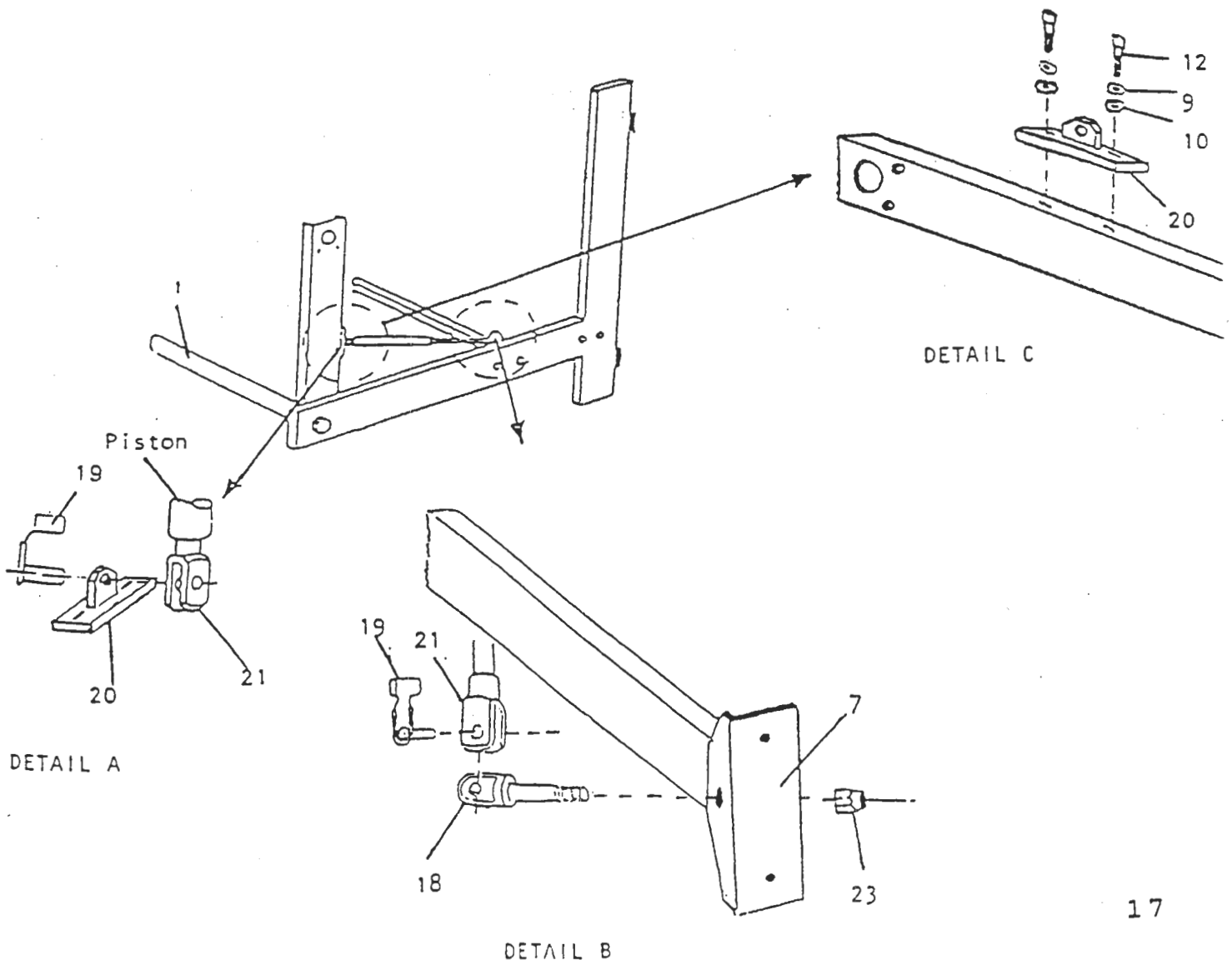
ASSEMBLY 624/728

7. INSTALL EYE BOLTS ITEM (18) THROUGH HOLES AT RIGHT AND LEFT ENDS OF LOWER CROSSBAR ITEM (7). TIGHTEN LOCKNUTS ITEM (23) SO THAT THE EYE BOLTS WILL TURN FREELY.

8. SECURE PISTON BRACKETS ITEM (20) W/ 1" HEX SCREWS ITEM (12) WASHERS ITEM (9) SERRATED LOCKWASHERS ITEM (10) ONTO SUPPORT ARM AS SHOWN IN DETAIL C.

9. INSTALL PISTON BOLTS ITEM (19) THROUGH PISTON FORKS ITEM (21) ON EYE BOLTS ITEM (18) AS SHOWN IN DETAIL B.

10. RAISE ARMS OF ITEM (1) CROSSBAR ASSEMBLY UNTIL PISTON FORKS ITEM (21) WILL FIT ONTO PISTON BRACKETS ITEM (20) AS SHOWN IN DETAIL A.





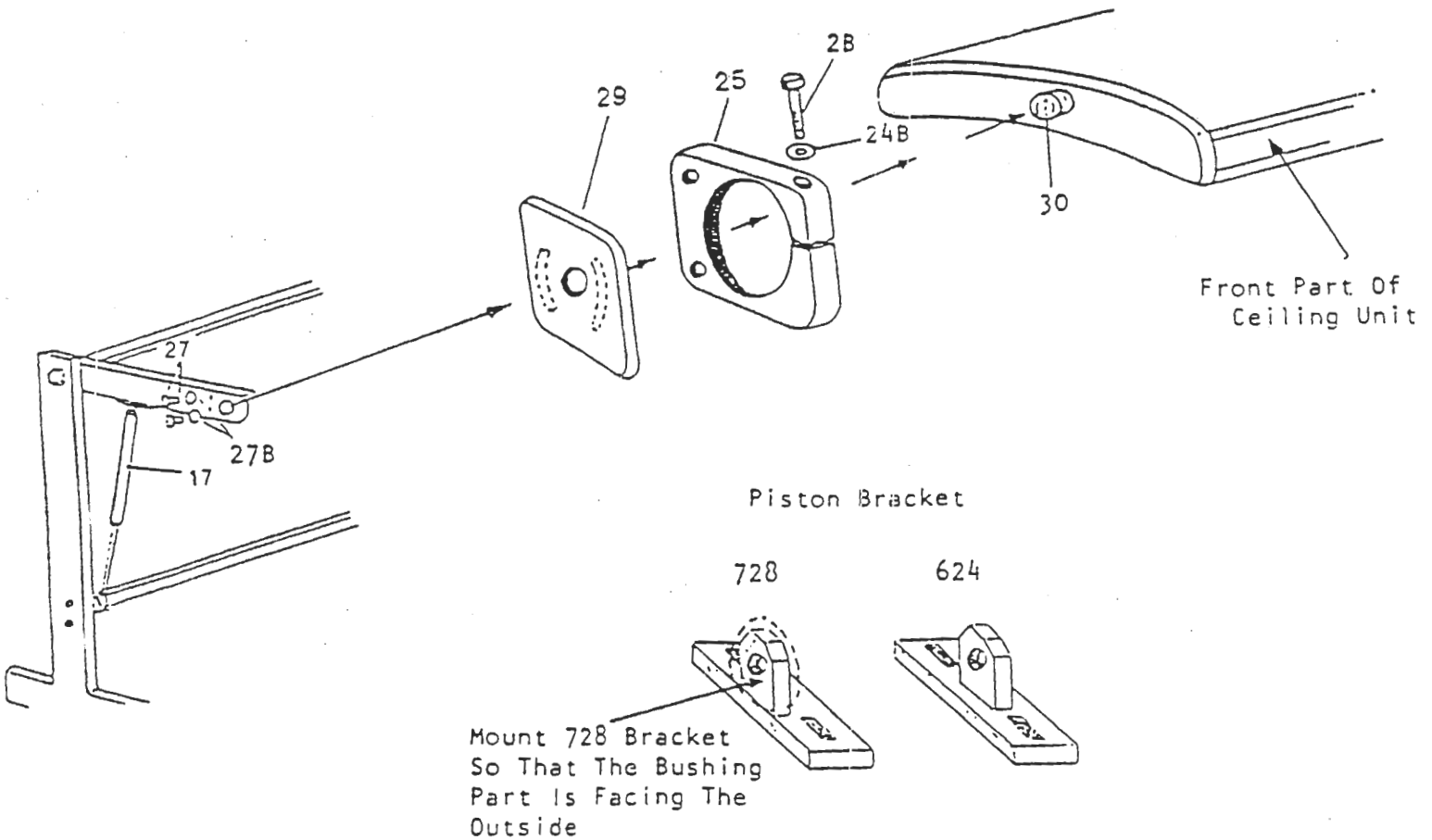
ASSEMBLY 624/728

11. RAISE STAND TO THE UPRIGHT POSITION AND SET IN PLACE WHERE THE SUNBED SYSTEM IS TO BE USED. LEVEL ASSEMBLY WITH THE FOUR SWIVEL FEET ATTACHED TO THE UNDERSIDE OF THE LEGS.

12. INSERT 1 3/8" HEX SCREWS ITEM (2B) FLAT WASHERS ITEM (24B) INTO BLACK BRAKES ITEM (25) AS SHOWN.

13. SECURE BLACK BRAKES ITEM (25) PLASTIC ROTATION LIMITERS ITEM (29) TO SUPPORT ARMS W/ 3/4" SCREWS ITEM (27) FLAT WASHERS ITEM (27B) AS SHOWN.

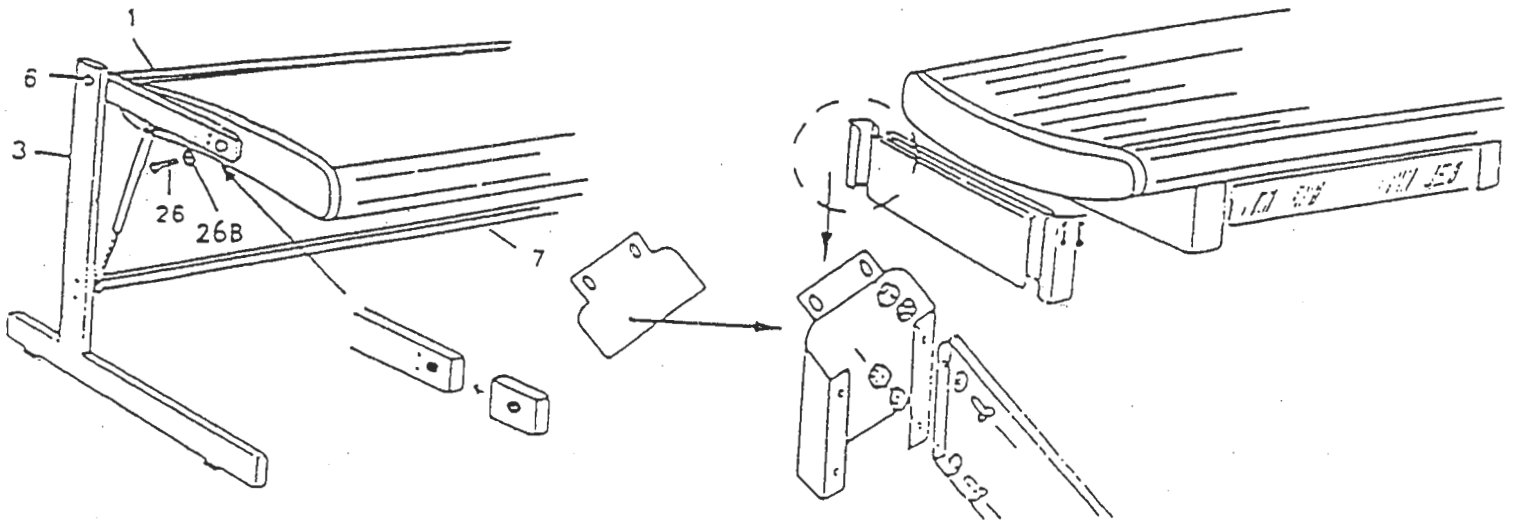
14. USING ONE PERSON AT EACH END OF THE CEILING UNIT, LIFT UNIT AND SLIDE DISTANCE DISC ITEM (30) ONE END AT A TIME INTO BLACK BRAKE SUPPORT ARMS ASSEMBLY.



ASSEMBLY 624/728

15. INSTALL 2 3/4" CANOPY BOLTS ITEM (26) FLAT WASHERS ITEM (26B) THROUGH SUPPORT ARMS AND INTO THREADED HOLES IN CENTER OF CEILING UNIT PIVOT DISTANCE DISCS.

16. ASSEMBLE TWO PAIRS OF LEG ASSEMBLIES W/ SCREWS, NUTS AND WASHERS ENCLOSED AND ATTACH TO BOTTOM OF SUNBED UNIT IN HOLES PROVIDED. SECURE W/ SCREWS AND WASHERS. SEE ENCLOSURE.



20. Position sunbed beneath sunceiling assembly and connect cord between sunbed and sunceiling.
21. Refer to the "INSTALLATION REQUIREMENTS" section of this manual for correct electrical connection and wiring into the junction box located on the underside of the bed unit. Refer to the operation instructions for proper use.

## COMMERCIAL WARRANTY AND LIMITATION OF LIABILITY

SonnenBraune Wolff System suntanning units carry a warranty to the original purchaser for a period of thirty-six (36) months following purchase, for all parts, excluding lamps, pistons, acrylics and starters. SonnenBraune will provide free labor to fix or replace defective parts for a period of ninety (90) days following purchase.

Damage resulting from purchaser's negligence or use contrary to published instructions is specifically excluded from warranty coverage. Purchaser must place equipment in an area which conforms to SonnenBraune publish space, electrical and environmental requirements, and the equipment must not be altered or serviced by anyone other than SonnenBraune or other authorized service representative.

SONNENBRAUNE SHALL IN NO EVENT BE LIABLE FOR ANY DAMAGE DIRECT, INDIRECT, OR CONSEQUENTIAL INCLUDING ANY ECONOMICAL LOSS, LOSS OF PROPERTY, LOSS OF REVENUES OR PROFITS OR COSTS OF REMOVAL AND INSTALLATION BEYOND THE TERMS OF THIS WARRANTY. IN ANY AND ALL CASES ANY LIABILITY OF SONNENBRAUNE SHALL BE CONFINED TO THE REPLACEMENT OF DEFECTIVE AND NONCONFORMING PARTS OR LAMPS.

THIS WARRANTY IS IN LIEU OF ALL WARRANTIES EXPRESSED OR IMPLIED, AND NO REPRESENTATIVE OR PERSON IS AUTHORIZED TO ASSUME FOR SONNENBRAUNE ANY OTHER LIABILITY IN CONNECTION WITH THE SALE, INSTALLATION, OR SERVICE OF OUR PRODUCTS.

For more detailed information on the limited warranty covering your new SonnenBraune Wolff System tanning bed, please refer to the warranty card enclosed herewith.

SonnenBraune Wolff System  
8635 154th Avenue Northeast  
Redmond, Washington 98052  
(800)829-6533

If any servicing or replacement parts are required, call your dealer or the SonnenBraune Customer Service Center.  
(800)829-6533

### GUARANTEE

SonnenBraune Wolff System suntanning equipment complies with Sunlamp Product Performance Standard 21 CFR Subchapter J.

TECHNICAL DATA	624	728
Bellarium S Lamps	24	28
Special reflectors	24	28
Fans	8	12
Hourmeter	9999 hrs.	9999 hrs.
Timer/Clock	20 min.	20 min.
Total wattage	3,070 W	3,610 W
Circuit Breaker size 240 VAC	20 amp.	20 amp.
Circuit Breaker size 120 VAC	30 amp.	N/A
Weight	490 lbs.	556 lbs.
Length	88 in.	89 in.
Width	39 in.	47 in.
Height	54 in.	58 in.
Gas spring	1300 N	1700/1500N

23

Effective January 1, 1996 all payments should be sent to the following locations:

Regular/Overnight Mail: SonnenBraune Inc.  
6362 Battlefield Pkwy.  
Suite 7  
Ringgold, Ga. 30736

Wire-Ach Payment: Northwest Georgia Bank Ringgold, GA. 30736  
706-965-3000  
Transit #061107010  
Account #0119698306

Additional Information : Fax # 706-937-5609 Phone # 800-548-7358

Service Contact name: Gary Gray  
Greg Miller

Account Inquires: Louise Gray  
Paul Reed

Warranty, Shipping &  
Lamp orders: Dana Roach

---

