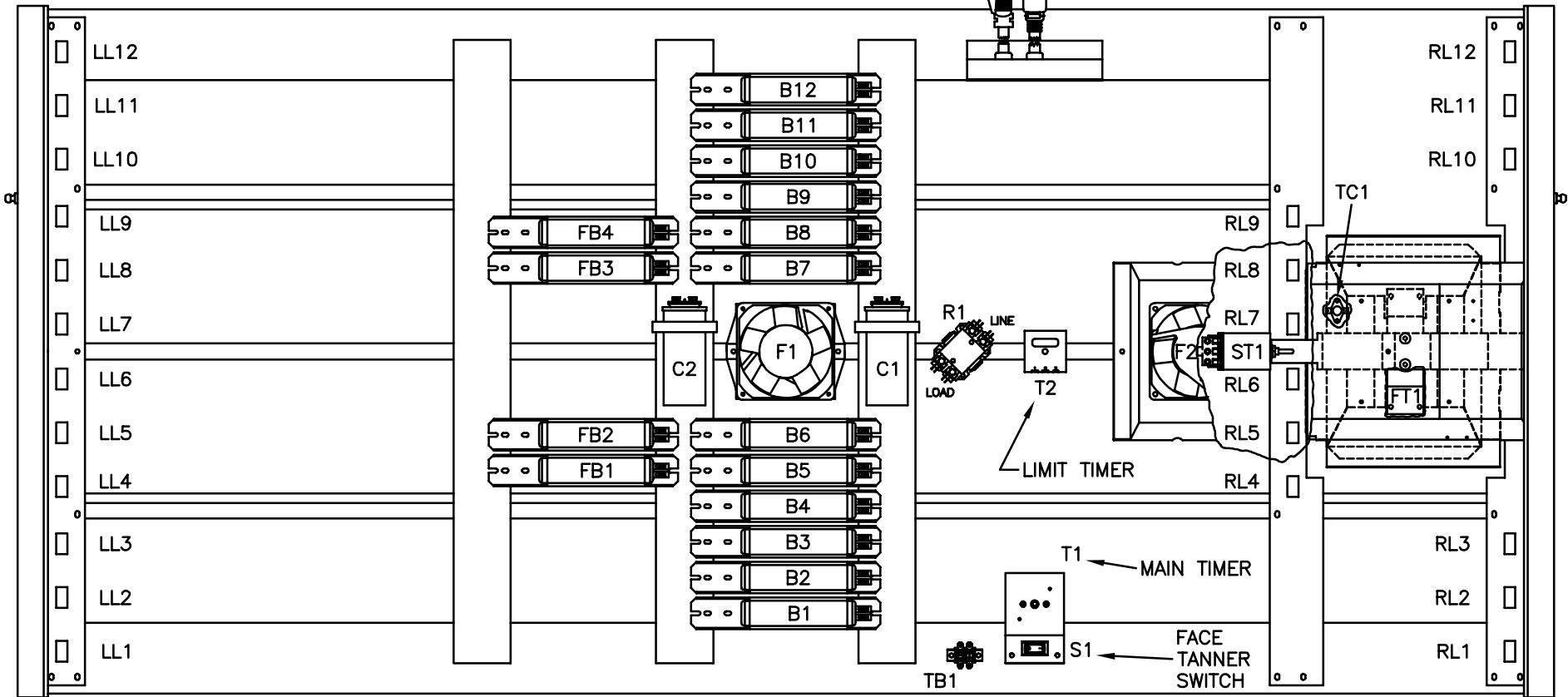


SUNQUEST PRO 24RSF HOOD

LINE INPUT → P1 P2 ← BENCH



FRONT OF BED

- | | |
|--------------------------|--------------------------|
| LL = LEFT LAMP HOLDER | RL = RIGHT LAMP HOLDER |
| B = BALLAST | C = CAPACITOR |
| F = FAN | P = POWER |
| R = RELAY (CONTACTOR) | T = TIMER |
| TB = TERMINAL BLOCK | ST = FACE TANNER STARTER |
| S = SWITCH | FT = FACE TANNER |
| TC = TEMPERATURE CONTROL | FB = FACE TANNER BALLAST |

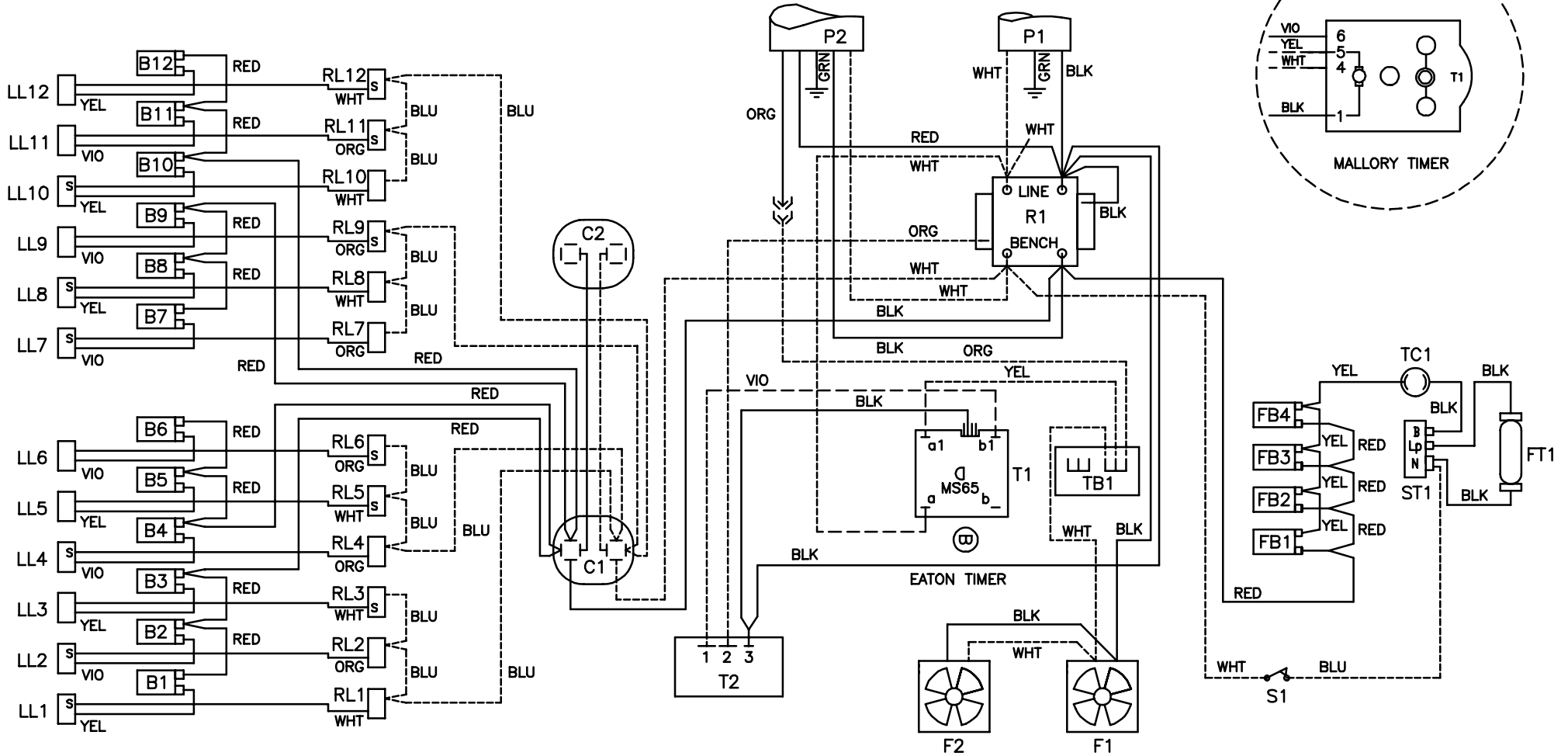


6220 CHURCHMAN BYPASS
INDIANAPOLIS, IN 46203

20675 REV. C

NOTE:
1. WIRE COLORS MAY NOT BE
EXACTLY AS SHOWN

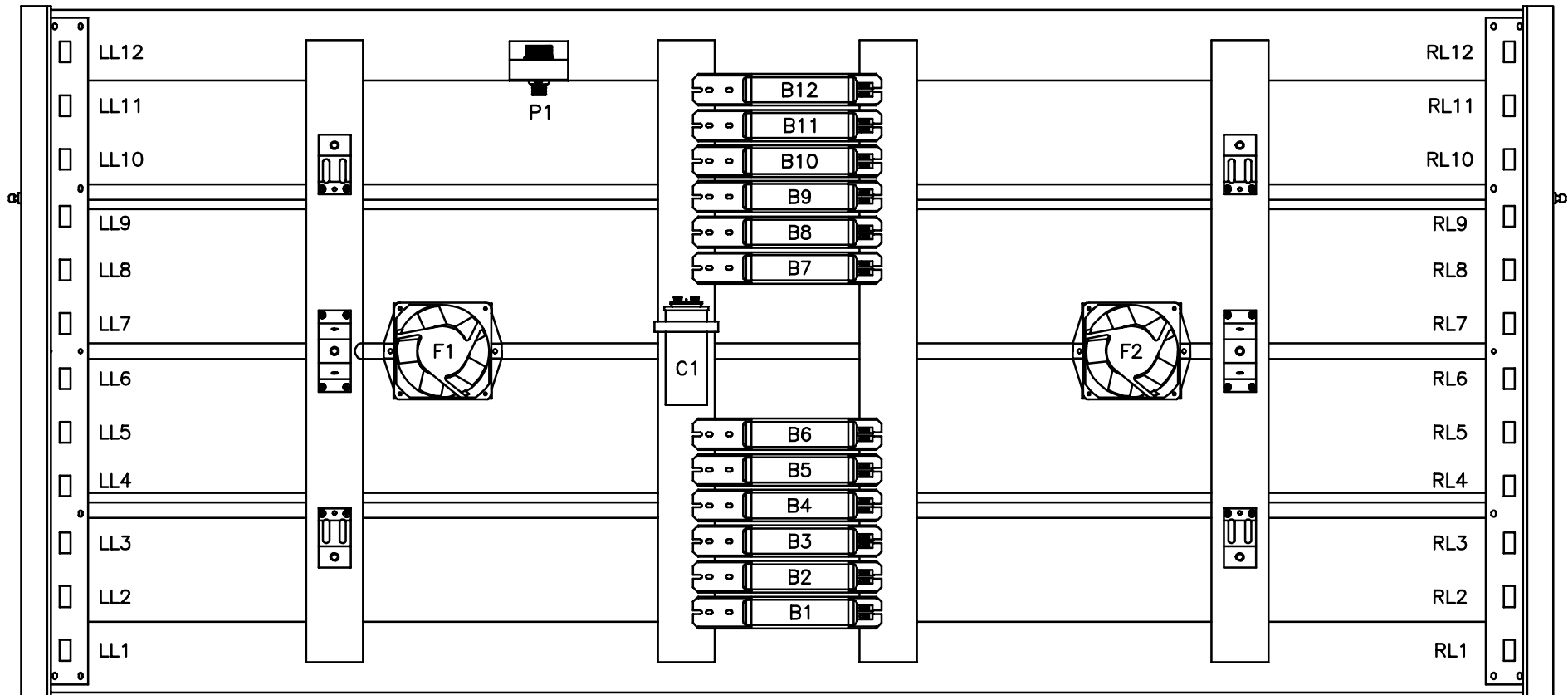
SUNQUEST PRO 24RSF HOOD



LL = LEFT LAMP HOLDER	RL = RIGHT LAMP HOLDER
B = BALLAST	C = CAPACITOR
F = FAN	P = POWER
R = RELAY (CONTACTOR)	T = TIMER
TB = TERMINAL BLOCK	ST = FACE TANNER STARTER
S = SWITCH	FT = FACE TANNER
TC = TEMPERATURE CONTROL	FB = FACE TANNER BALLAST

WARNING: ALTERING THE DESIGN, TIMER SYSTEM, OR WIRING FROM THAT SHOWN HEREIN, WILL VOID THE WARRANTY, AND MAY RESULT IN A VIOLATION OF FEDERAL LAW.

SUNQUEST PRO 24RS BENCH



FRONT OF BED

LL = LEFT LAMPHOLDER
 B = BALLAST
 F = FAN

RL = RIGHT LAMPHOLDER
 C = CAPACITOR
 P = POWER JACK



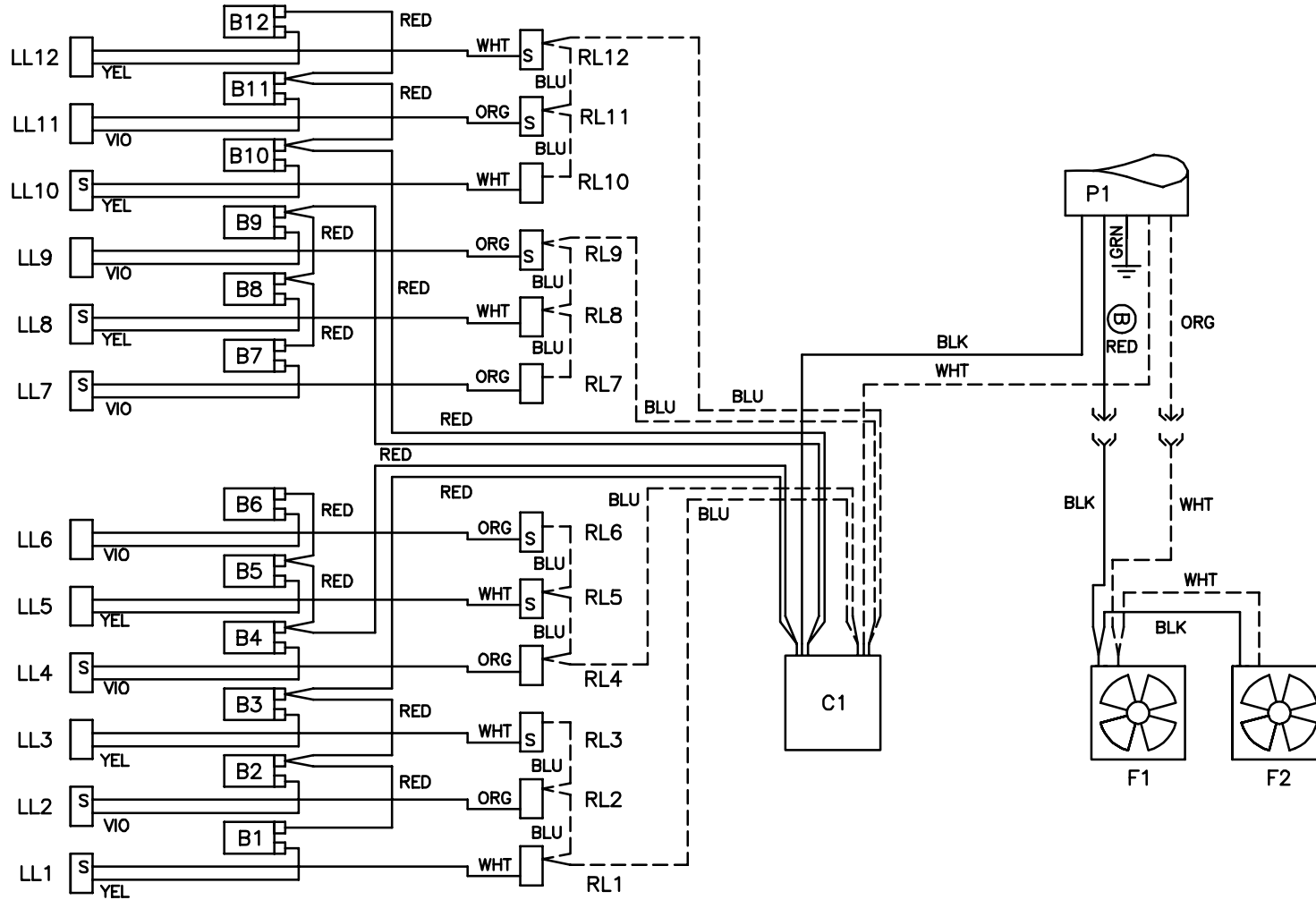
6220 CHURCHMAN BYPASS
 INDIANAPOLIS, IN 46203

20555 REV. E

SUNQUEST PRO 24RS BENCH

NOTE:

1. WIRE COLORS MAY NOT BE EXACTLY AS SHOWN



LL = LEFT LAMPHOLDER
 B = BALLAST
 F = FAN

RL = RIGHT LAMPHOLDER
 C = CAPACITOR
 P = POWER JACK

WARNING: ALTERING THE DESIGN, TIMER SYSTEM, OR WIRING FROM THAT SHOWN HEREIN, WILL VOID THE WARRANTY, AND MAY RESULT IN A VIOLATION OF FEDERAL LAW.