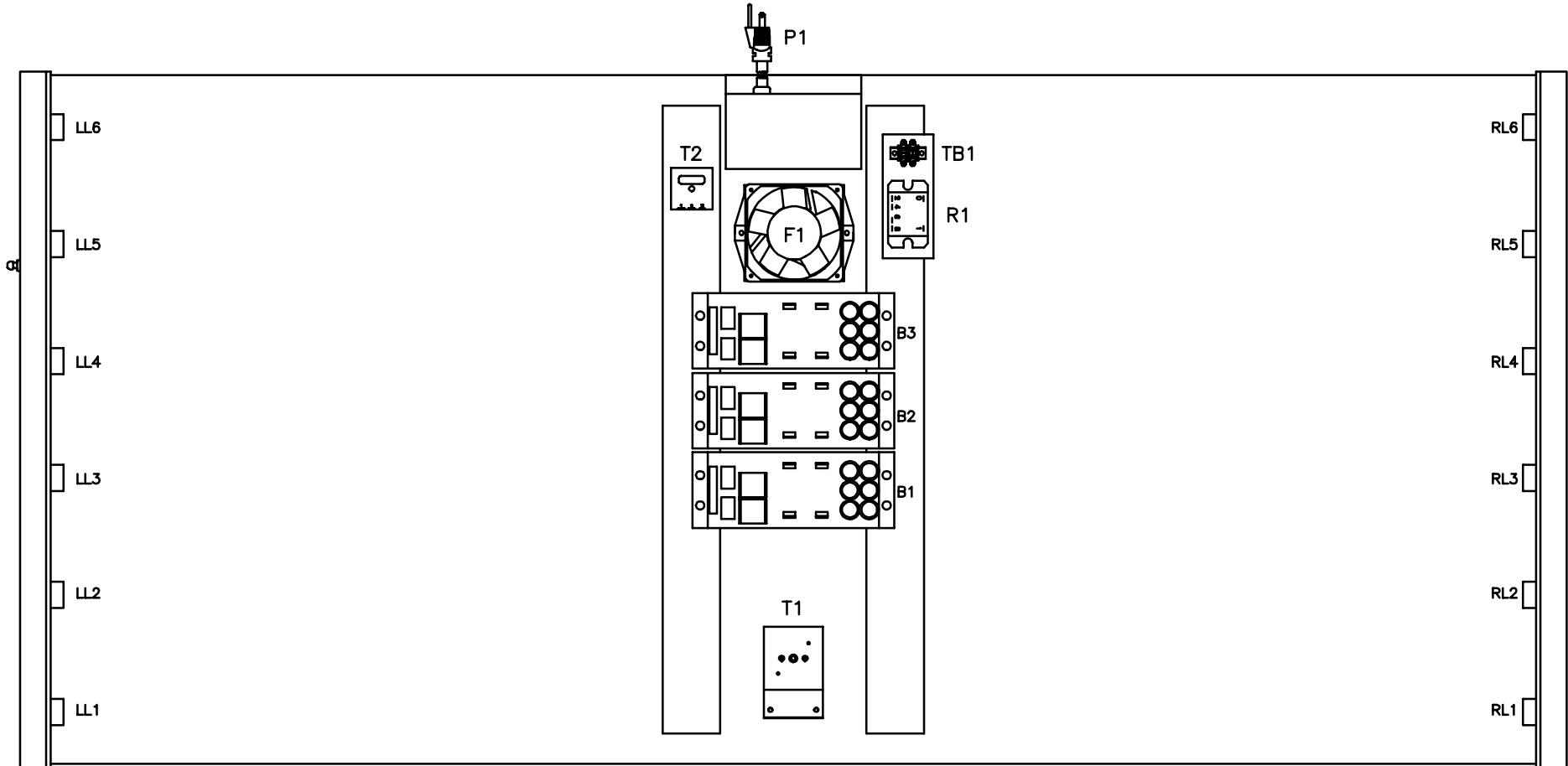


SUNQUEST 1000



LL = LEFT LAMP HOLDER
 F = FAN
 R = RELAY (CONTACTOR)
 TB = TERMINAL BLOCK

RL = RIGHT LAMP HOLDER
 P = POWER
 T = TIMER
 B = BALLAST

FRONT OF BED

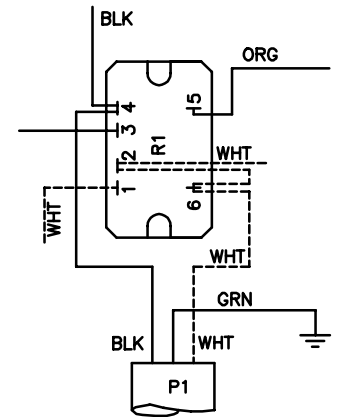
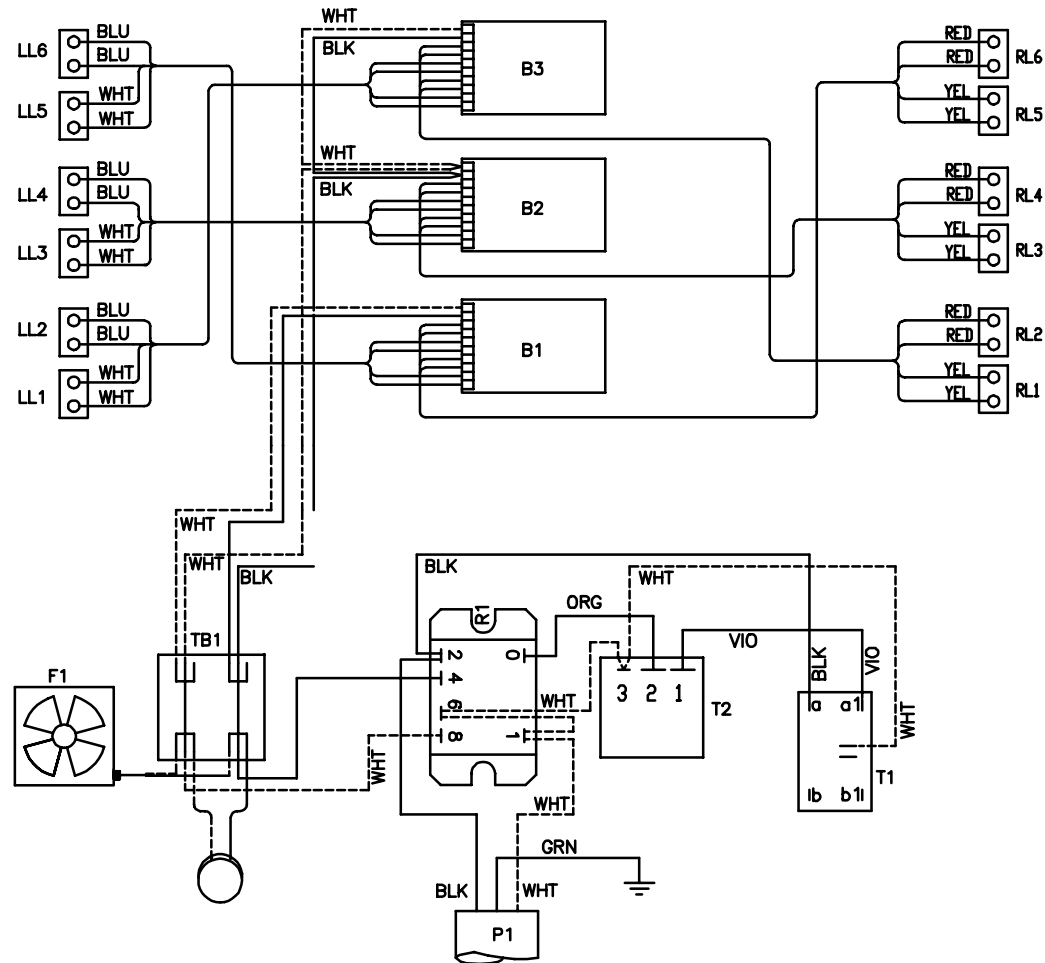
NOTE:

1. WIRE COLORS MAY NOT BE EXACTLY AS SHOWN

SUNQUEST 1000

LL = LEFT LAMP HOLDER
 F = FAN
 R = RELAY (CONTACTOR)
 TB = TERMINAL BLOCK

RL = RIGHT LAMP HOLDER
 P = POWER
 T = TIMER
 B = BALLAST



WIRING FOR SONG CHUAN RELAY

WIRING FOR OMRON RELAY

WARNING: ALTERING THE DESIGN, TIMER SYSTEM, OR WIRING FROM THAT SHOWN HEREIN, WILL VOID THE WARRANTY, AND MAY RESULT IN A VIOLATION OF FEDERAL LAW.