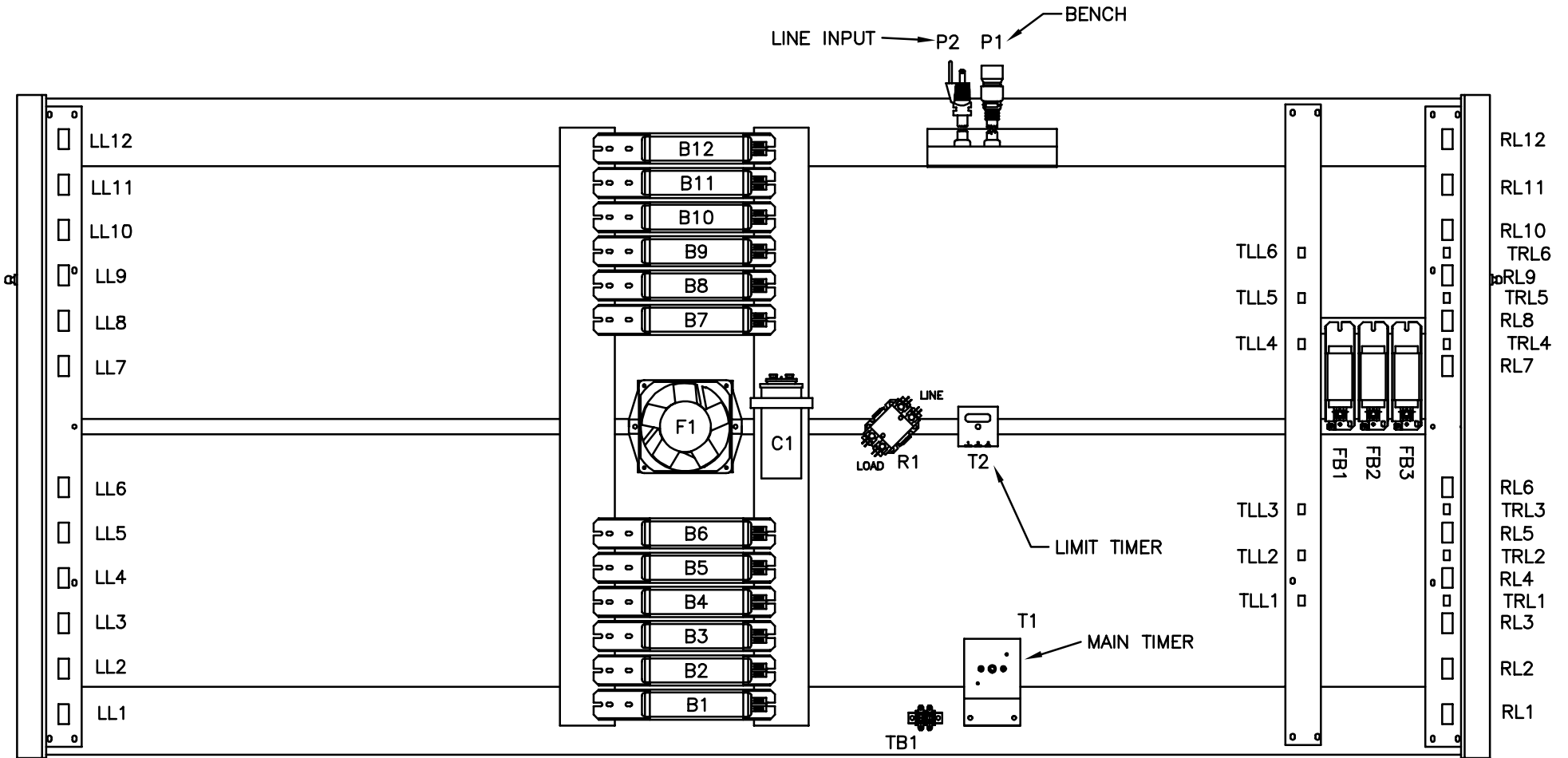


SUNQUEST PRO 24RST HOOD



LL = LEFT LAMP HOLDER
 B = BALLAST
 F = FAN
 R = RELAY (CONTACTOR)
 TB = TERMINAL BLOCK
 S = SWITCH
 FB = FACE TANNER BALLAST

RL = RIGHT LAMP HOLDER
 C = CAPACITOR
 P = POWER
 T = TIMER
 TLL = TURBO LEFT LAMP HOLDER
 TRL = TURBO RIGHT LAMP HOLDER

FRONT OF BED



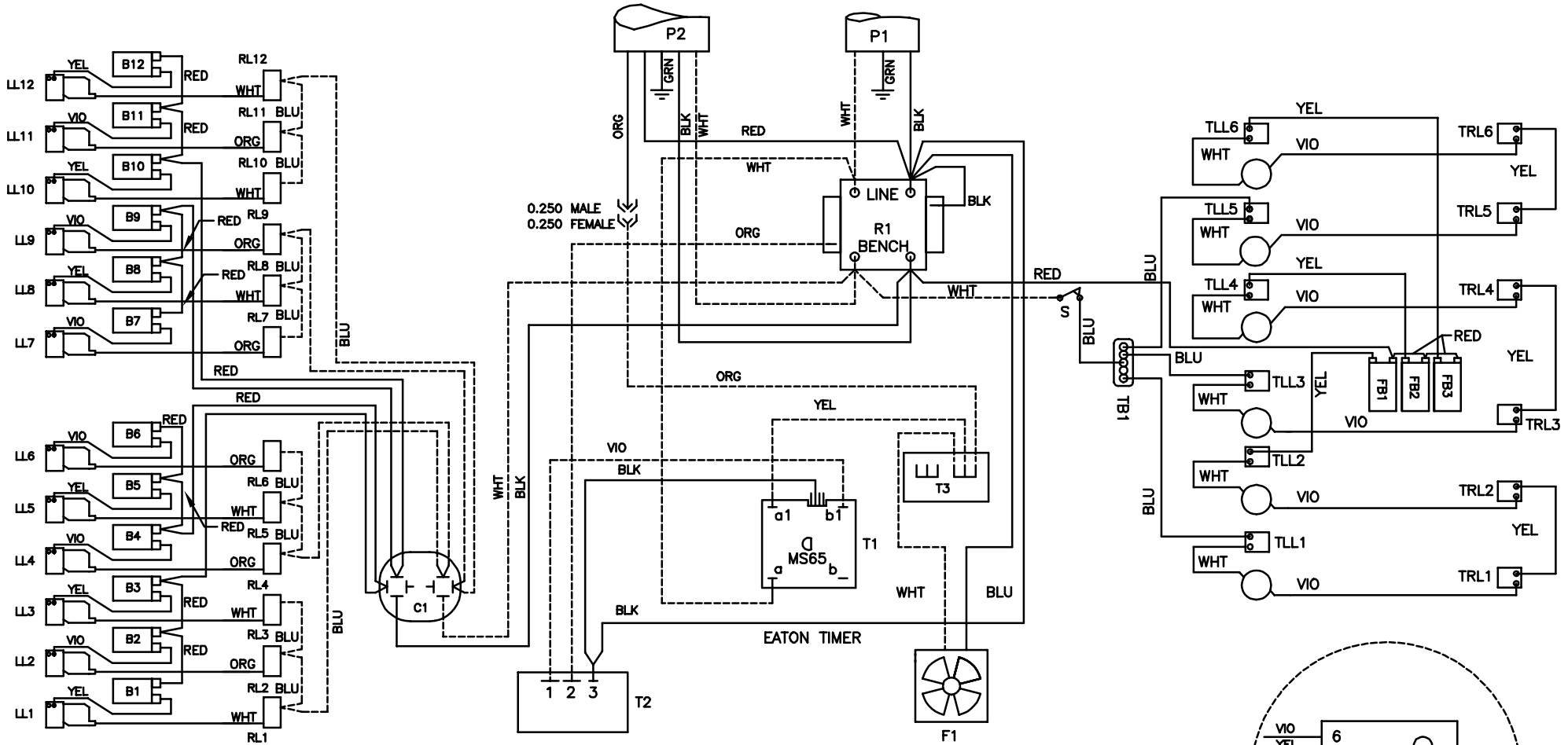
6220 CHURCHMAN BYPASS
INDIANAPOLIS, IN 46203

20825 REV. B

NOTE:
1. WIRE COLORS MAY NOT BE
EXACTLY AS SHOWN

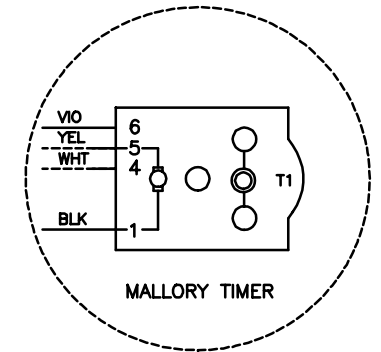
SUNQUEST PRO 24RST HOOD

WARNING: ALTERING THE DESIGN, TIMER SYSTEM, OR WIRING FROM THAT SHOWN
HEREIN, WILL VOID THE WARRANTY, AND MAY RESULT IN A VIOLATION
OF FEDERAL LAW.

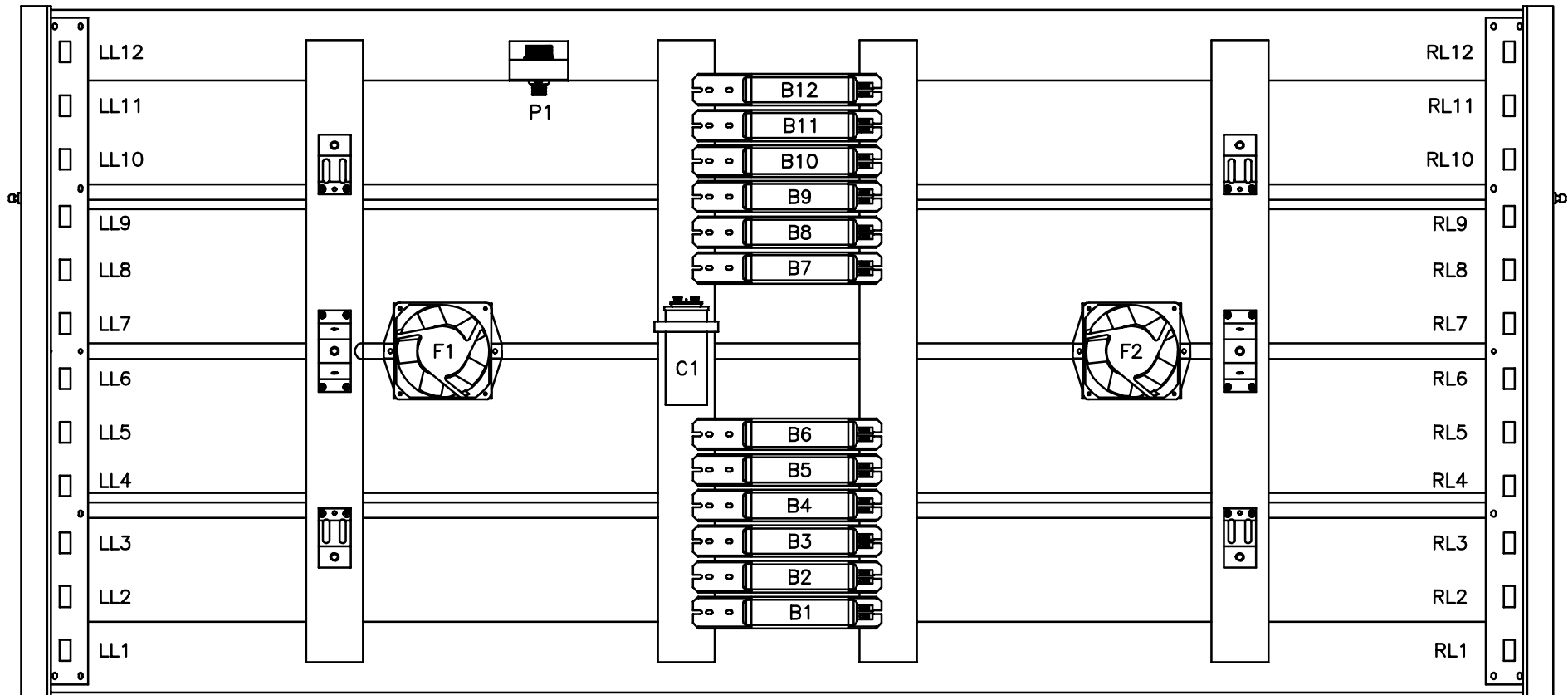


LL = LEFT LAMP HOLDER
B = BALLAST
F = FAN
R = RELAY (CONTACTOR)
TB = TERMINAL BLOCK
S = SWITCH
FB = FACE TANNER BALLAST

RL = RIGHT LAMP HOLDER
C = CAPACITOR
P = POWER
T = TIMER
TLL = TURBO LEFT LAMPHOLDER
TRL = TURBO RIGHT LAMPHOLDER



SUNQUEST PRO 24RS BENCH



FRONT OF BED

LL = LEFT LAMPHOLDER
 B = BALLAST
 F = FAN

RL = RIGHT LAMPHOLDER
 C = CAPACITOR
 P = POWER JACK



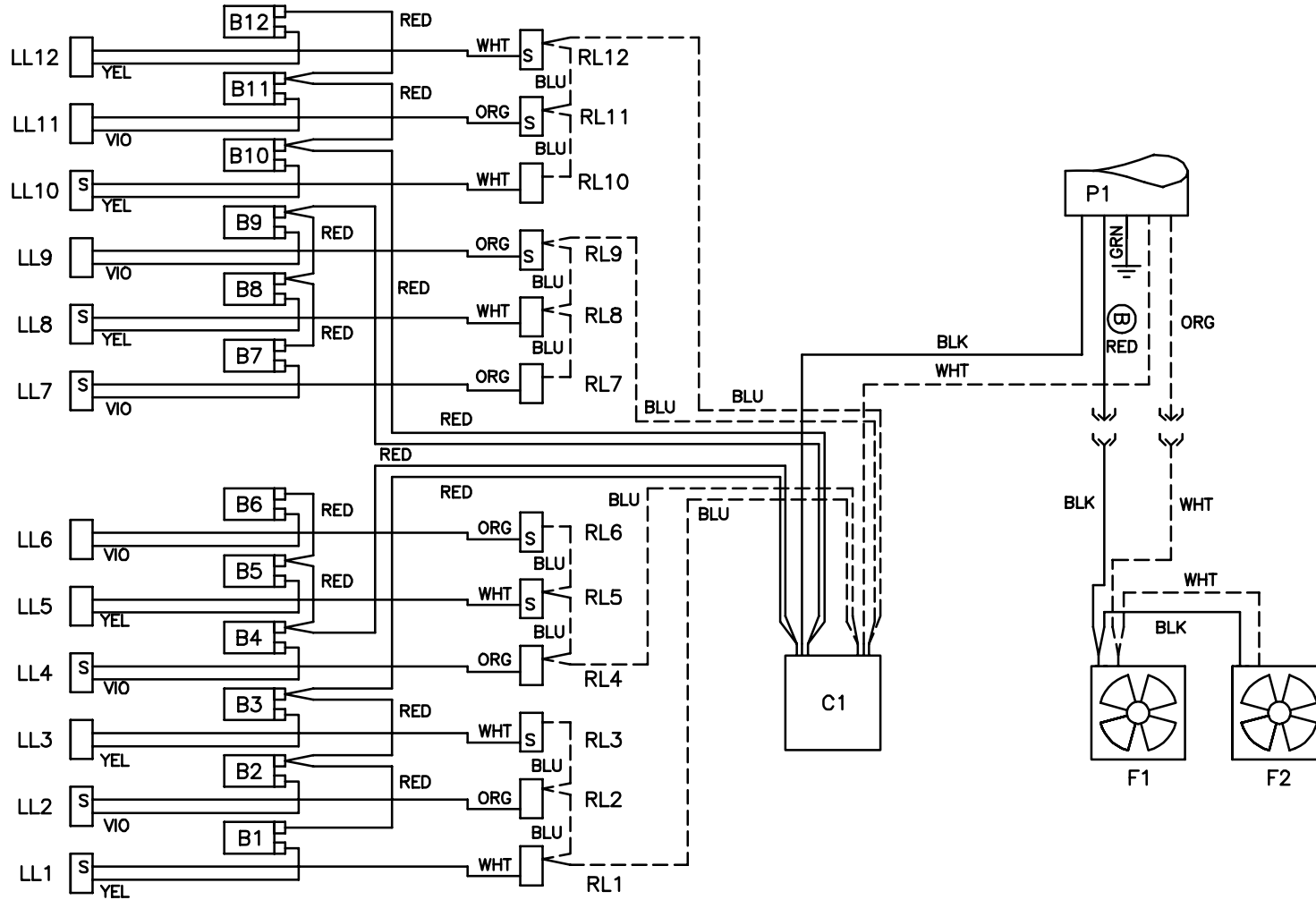
6220 CHURCHMAN BYPASS
 INDIANAPOLIS, IN 46203

20555 REV. E

SUNQUEST PRO 24RS BENCH

NOTE:

1. WIRE COLORS MAY NOT BE EXACTLY AS SHOWN



LL = LEFT LAMPHOLDER
 B = BALLAST
 F = FAN

RL = RIGHT LAMPHOLDER
 C = CAPACITOR
 P = POWER JACK

WARNING: ALTERING THE DESIGN, TIMER SYSTEM, OR WIRING FROM THAT SHOWN HEREIN, WILL VOID THE WARRANTY, AND MAY RESULT IN A VIOLATION OF FEDERAL LAW.