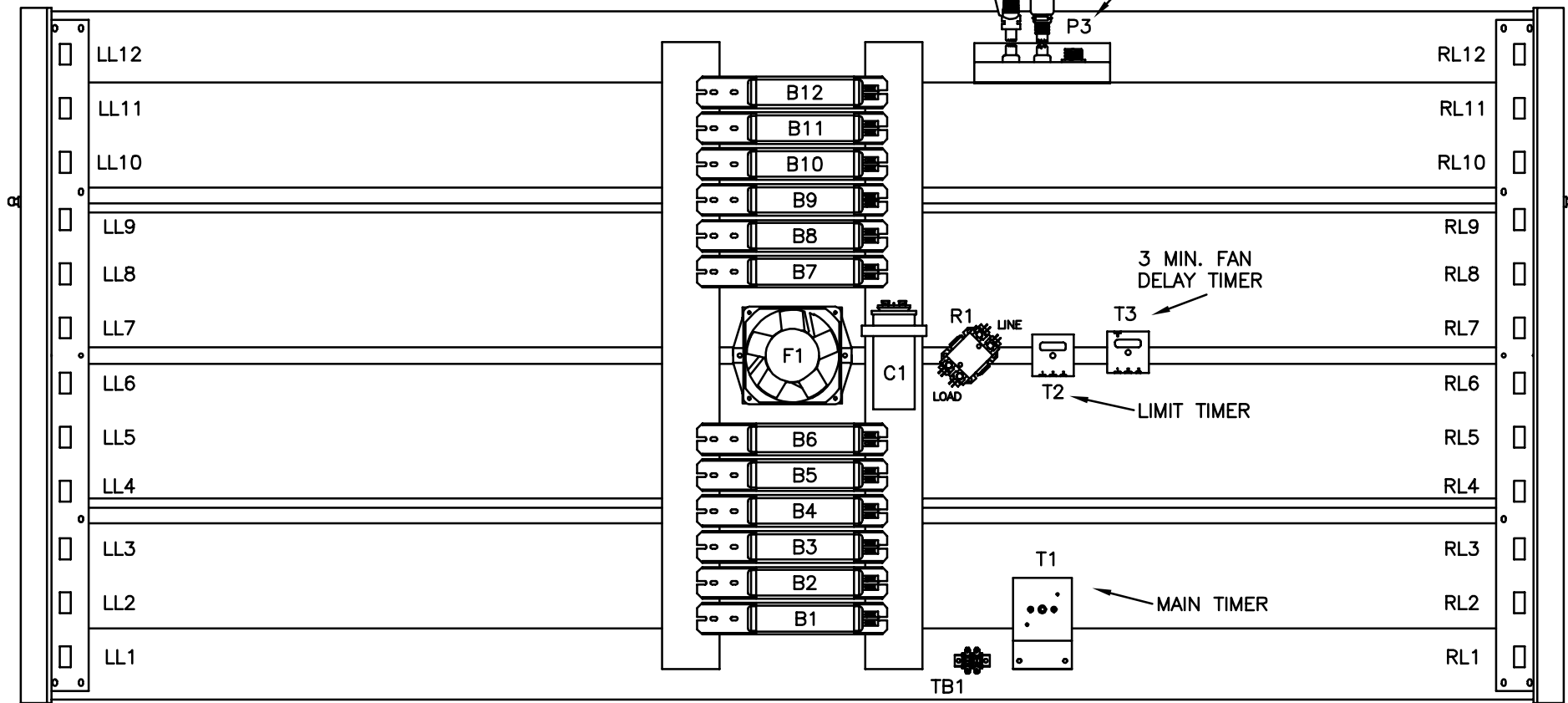


# SUNVISION PRO 24S HOOD

LINE INPUT → P1 P2  
 BENCH  
 REMOTE  
 P3



FRONT OF BED

LL = LEFT LAMPHOLDER  
 B = BALLAST  
 F = FAN  
 R = RELAY (CONTACTOR)  
 TB = TERMINAL BLOCK

RL = RIGHT LAMPHOLDER  
 C = CAPACITOR  
 P = POWER  
 T = TIMER

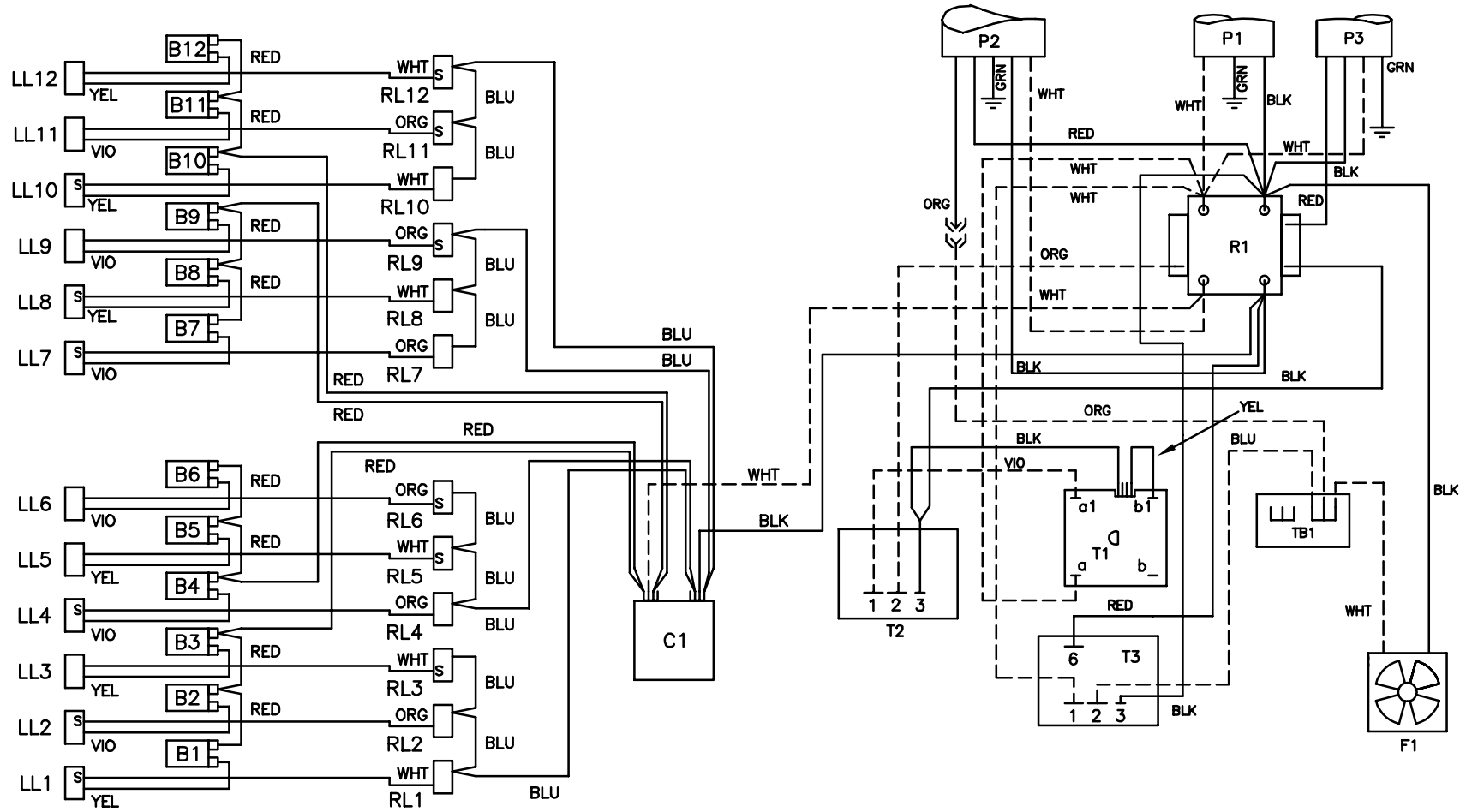


6220 CHURCHMAN BYPASS  
 INDIANAPOLIS, IN 46203

20920 REV. D

# SUNVISION PRO 24S HOOD

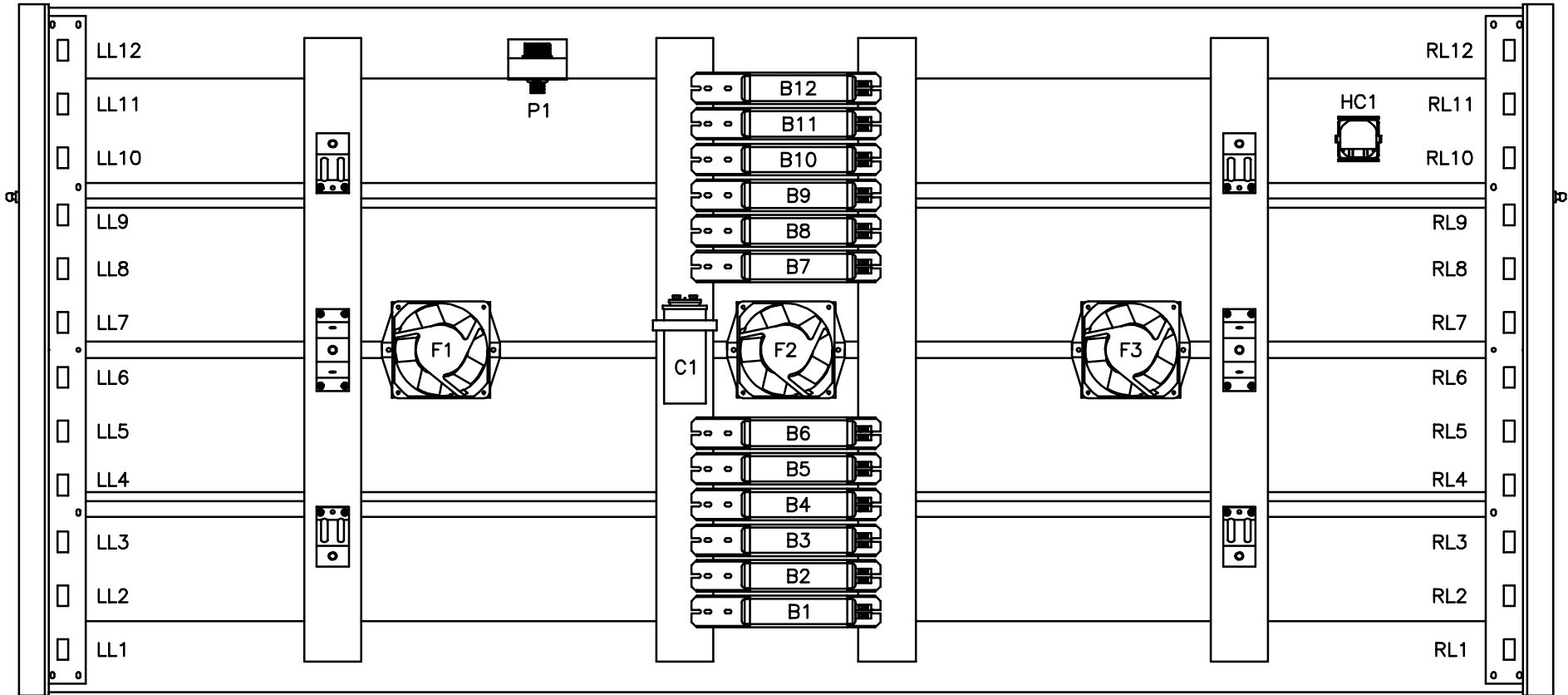
NOTE:  
1. WIRE COLORS MAY NOT BE EXACTLY AS SHOWN



LL = LEFT LAMPHOLDER	RL = RIGHT LAMPHOLDER
B = BALLAST	C = CAPACITOR
F = FAN	P = POWER
R = RELAY (CONTACTOR)	T = TIMER
TB = TERMINAL BLOCK	

**WARNING: ALTERING THE DESIGN, TIMER SYSTEM, OR WIRING FROM THAT SHOWN HEREIN, WILL VOID THE WARRANTY, AND MAY RESULT IN A VIOLATION OF FEDERAL LAW.**

# SUNVISION PRO 24S BENCH



FRONT OF BED

LL = LEFT LAMPHOLDER  
 B = BALLAST  
 F = FAN  
 HC = HOUR COUNTER

RL = RIGHT LAMPHOLDER  
 C = CAPACITOR  
 P = POWER JACK



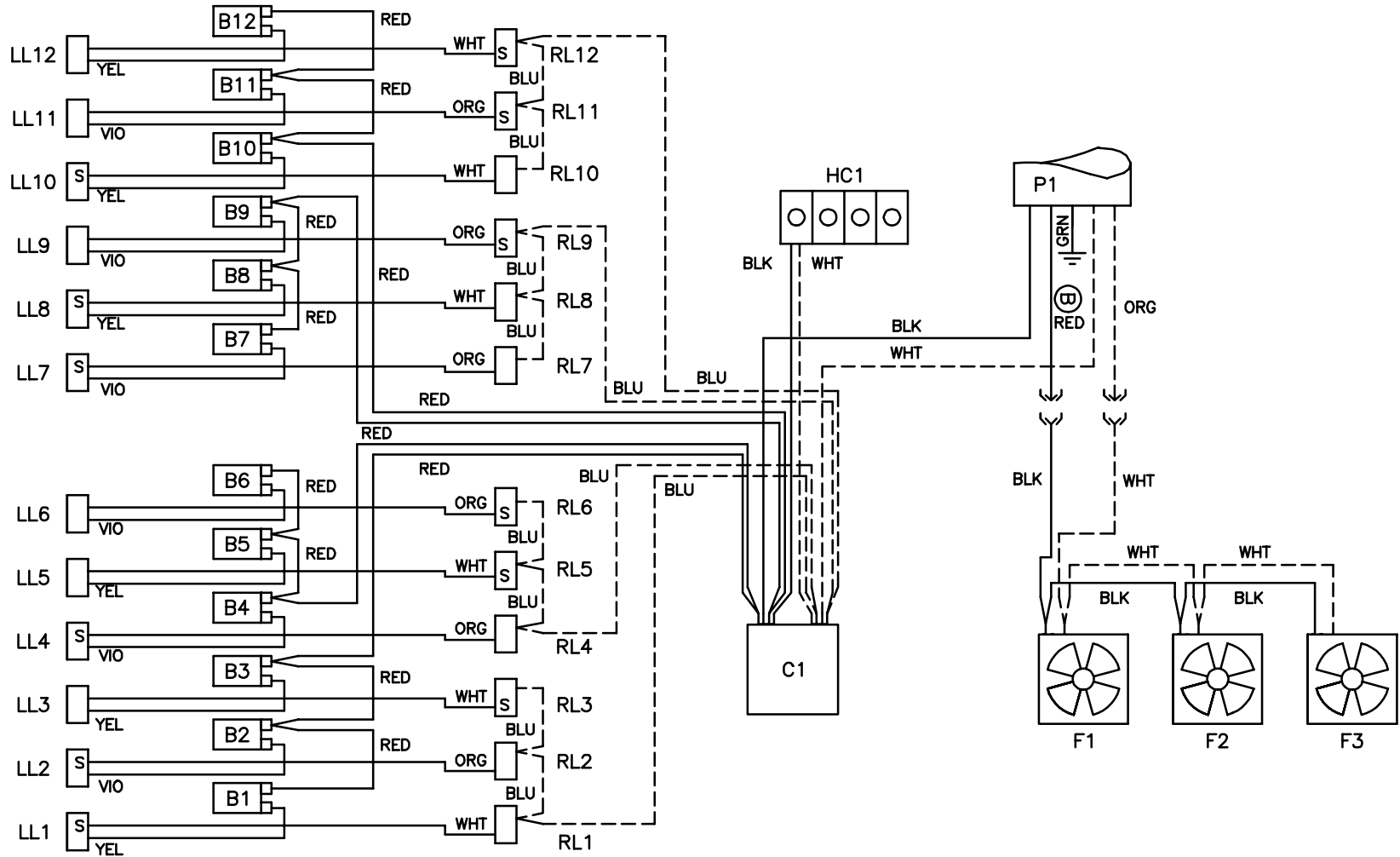
6220 CHURCHMAN BYPASS  
 INDIANAPOLIS, IN 46203

20551 REV. E

NOTE:

1. WIRE COLORS MAY NOT BE EXACTLY AS SHOWN

# SUNVISION PRO 24S BENCH



LL = LEFT LAMPHOLDER  
 B = BALLAST  
 F = FAN  
 HC = HOUR COUNTER

RL = RIGHT LAMPHOLDER  
 C = CAPACITOR  
 P = POWER JACK

**WARNING: ALTERING THE DESIGN, TIMER SYSTEM, OR WIRING FROM THAT SHOWN HEREIN, WILL VOID THE WARRANTY, AND MAY RESULT IN A VIOLATION OF FEDERAL LAW.**