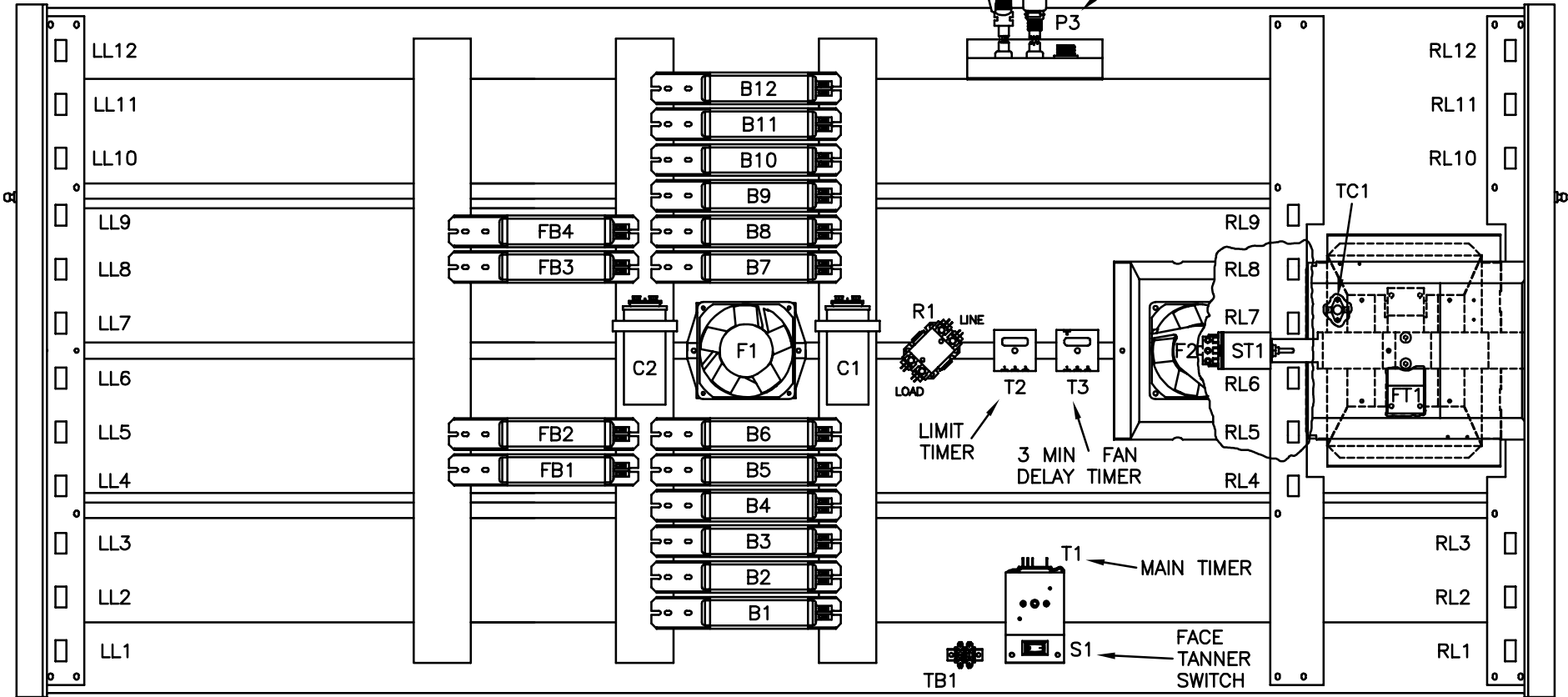


# SUNQUEST PRO 24SF HOOD

LINE INPUT → P1 P2  
 BENCH  
 REMOTE  
 P3



FRONT OF BED

- |                          |                          |
|--------------------------|--------------------------|
| LL = LEFT LAMP HOLDER    | RL = RIGHT LAMP HOLDER   |
| B = BALLAST              | C = CAPACITOR            |
| F = FAN                  | P = POWER                |
| R = RELAY (CONTACTOR)    | T = TIMER                |
| TB = TERMINAL BLOCK      | ST = FACE TANNER STARTER |
| S = SWITCH               | FT = FACE TANNER         |
| TC = TEMPERATURE CONTROL | FB = FACE TANNER BALLAST |



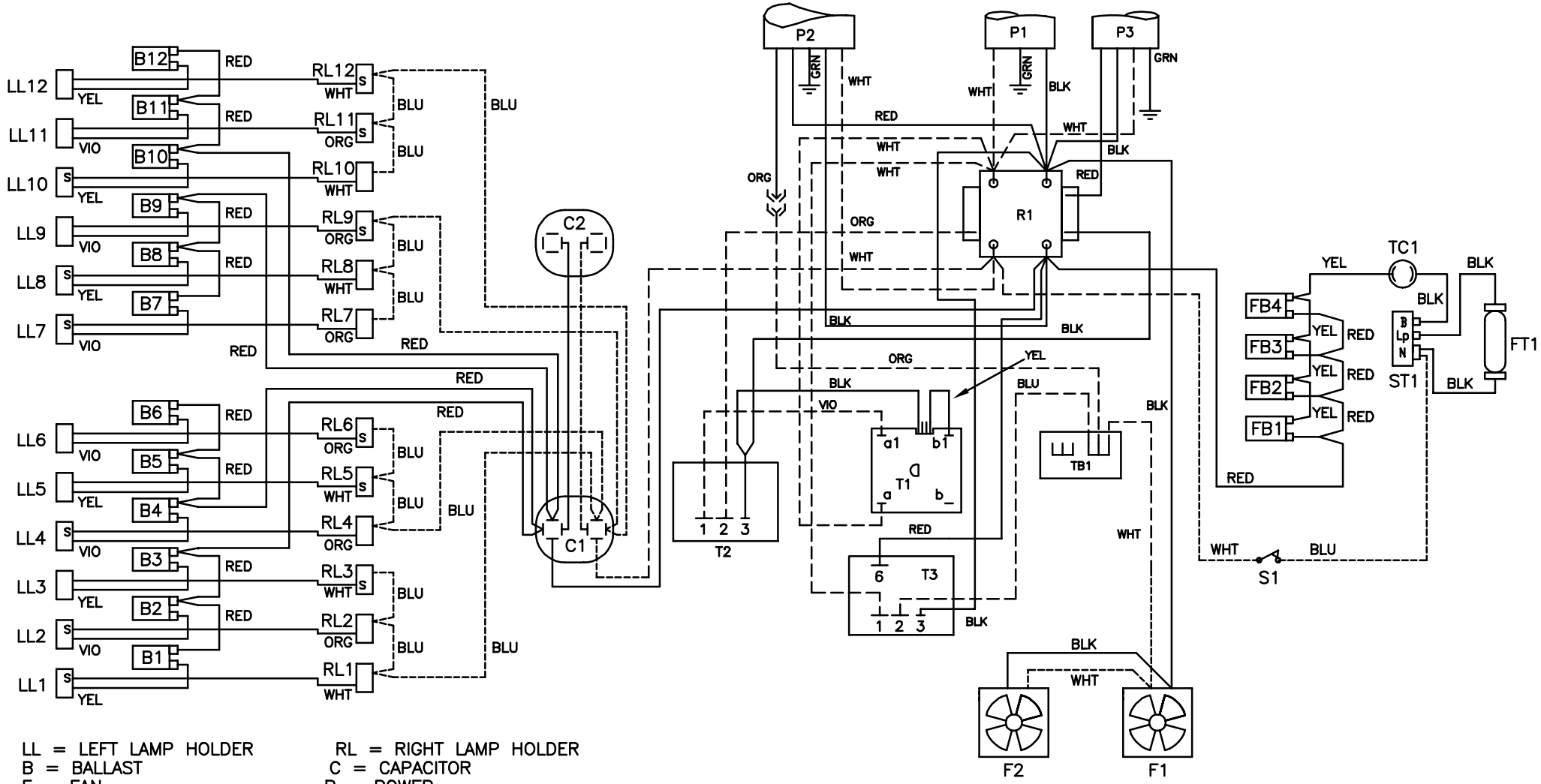
6220 CHURCHMAN BYPASS  
 INDIANAPOLIS, IN 46203

20922 REV D

NOTE:

1. WIRE COLORS MAY NOT BE EXACTLY AS SHOWN

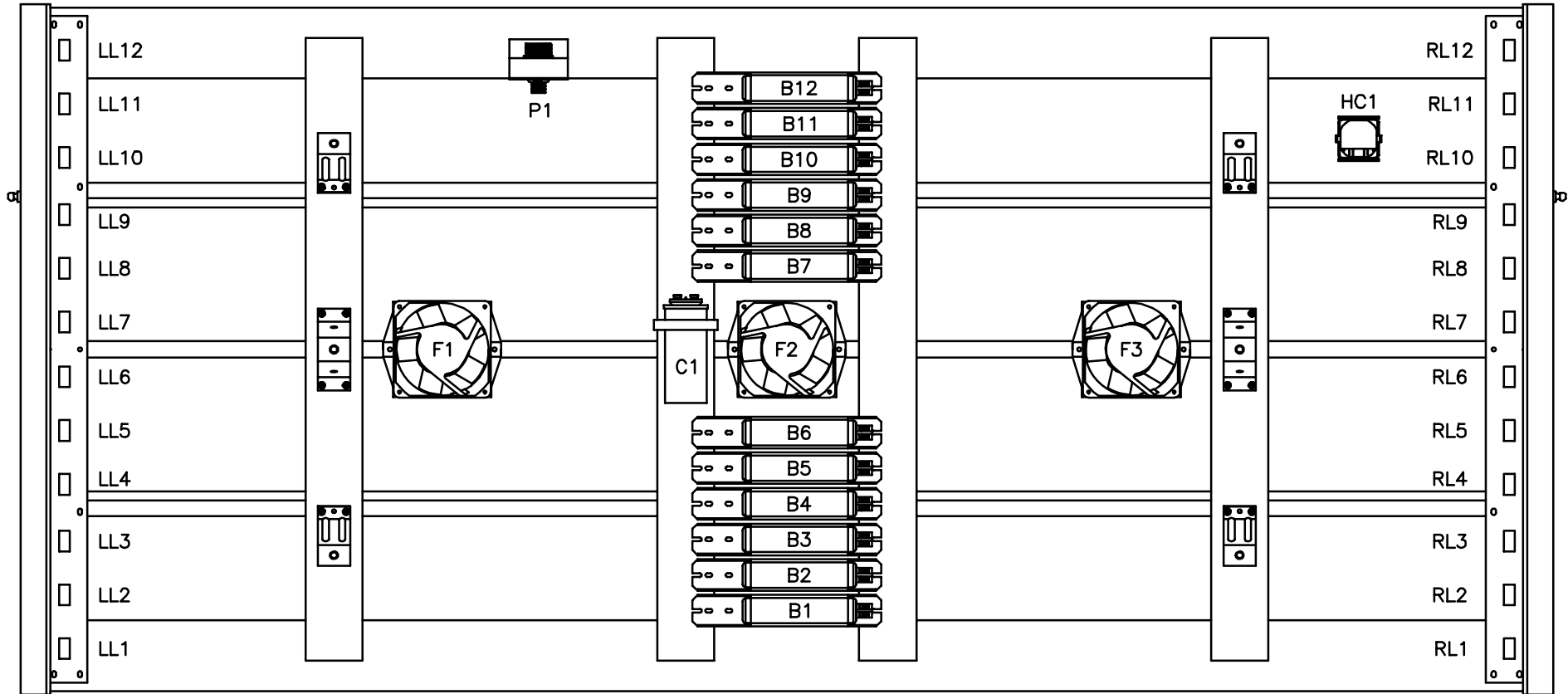
# SUNQUEST PRO 24SF HOOD



LL = LEFT LAMP HOLDER	RL = RIGHT LAMP HOLDER
B = BALLAST	C = CAPACITOR
F = FAN	P = POWER
R = RELAY (CONTACTOR)	T = TIMER
TB = TERMINAL BLOCK	ST = FACE TANNER STARTER
S = SWITCH	FT = FACE TANNER
TC = TEMPERATURE CONTROL	FB = FACE TANNER BALLAST

**WARNING: ALTERING THE DESIGN, TIMER SYSTEM, OR WIRING FROM THAT SHOWN HEREIN, WILL VOID THE WARRANTY, AND MAY RESULT IN A VIOLATION OF FEDERAL LAW.**

# SUNVISION PRO 24S BENCH



FRONT OF BED

LL = LEFT LAMPHOLDER  
 B = BALLAST  
 F = FAN  
 HC = HOUR COUNTER

RL = RIGHT LAMPHOLDER  
 C = CAPACITOR  
 P = POWER JACK



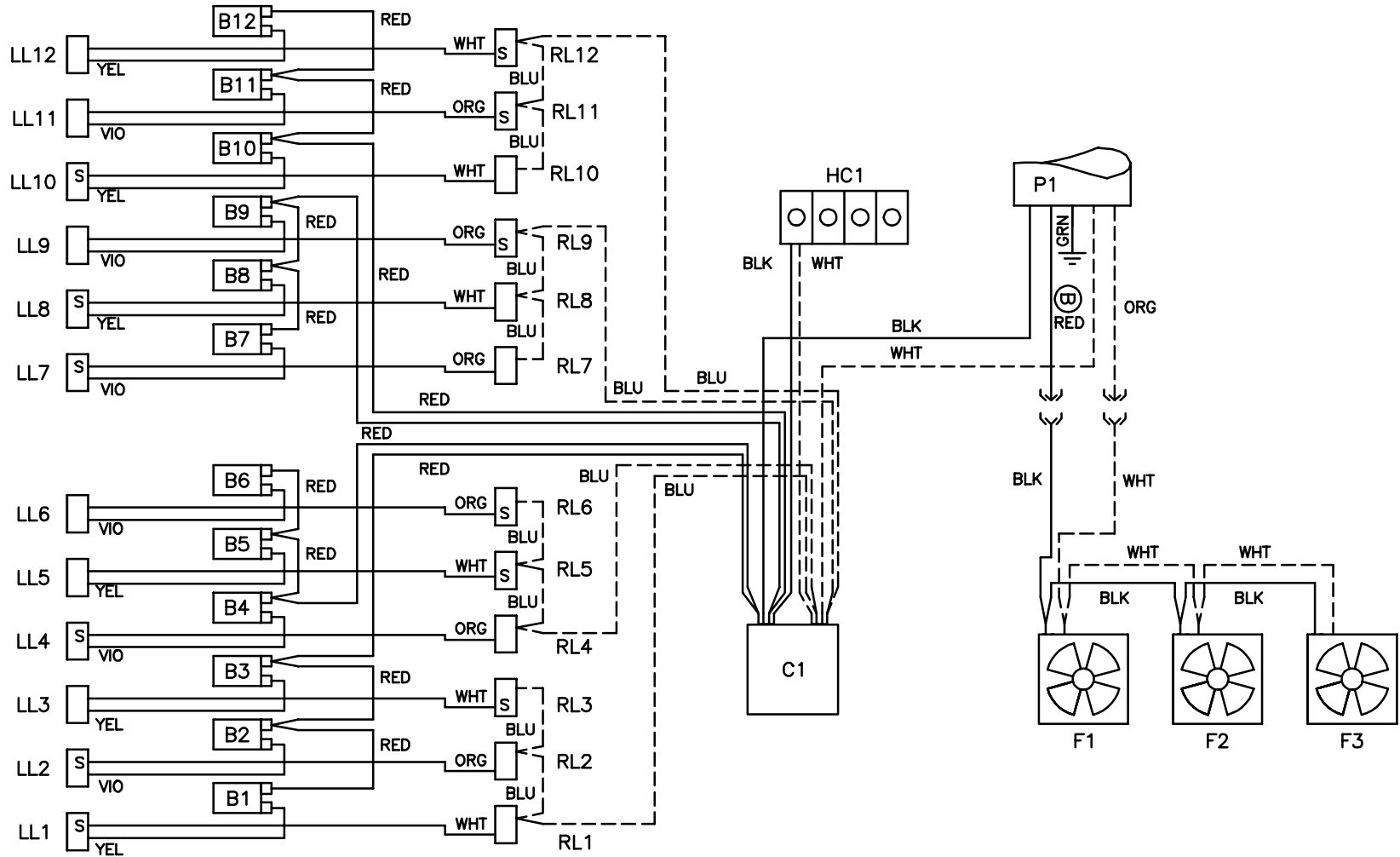
6220 CHURCHMAN BYPASS  
 INDIANAPOLIS, IN 46203

20551 REV. E

NOTE:

1. WIRE COLORS MAY NOT BE EXACTLY AS SHOWN

# SUNVISION PRO 24S BENCH



LL = LEFT LAMPHOLDER  
 B = BALLAST  
 F = FAN  
 HC = HOUR COUNTER

RL = RIGHT LAMPHOLDER  
 C = CAPACITOR  
 P = POWER JACK

**WARNING: ALTERING THE DESIGN, TIMER SYSTEM, OR WIRING FROM THAT SHOWN HEREIN, WILL VOID THE WARRANTY, AND MAY RESULT IN A VIOLATION OF FEDERAL LAW.**