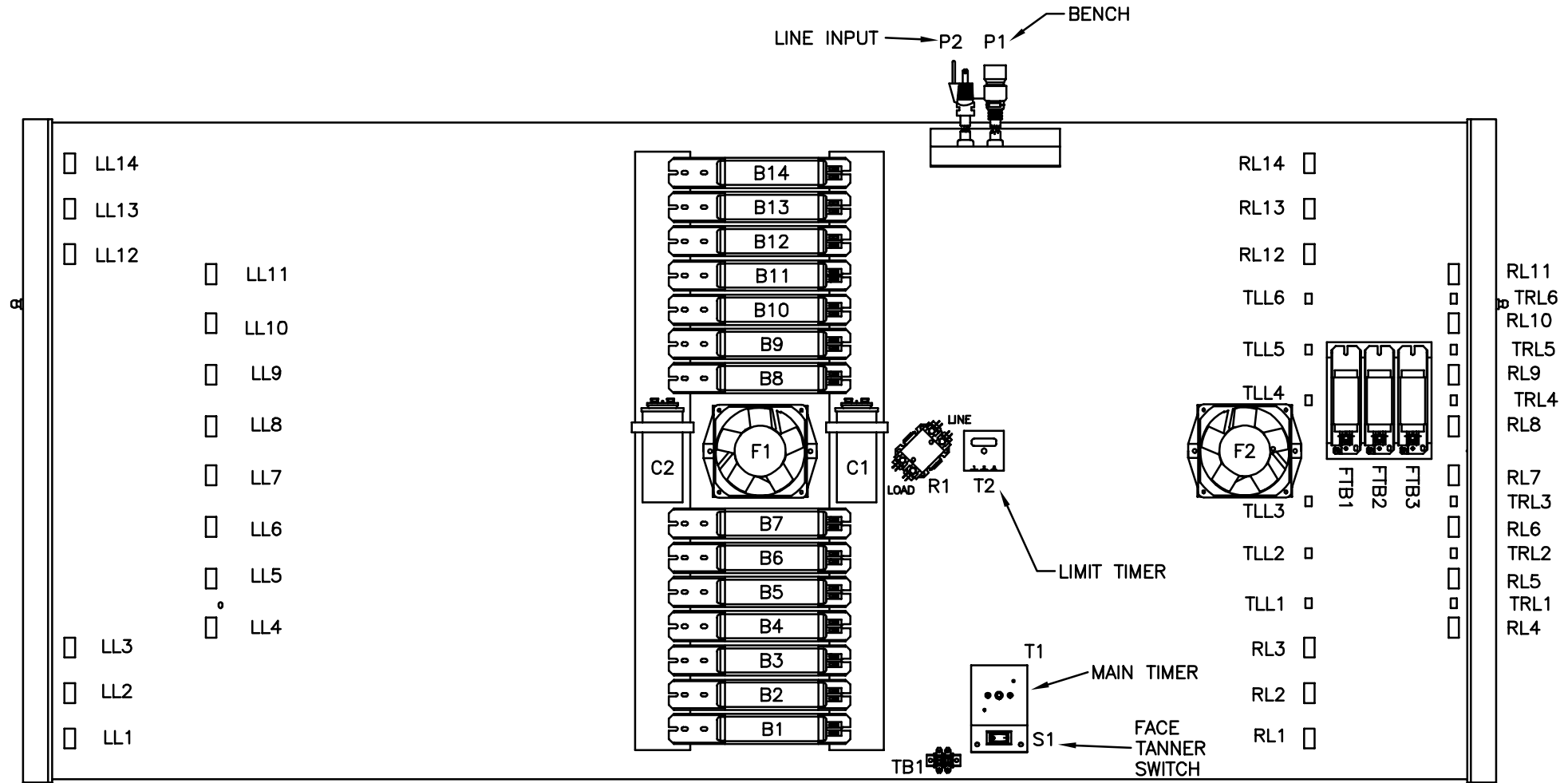


# SUNQUEST 26RST HOOD



FRONT OF BED

LL = LEFT LAMPHOLDER  
B = BALLAST  
F = FAN  
R = RELAY (CONTACTOR)  
TB = TERMINAL BLOCK

RL = RIGHT LAMPHOLDER  
C = CAPACITOR  
P = POWER  
T = TIMER

TLL = TURBO LEFT LAMPHOLDER  
TRL = TURBO RIGHT LAMPHOLDER  
FTB = FACE TAN BALLAST

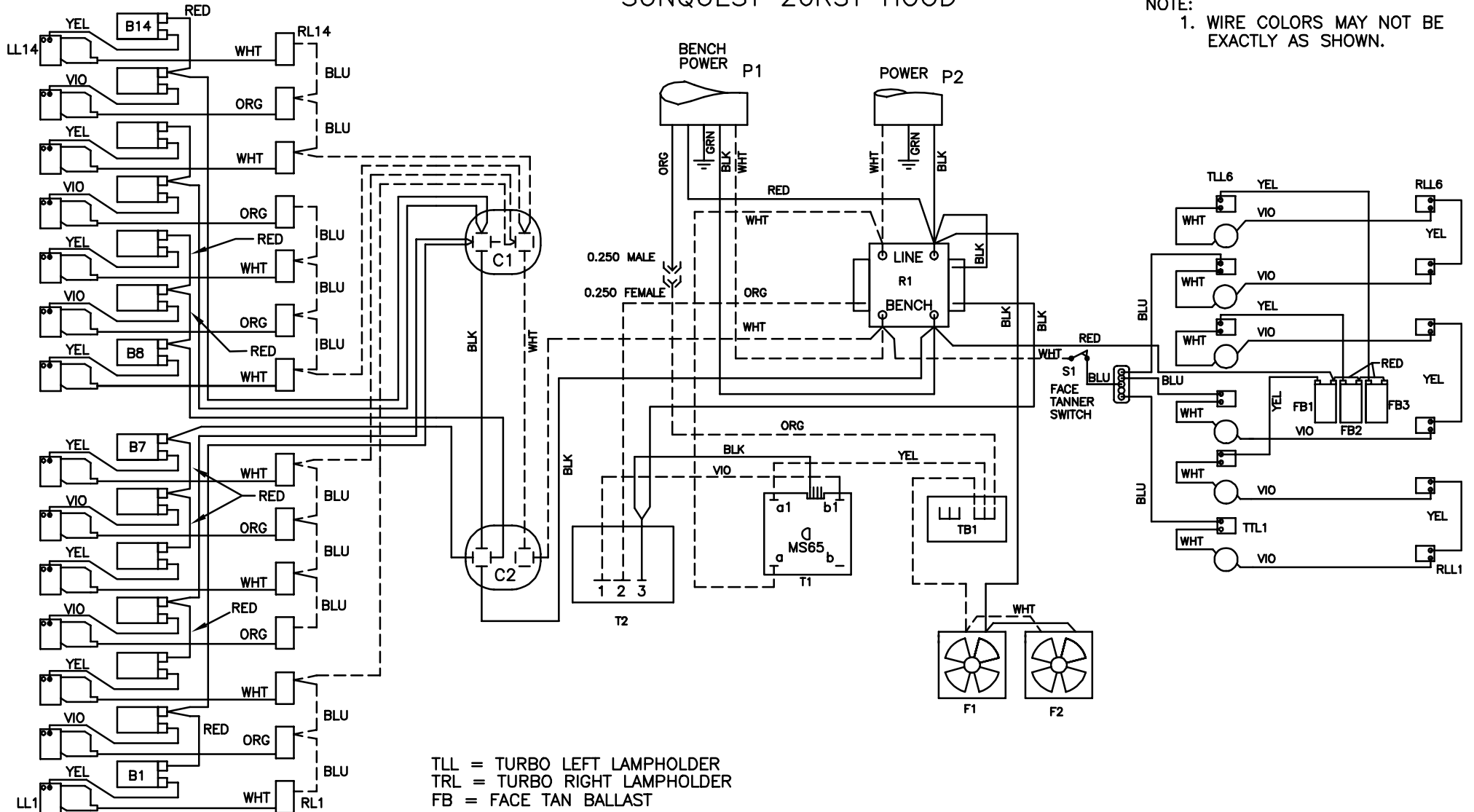


6220 CHURCHMAN BYPASS  
INDIANAPOLIS, IN 46203

21241 REV. B

# SUNQUEST 26RST HOOD

NOTE:  
1. WIRE COLORS MAY NOT BE EXACTLY AS SHOWN.



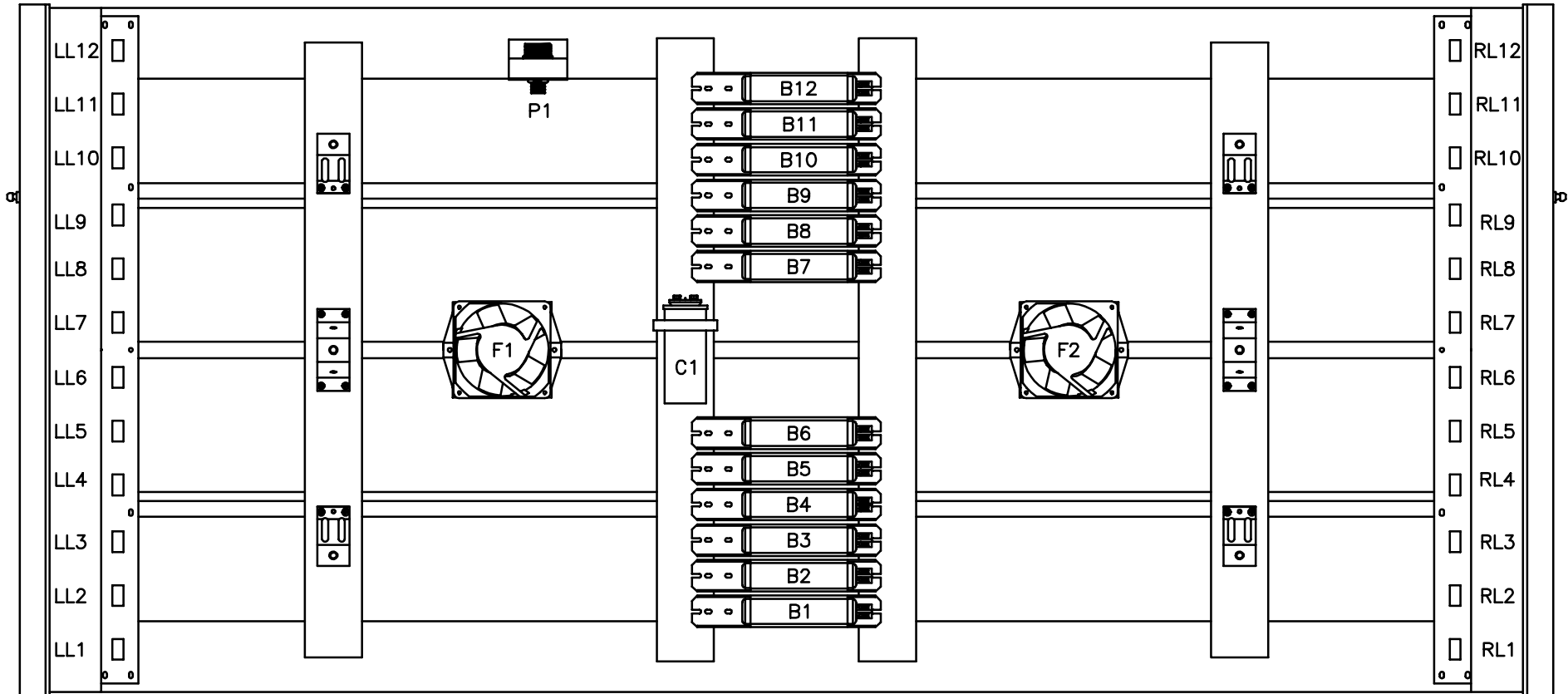
TLL = TURBO LEFT LAMPHOLDER  
 TRL = TURBO RIGHT LAMPHOLDER  
 FB = FACE TAN BALLAST  
 S = SWITCH

LL = LEFT LAMPHOLDER  
 B = BALLAST  
 F = FAN  
 R = RELAY (CONTACTOR)  
 TB = TERMINAL BLOCK

RL = RIGHT LAMPHOLDER  
 C = CAPACITOR  
 P = POWER  
 T = TIMER

**WARNING: ALTERING THE DESIGN, TIMER SYSTEM, OR WIRING FROM THAT SHOWN HEREIN, WILL VOID THE WARRANTY, AND MAY RESULT IN A VIOLATION OF FEDERAL LAW.**

# SUNQUEST PRO 26RS BENCH



LL = LEFT LAMPHOLDER  
 B = BALLAST  
 F = FAN

RL = RIGHT LAMPHOLDER  
 C = CAPACITOR  
 P = POWER JACK

FRONT OF BED

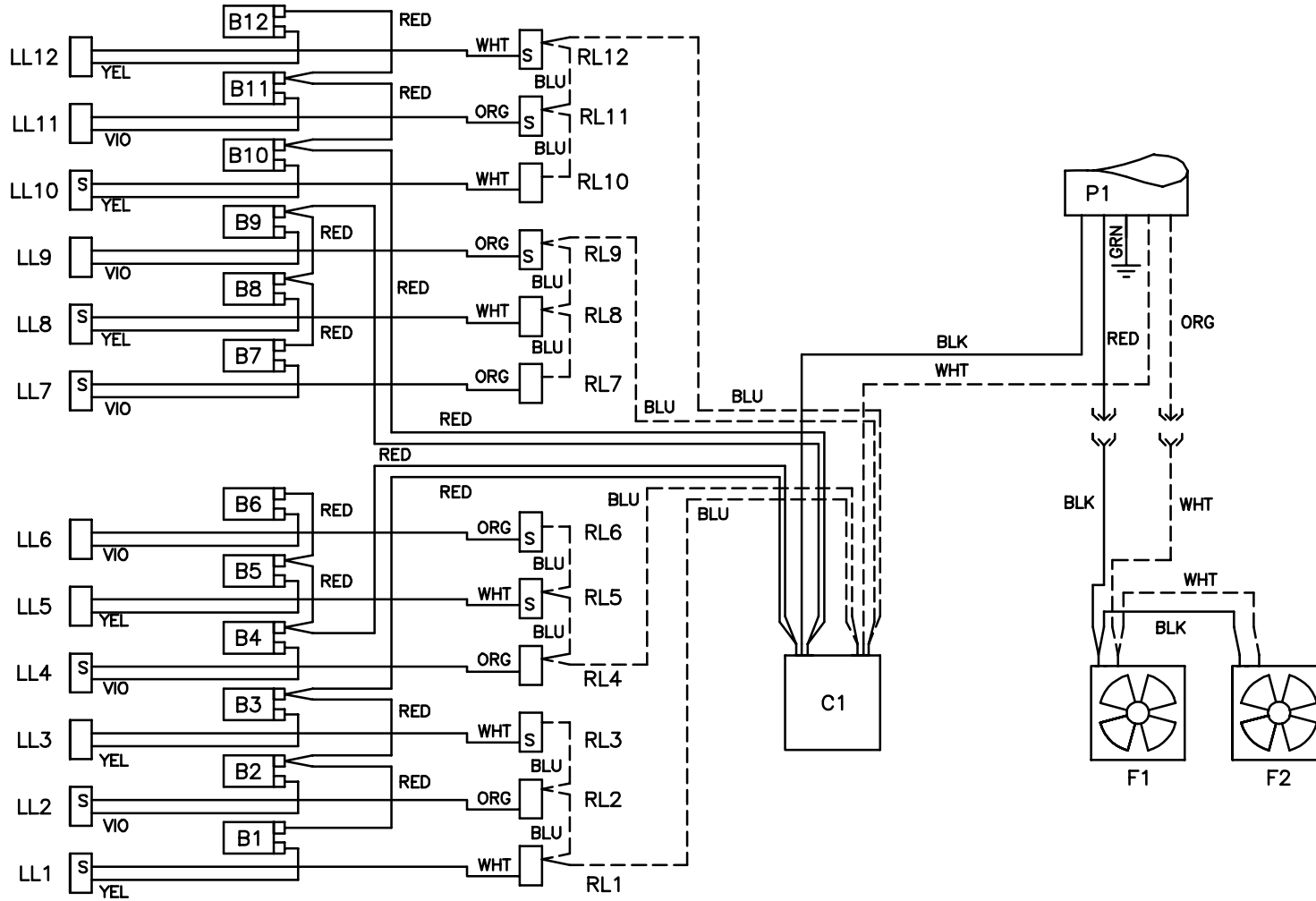


6220 CHURCHMAN BYPASS  
 INDIANAPOLIS, IN 46203

21574 REV. B

# SUNQUEST PRO 26RS BENCH

NOTE:  
1. WIRE COLORS MAY NOT BE EXACTLY AS SHOWN



LL = LEFT LAMPHOLDER  
B = BALLAST  
F = FAN  
S = STARTER

RL = RIGHT LAMPHOLDER  
C = CAPACITOR  
P = POWER JACK

WARNING: ALTERING THE DESIGN, TIMER SYSTEM, OR WIRING FROM THAT SHOWN HEREIN, WILL VOID THE WARRANTY, AND MAY RESULT IN A VIOLATION OF FEDERAL LAW.