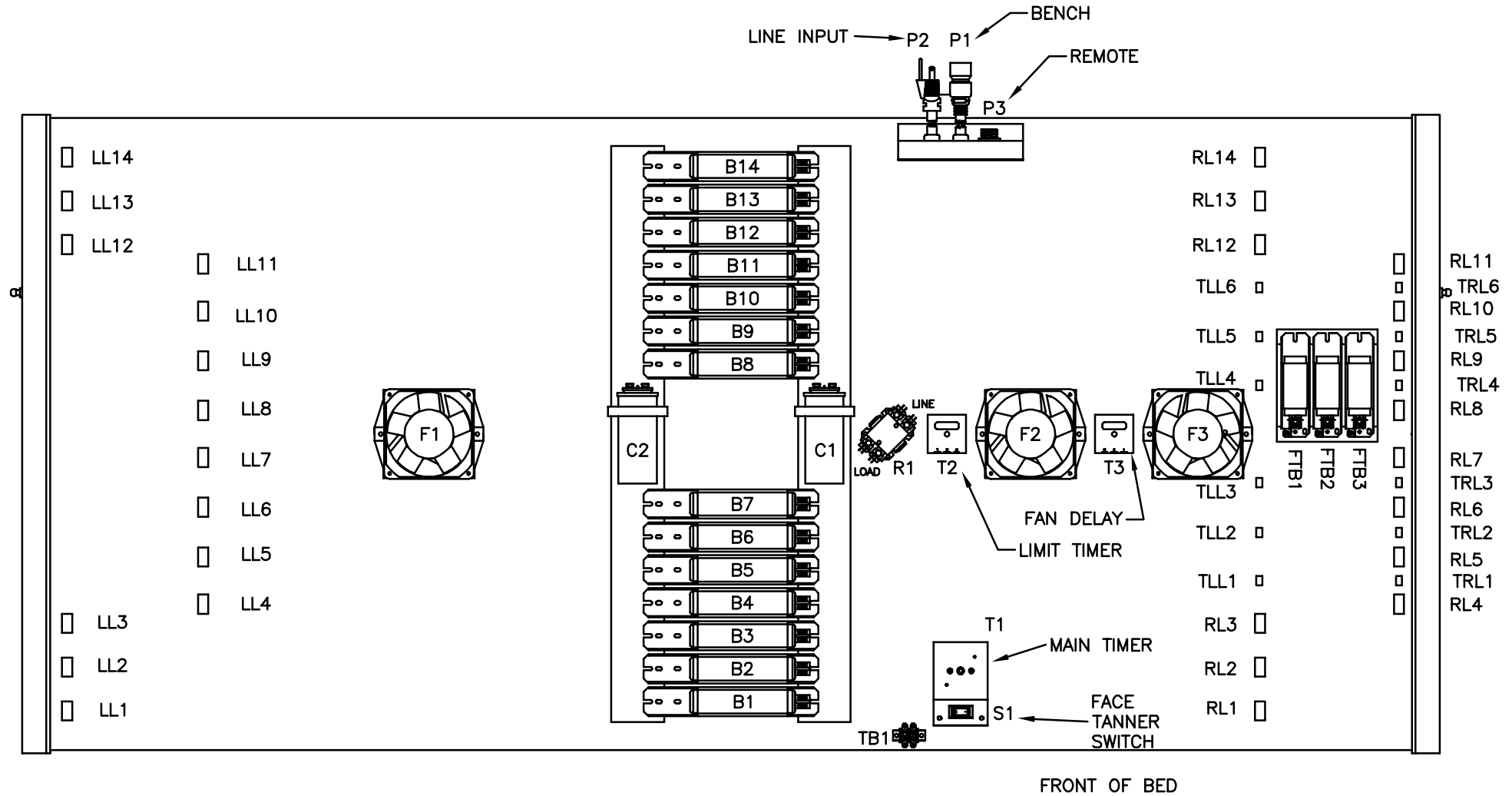


SUNVISION PRO 28LXT HOOD



LL = LEFT LAMPHOLDER
 B = BALLAST
 F = FAN
 R = RELAY (CONTACTOR)
 TB = TERMINAL BLOCK

RL = RIGHT LAMPHOLDER
 C = CAPACITOR
 P = POWER
 T = TIMER
 S = SWITCH

TLL = TURBO LEFT LAMPHOLDER
 TRL = TURBO RIGHT LAMPHOLDER
 FTB = FACE TAN BALLAST

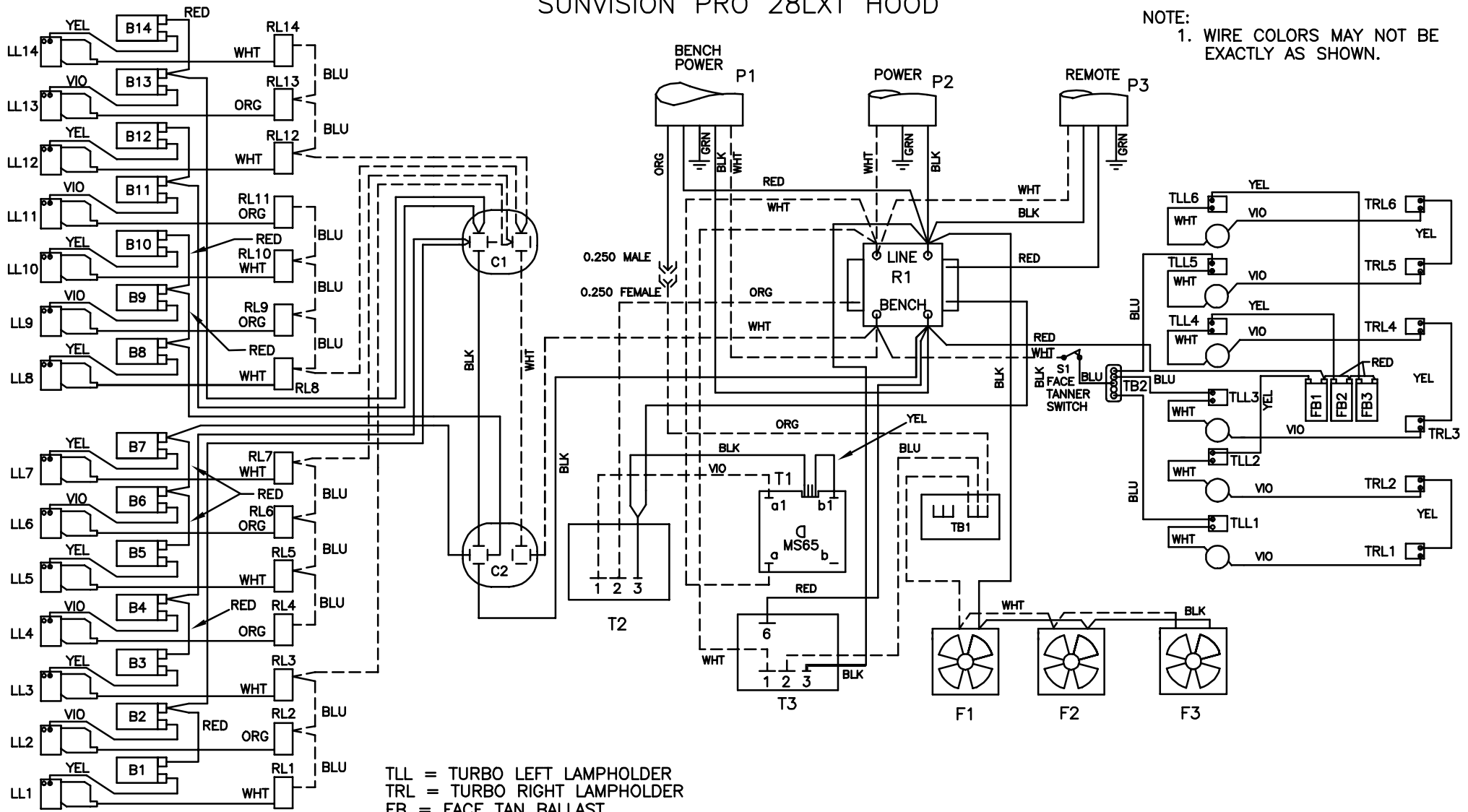


6220 CHURCHMAN BYPASS
 INDIANAPOLIS, IN 46203

21895 REV. B

SUNVISION PRO 28LXT HOOD

NOTE:
1. WIRE COLORS MAY NOT BE EXACTLY AS SHOWN.



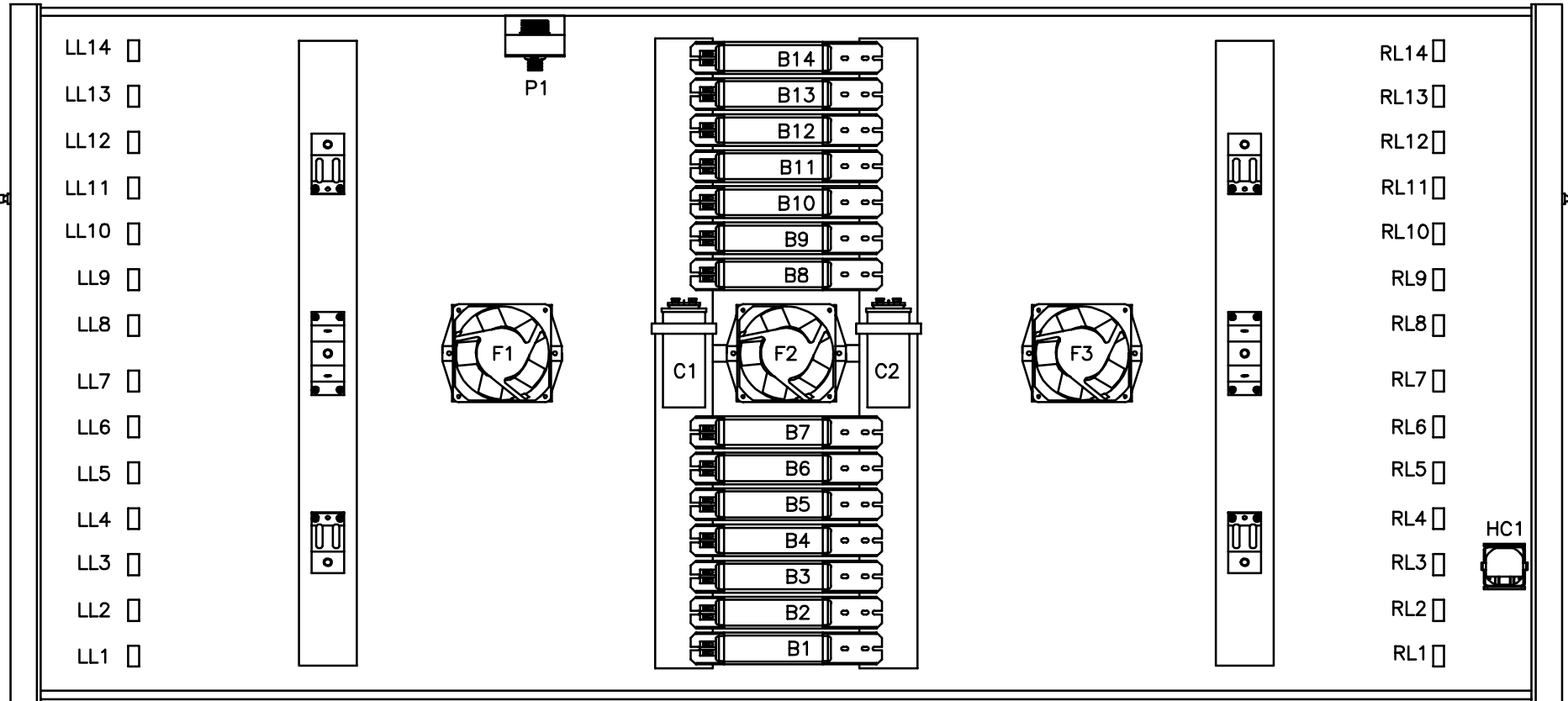
TLL = TURBO LEFT LAMPHOLDER
 TRL = TURBO RIGHT LAMPHOLDER
 FB = FACE TAN BALLAST
 S = SWITCH

LL = LEFT LAMPHOLDER
 B = BALLAST
 F = FAN
 R = RELAY (CONTACTOR)
 TB = TERMINAL BLOCK

RL = RIGHT LAMPHOLDER
 C = CAPACITOR
 P = POWER
 T = TIMER

WARNING: ALTERING THE DESIGN, TIMER SYSTEM, OR WIRING FROM THAT SHOWN HEREIN, WILL VOID THE WARRANTY, AND MAY RESULT IN A VIOLATION OF FEDERAL LAW.

SUNVISION PRO 28LX BENCH



LL = LEFT LAMPHOLDER
 B = BALLAST
 F = FAN
 HC = HOUR COUNTER

RL = RIGHT LAMPHOLDER
 C = CAPACITOR
 P = POWER JACK

FRONT OF BED



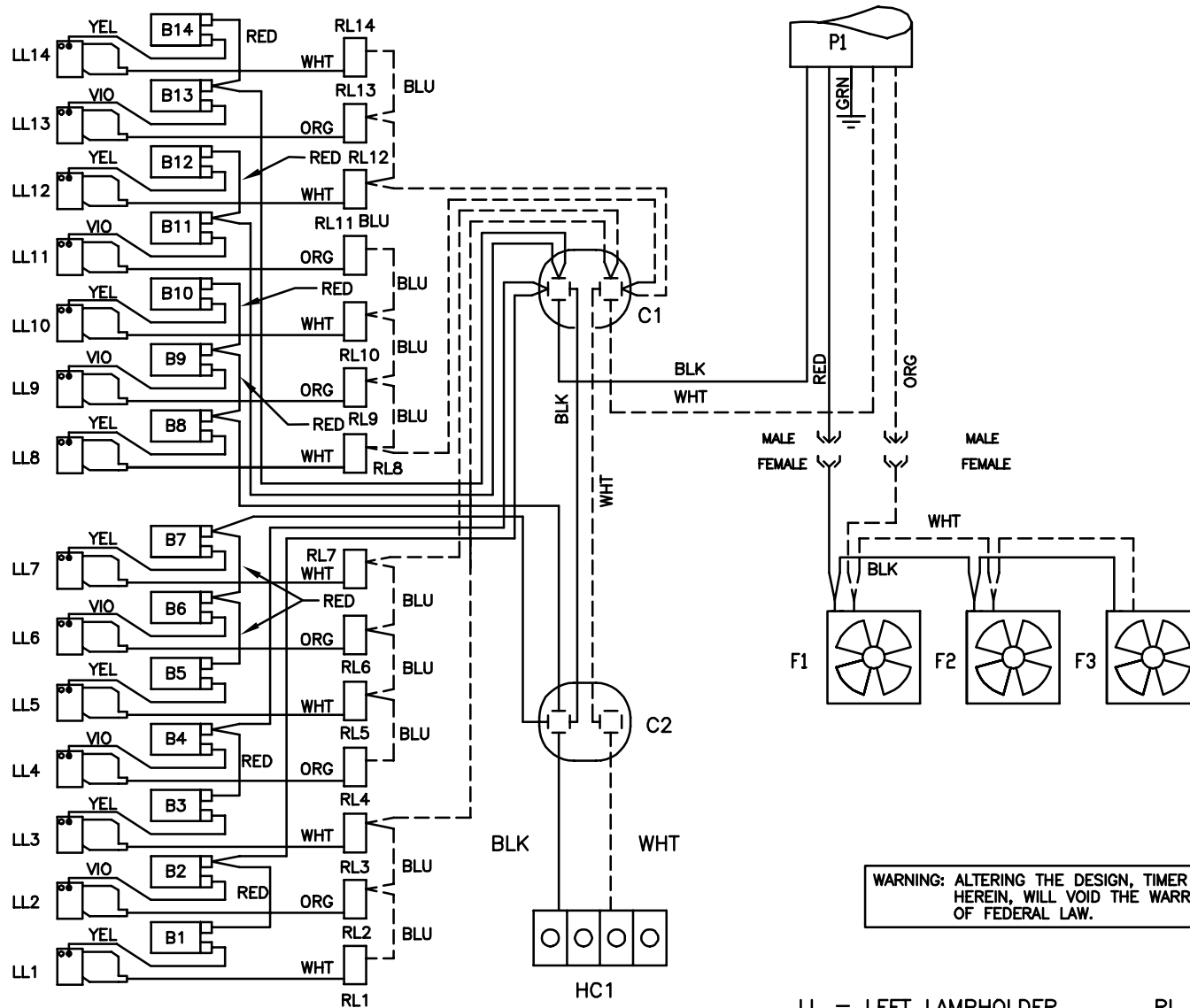
6220 CHURCHMAN BYPASS
 INDIANAPOLIS, IN 46203

21485 REV. B

NOTE:

1. WIRE COLORS MAY NOT BE EXACTLY AS SHOWN

SUNVISION PRO 28LX BENCH



WARNING: ALTERING THE DESIGN, TIMER SYSTEM, OR WIRING FROM THAT SHOWN HEREIN, WILL VOID THE WARRANTY, AND MAY RESULT IN A VIOLATION OF FEDERAL LAW.

LL = LEFT LAMPHOLDER
 B = BALLAST
 F = FAN
 HC = HOUR COUNTER
 RL = RIGHT LAMPHOLDER
 C = CAPACITOR
 P = POWER JACK