

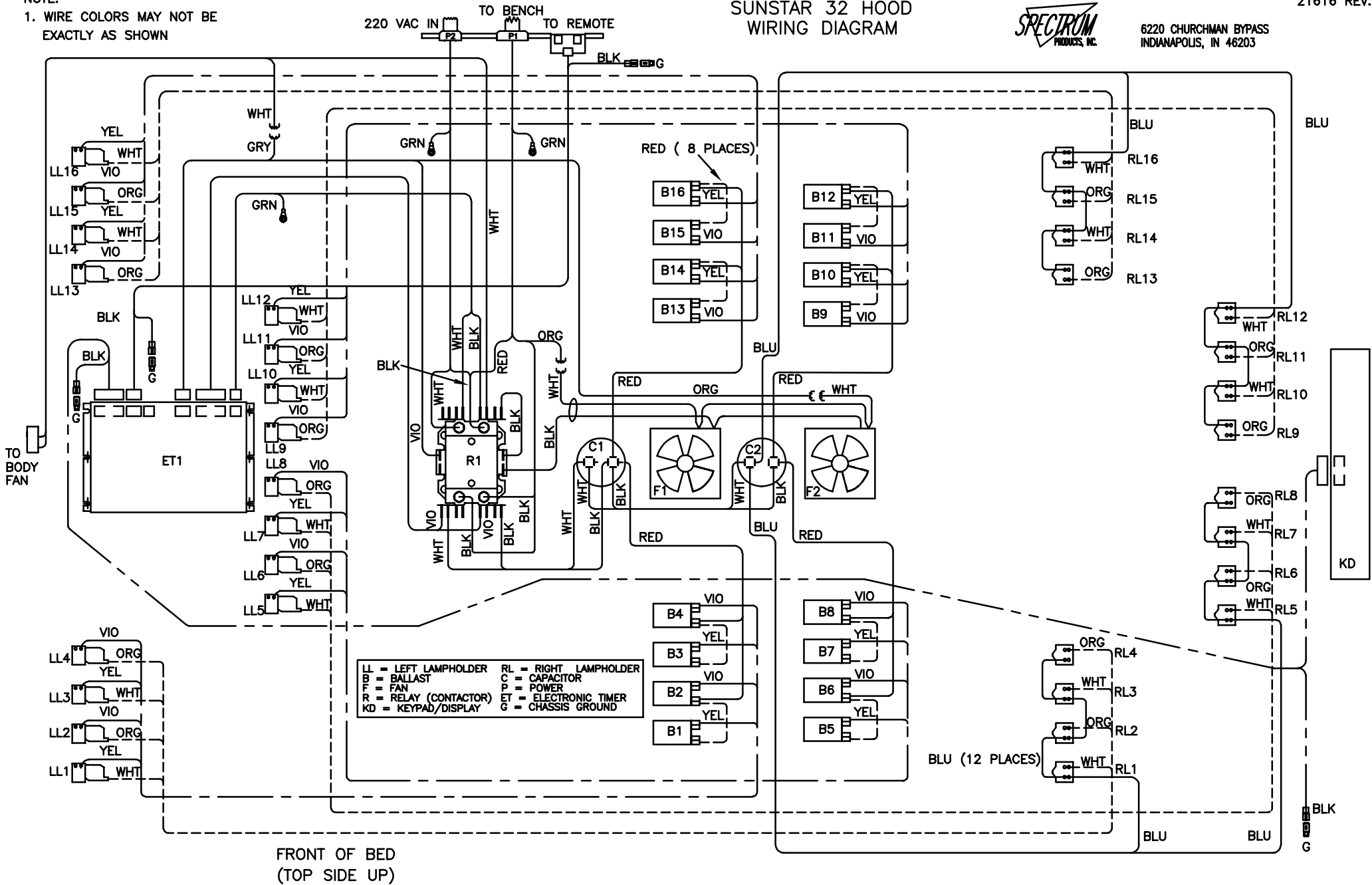
NOTE:
1. WIRE COLORS MAY NOT BE
EXACTLY AS SHOWN

SUNSTAR 32 HOOD WIRING DIAGRAM



6220 CHURCHMAN BYPASS
INDIANAPOLIS, IN 46203

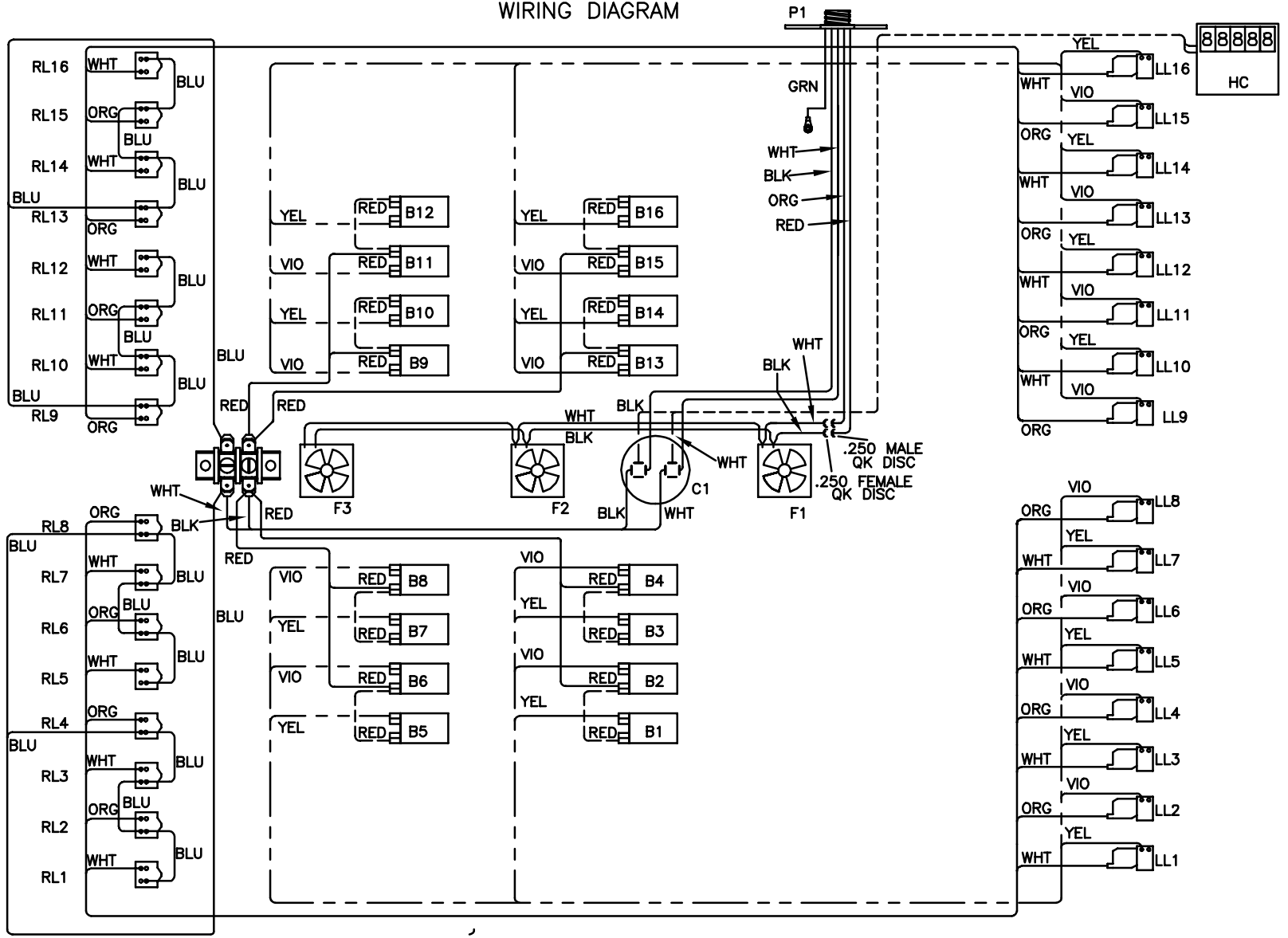
21616 REV. A



FRONT OF BED
(TOP SIDE UP)

SUNSTAR 32 BENCH WIRING DIAGRAM

NOTE:
1. WIRE COLORS MAY NOT BE
EXACTLY AS SHOWN



LL = LEFT LAMPHOLDER HC = HOUR COUNTER
 B = BALLAST RL = RIGHT LAMPHOLDER
 F = FAN C = CAPACITOR
 P = POWER

FRONT OF BED
(BOTTOM SIDE UP)

WARNING: ALTERING THE DESIGN, TIMER SYSTEM, OR WIRING FROM THAT SHOWN
HEREIN, WILL VOID THE WARRANTY, AND MAY RESULT IN A VIOLATION
OF FEDERAL LAW.