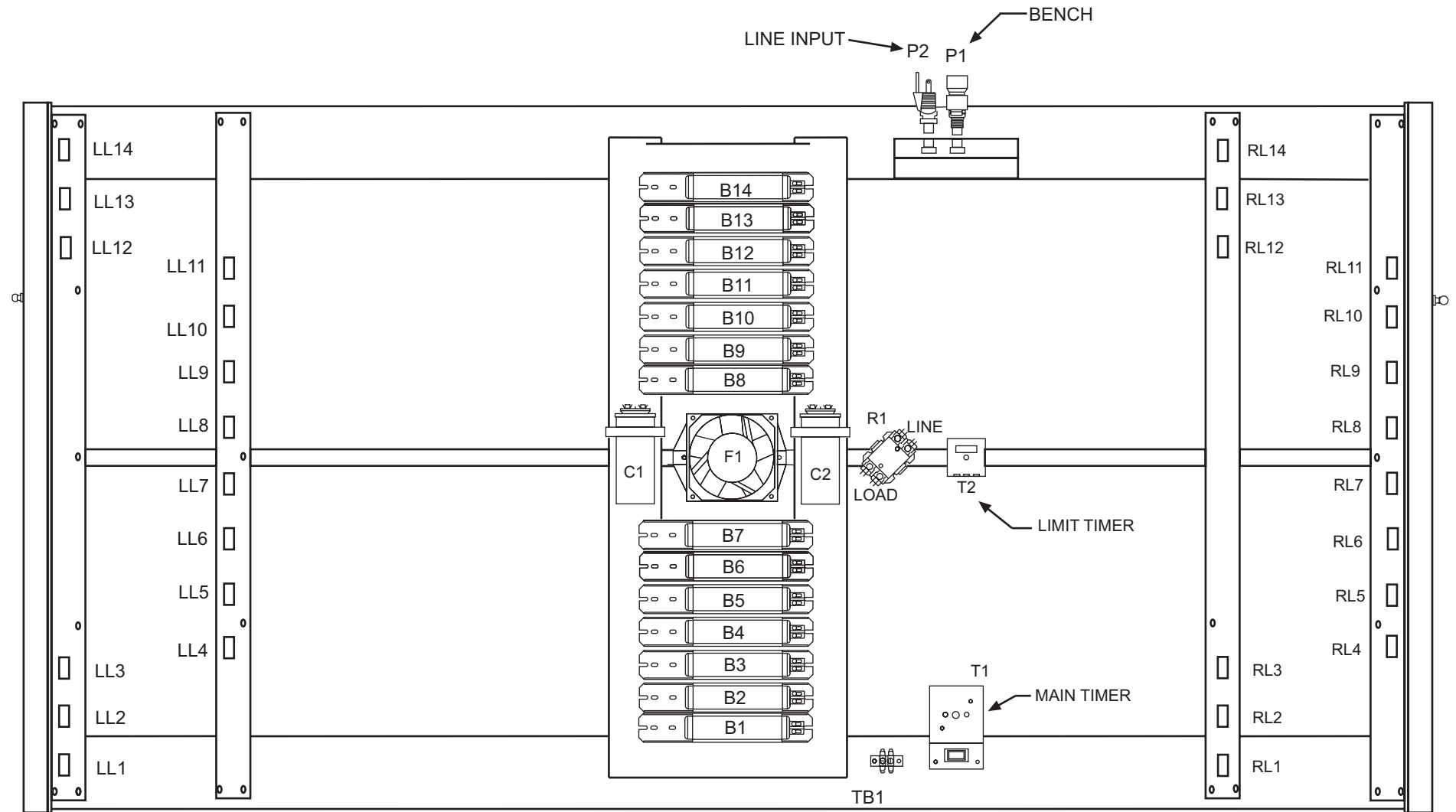


SUNQUEST 26RS CANOPY



LL = LEFT LAMP HOLDER
 B = BALLAST
 F = FAN
 R = RELAY (CONTACTOR)
 TB = TERMINAL BLOCK
 S = SWITCH

RL = RIGHT LAMP HOLDER
 C = CAPACITOR
 P = POWER
 T = TIMER
 ST = FACE TANNER STARTER
 FT = FACE TANNER
 FB = FACE TANNER BALLAST

FRONT OF BED

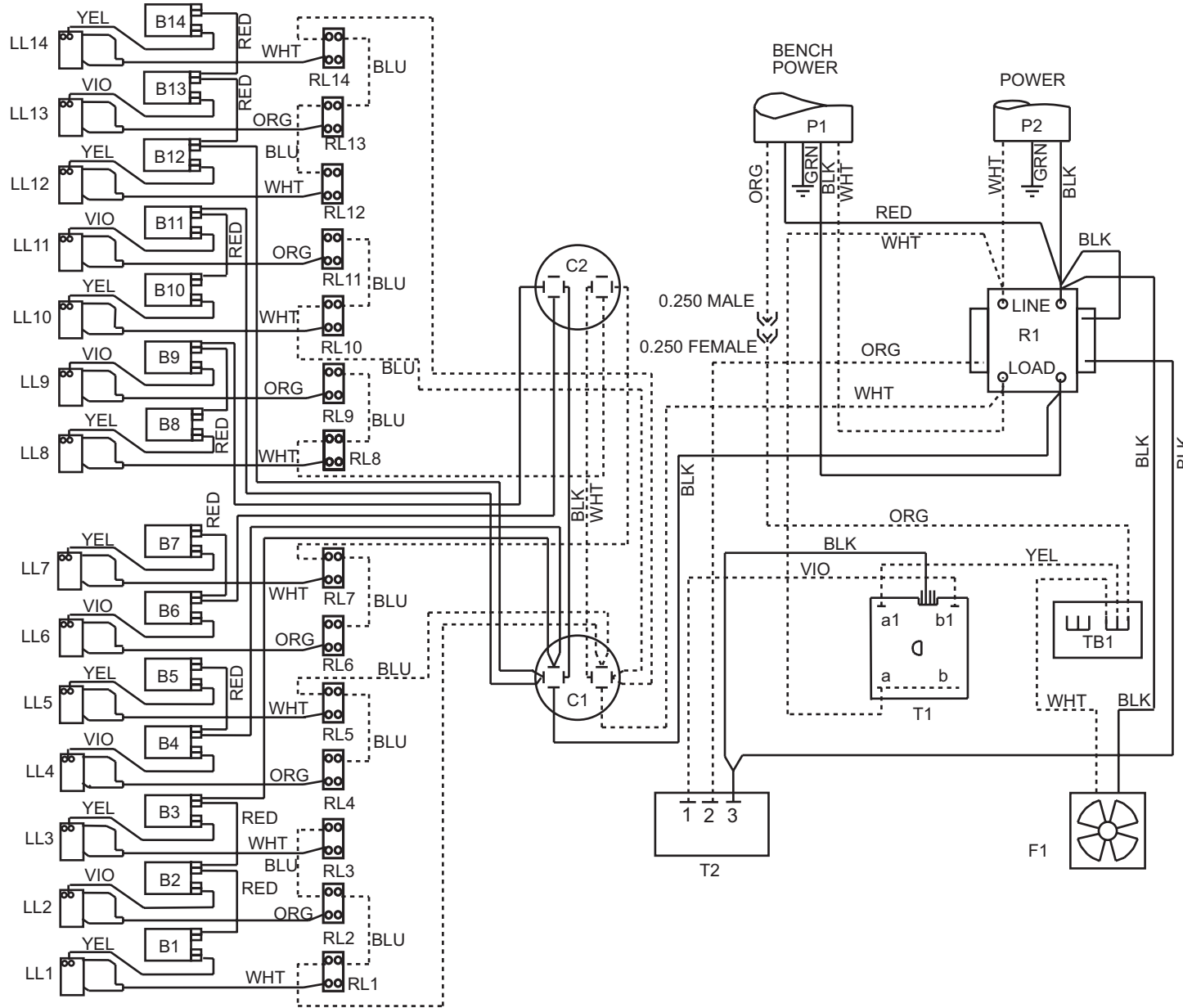


6220 CHURCHMAN BYPASS
 INDIANAPOLIS, IN 46203

22210 REV. A

NOTE :
 1. WIRE COLORS MAY NOT BE
 EXACTLY AS SHOWN

SUNQUEST 26RS CANOPY

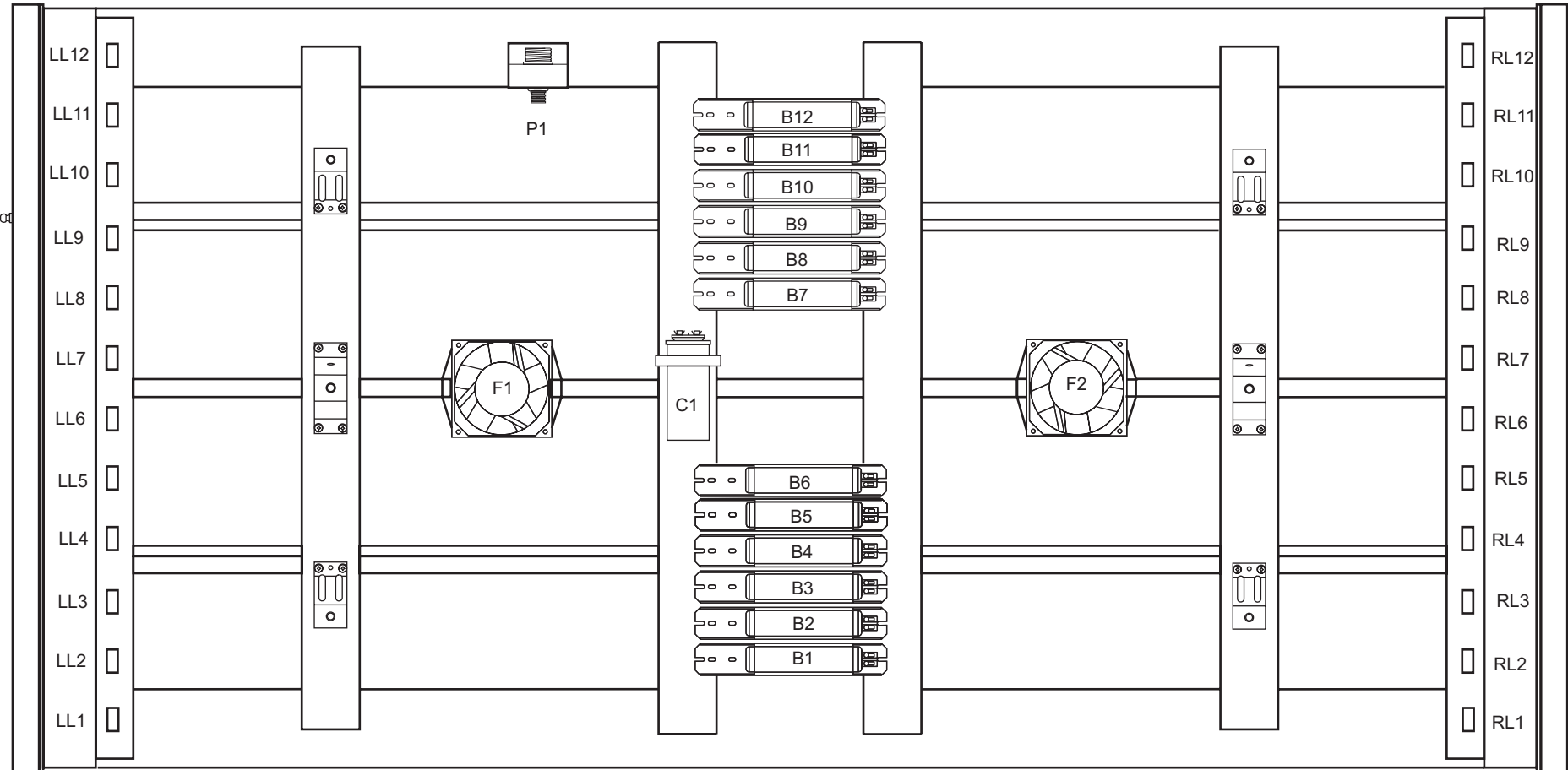


LL = LEFT LAMP HOLDER
 B = BALLAST
 F = FAN
 R = RELAY (CONTACTOR)
 TB = TERMINAL BLOCK
 S = SWITCH

RL = RIGHT LAMP HOLDER
 C = CAPACITOR
 P = POWER
 T = TIMER
 ST = FACE TANNER STARTER
 FT = FACE TANNER
 FB = FACE TANNER BALLAST

WARNING : ALTERING THE DESIGN, TIMER SYSTEM, OR WIRING FROM THAT SHOWN HEREIN, WILL VOID THE WARRANTY, AND MAY RESULT IN A VIOLATION OF FEDERAL LAW.

SUNQUEST PRO 26RS BENCH



FRONT OF BED

LL = LEFT LAMPHOLDER
 B = BALLAST
 F = FAN

RL = RIGHT LAMPHOLDER
 C = CAPACITOR
 P = POWER JACK

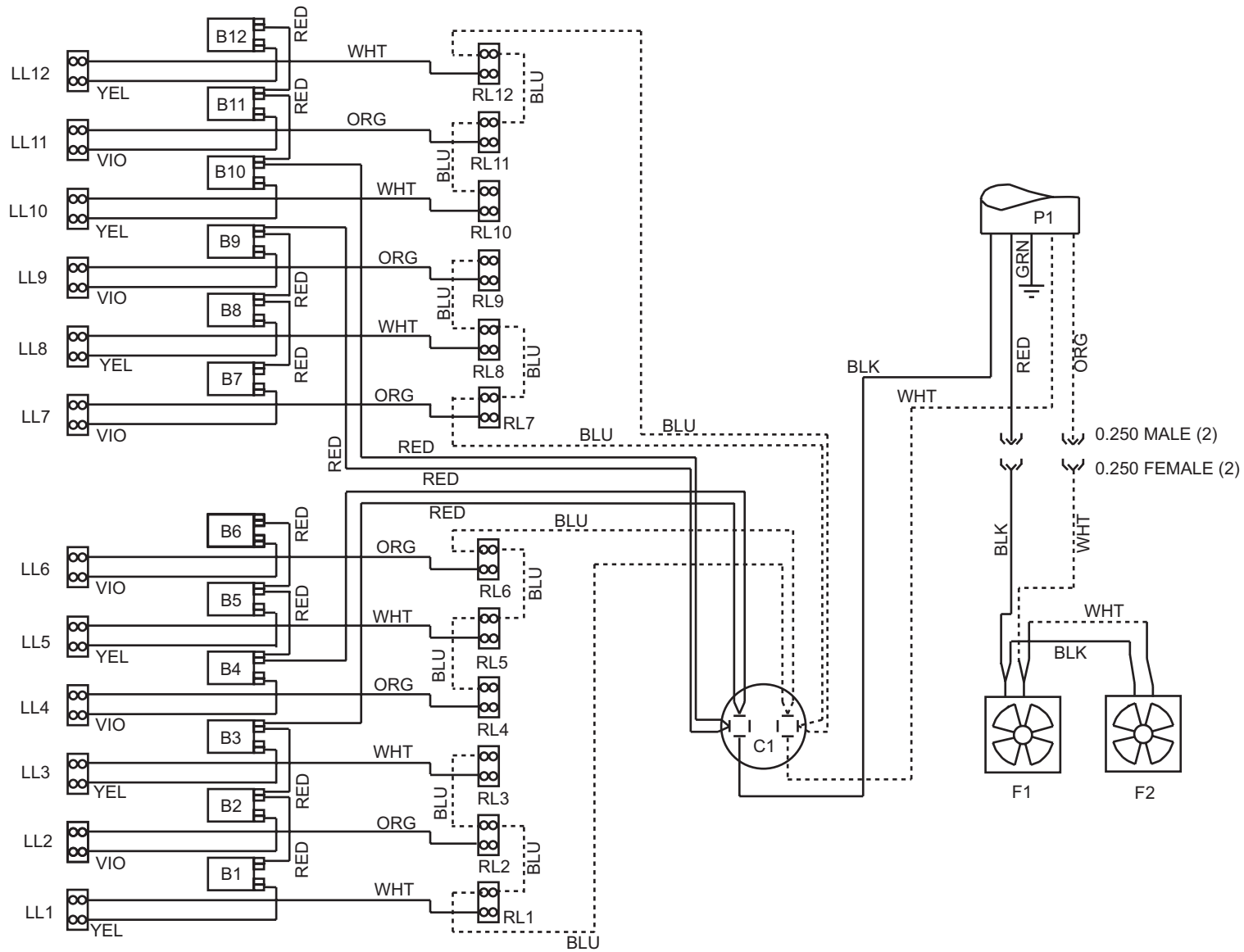


6220 CHURCHMAN BYPASS
 INDIANAPOLIS, IN 46203

22218 REV. A

NOTE :
 1. WIRE COLORS MAY NOT BE
 EXACTLY AS SHOWN

SUNQUEST PRO 26RS BENCH



LL = LEFT LAMP HOLDER
 B = BALLAST
 F = FAN

RL = RIGHT LAMP HOLDER
 C = CAPACITOR
 P = POWER JACK

**WARNING : ALTERING THE DESIGN, TIMER SYSTEM, OR WIRING FROM THAT SHOWN
 HEREIN, WILL VOID THE WARRANTY, AND MAY RESULT IN A VIOLATION
 OF FEDERAL LAW.**