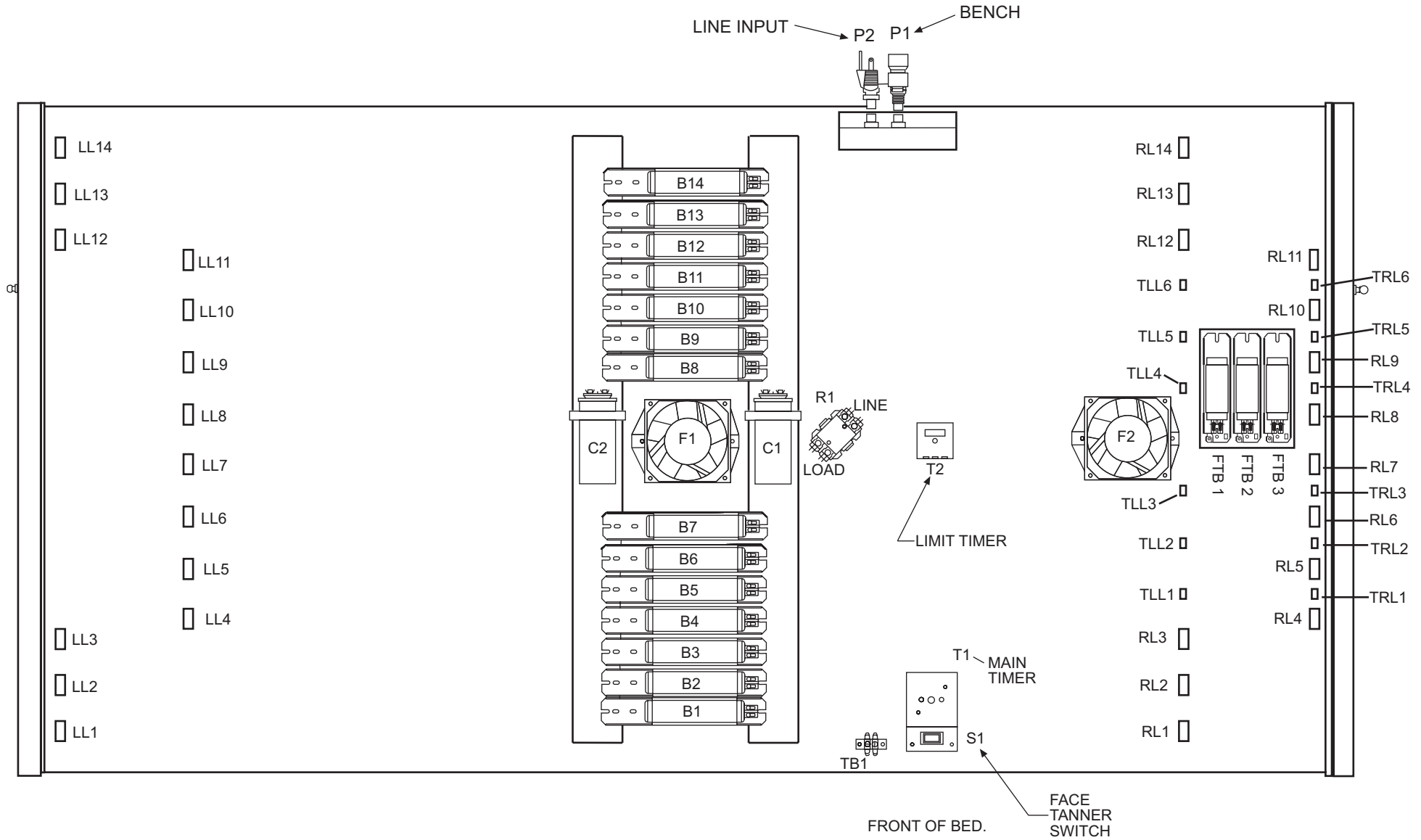


# SUNQUEST 26RST CANOPY



LL = LEFT LAMPHOLDER  
B = BALLAST  
F = FAN  
R = RELAY (CONTACTOR)  
TB = TERMINAL BLOCK

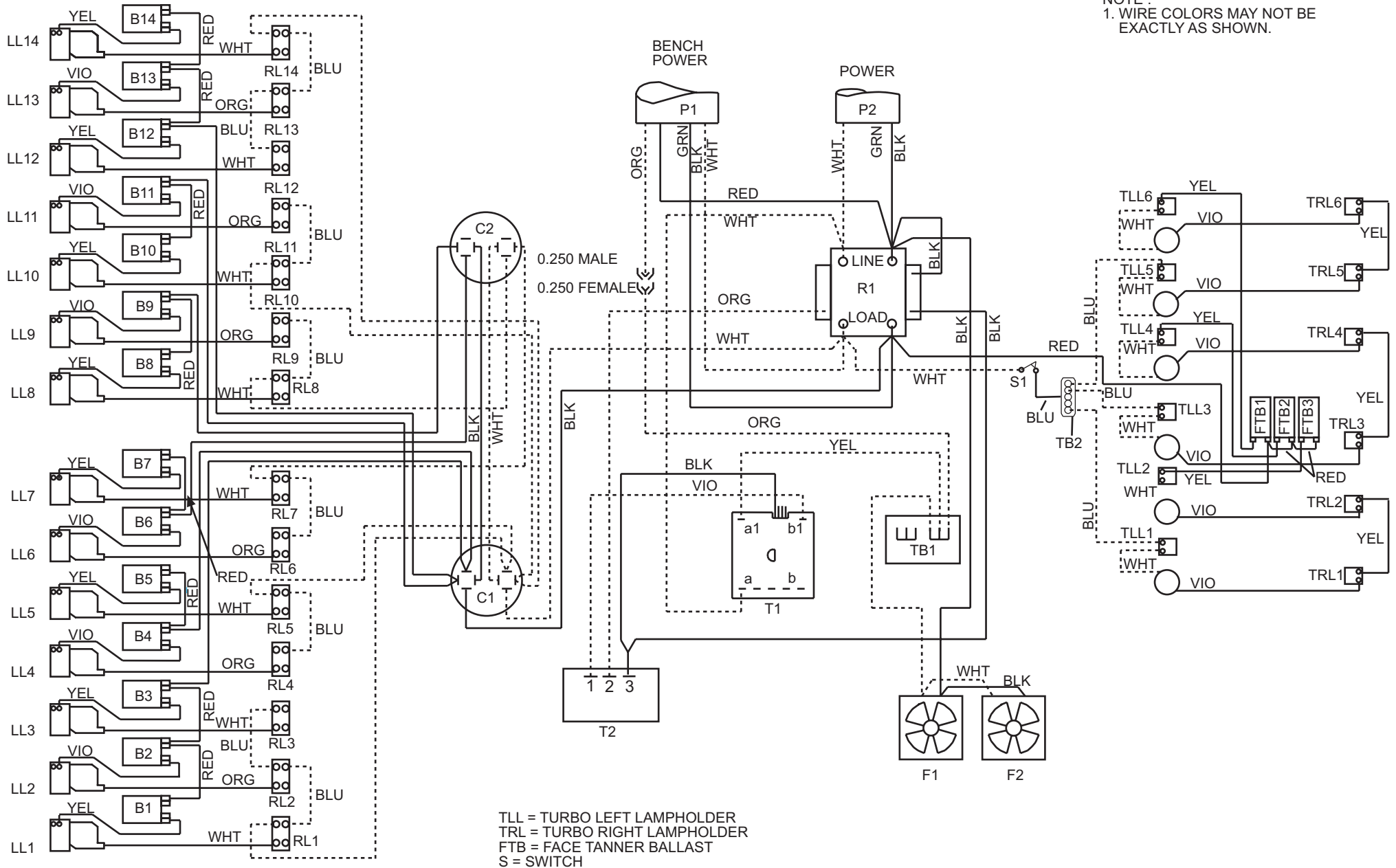
RL = RIGHT LAMPHOLDER  
C = CAPACITOR  
P = POWER  
T = TIMER

TLL = TURBO LEFT LAMPHOLDER  
TRL = TURBO RIGHT LAMPHOLDER  
FTB = FACE TANNER BALLAST  
S = SWITCH



# SUNQUEST 26RST CANOPY

NOTE :  
1. WIRE COLORS MAY NOT BE EXACTLY AS SHOWN.

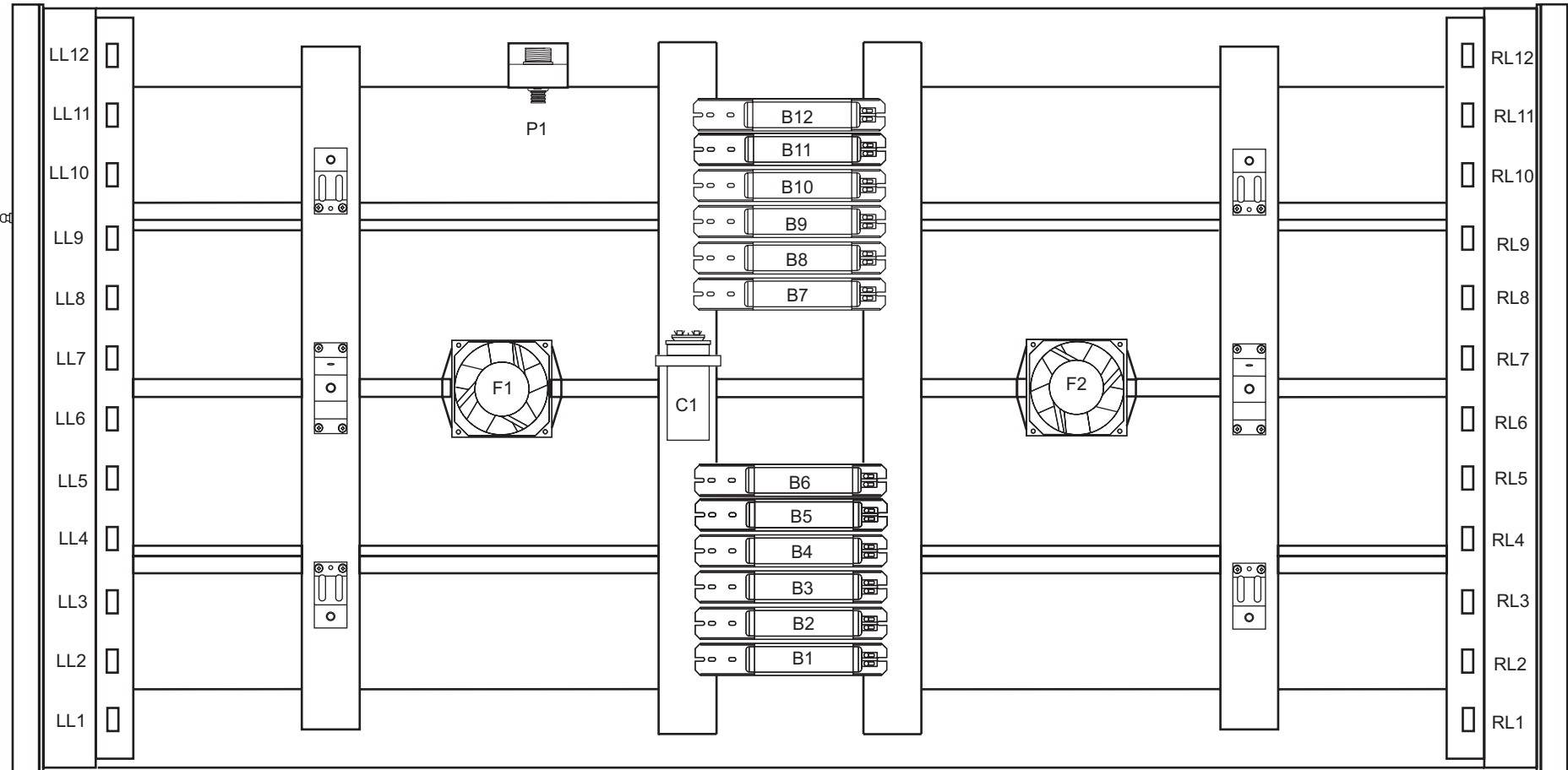


TLL = TURBO LEFT LAMPHOLDER  
TRL = TURBO RIGHT LAMPHOLDER  
FTB = FACE TANNER BALLAST  
S = SWITCH

LL = LEFT LAMPHOLDER  
B = BALLAST  
F = FAN  
R = RELAY (CONTACTOR)  
TB = TERMINAL BLOCK  
RL = RIGHT LAMPHOLDER  
C = CAPACITOR  
P = POWER  
T = TIMER

**WARNING : ALTERING THE DESIGN, TIMER SYSTEM, OR WIRING FROM THAT SHOWN HEREIN, WILL VOID THE WARRANTY, AND MAY RESULT IN A VIOLATION OF FEDERAL LAW.**

# SUNQUEST PRO 26RS BENCH



FRONT OF BED

LL = LEFT LAMPHOLDER  
 B = BALLAST  
 F = FAN

RL = RIGHT LAMPHOLDER  
 C = CAPACITOR  
 P = POWER JACK

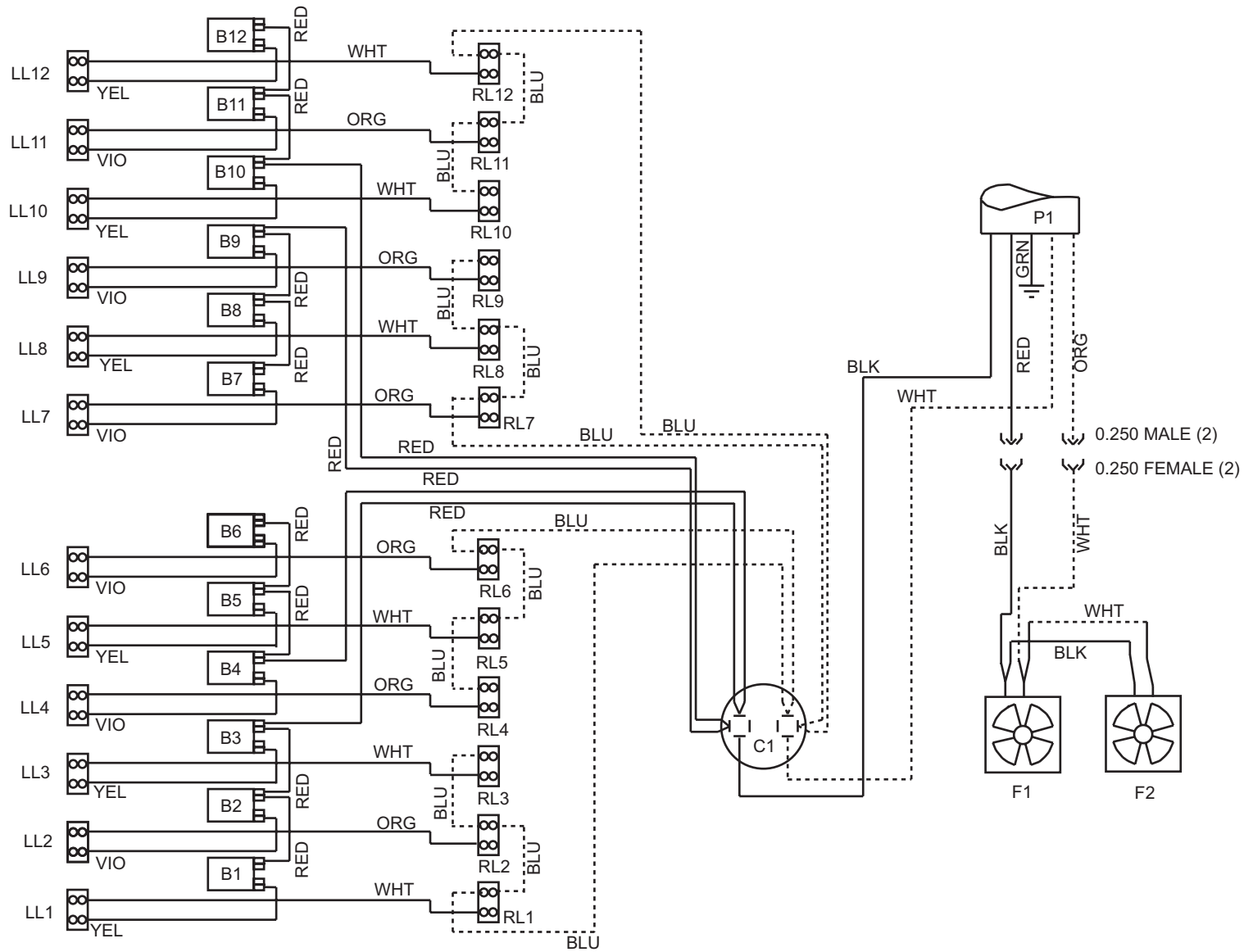


6220 CHURCHMAN BYPASS  
 INDIANAPOLIS, IN 46203

22218 REV. A

NOTE :  
 1. WIRE COLORS MAY NOT BE  
 EXACTLY AS SHOWN

# SUNQUEST PRO 26RS BENCH



LL = LEFT LAMP HOLDER  
 B = BALLAST  
 F = FAN

RL = RIGHT LAMP HOLDER  
 C = CAPACITOR  
 P = POWER JACK

**WARNING : ALTERING THE DESIGN, TIMER SYSTEM, OR WIRING FROM THAT SHOWN  
 HEREIN, WILL VOID THE WARRANTY, AND MAY RESULT IN A VIOLATION  
 OF FEDERAL LAW.**