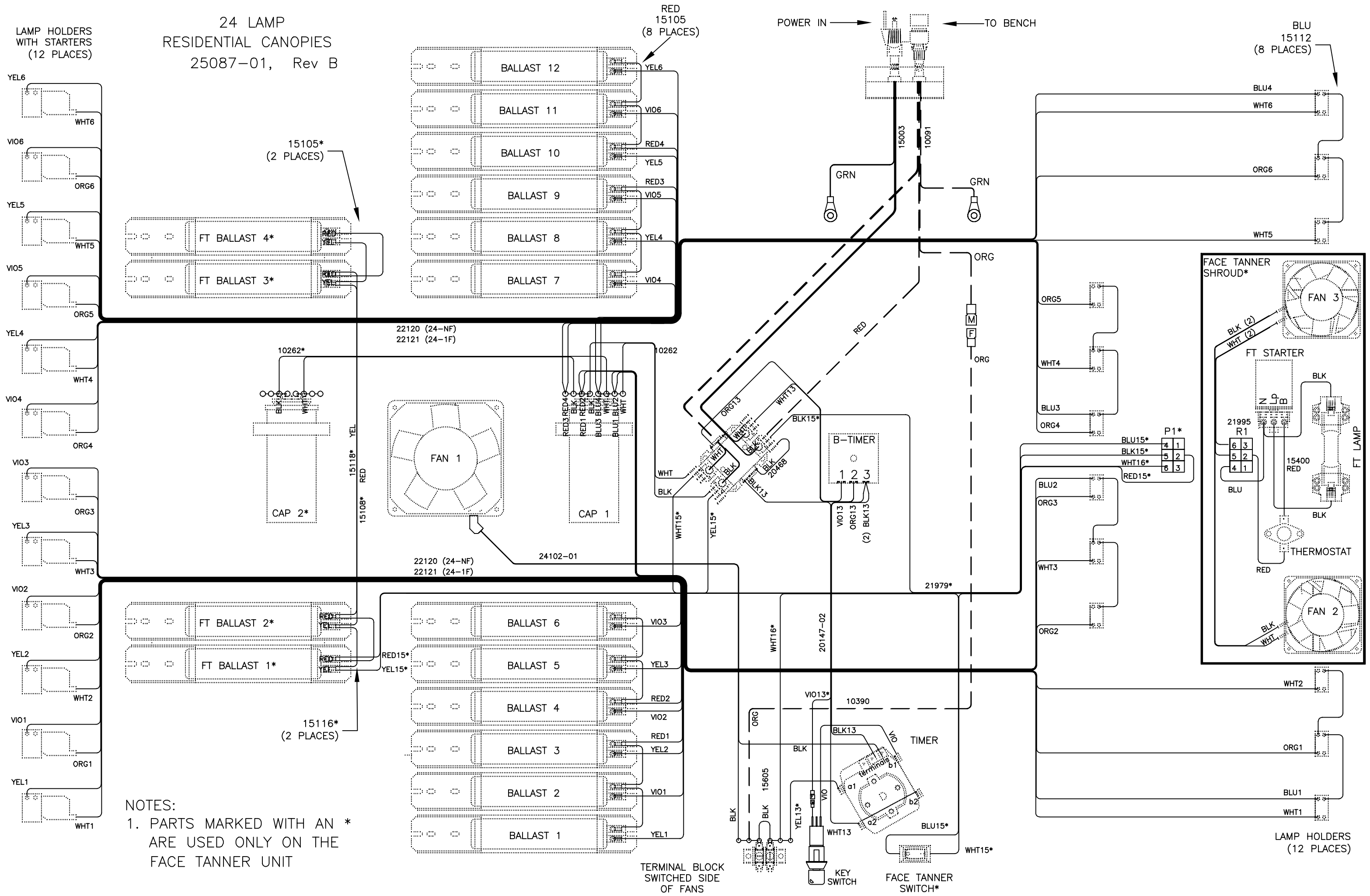


24 LAMP
RESIDENTIAL CANOPIES
25087-01, Rev B



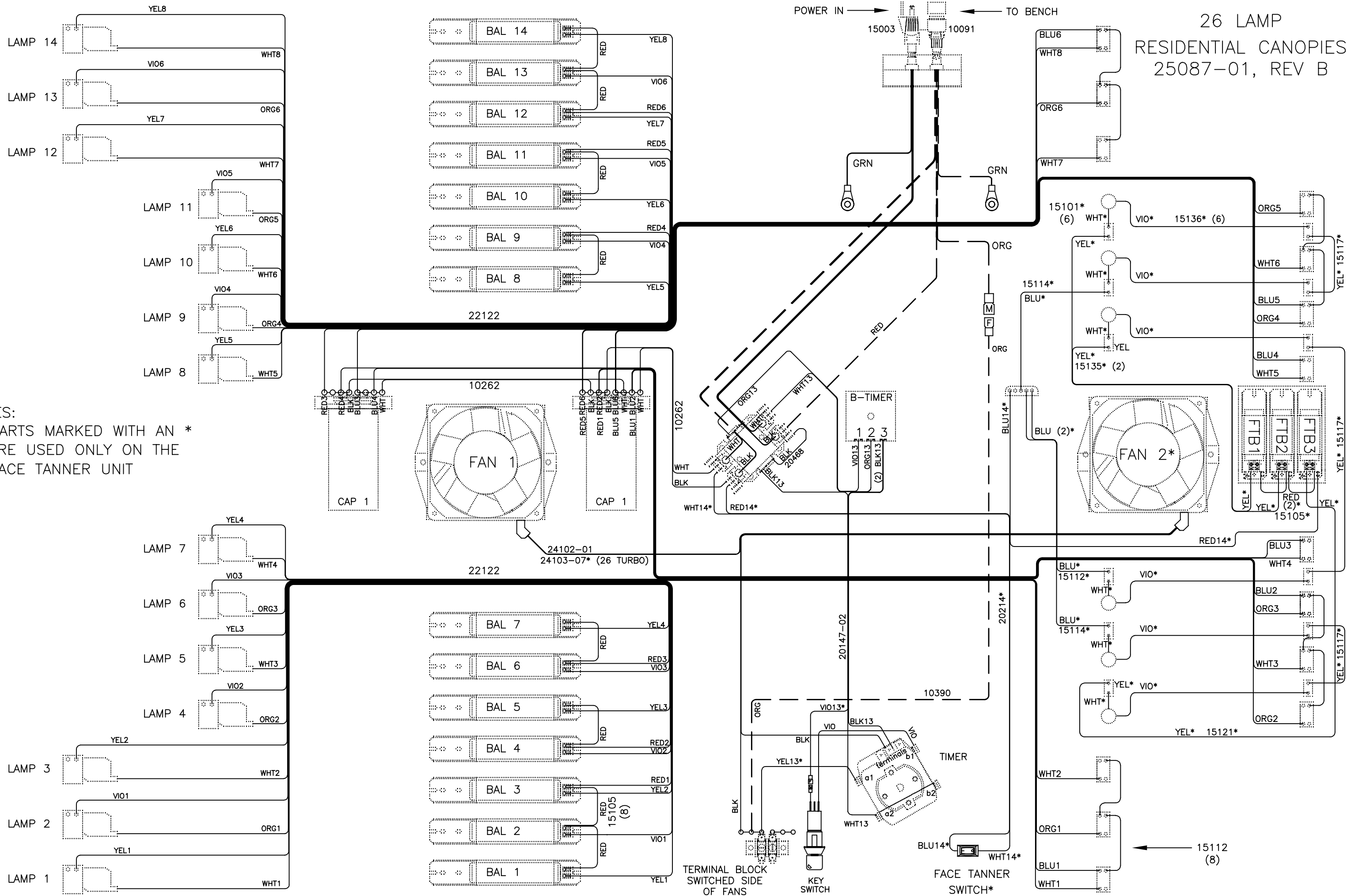
NOTES:
1. PARTS MARKED WITH AN *
ARE USED ONLY ON THE
FACE TANNER UNIT

TERMINAL BLOCK
SWITCHED SIDE
OF FANS

FACE TANNER
SWITCH*

LAMP HOLDERS
(12 PLACES)

26 LAMP
RESIDENTIAL CANOPIES
25087-01, REV B

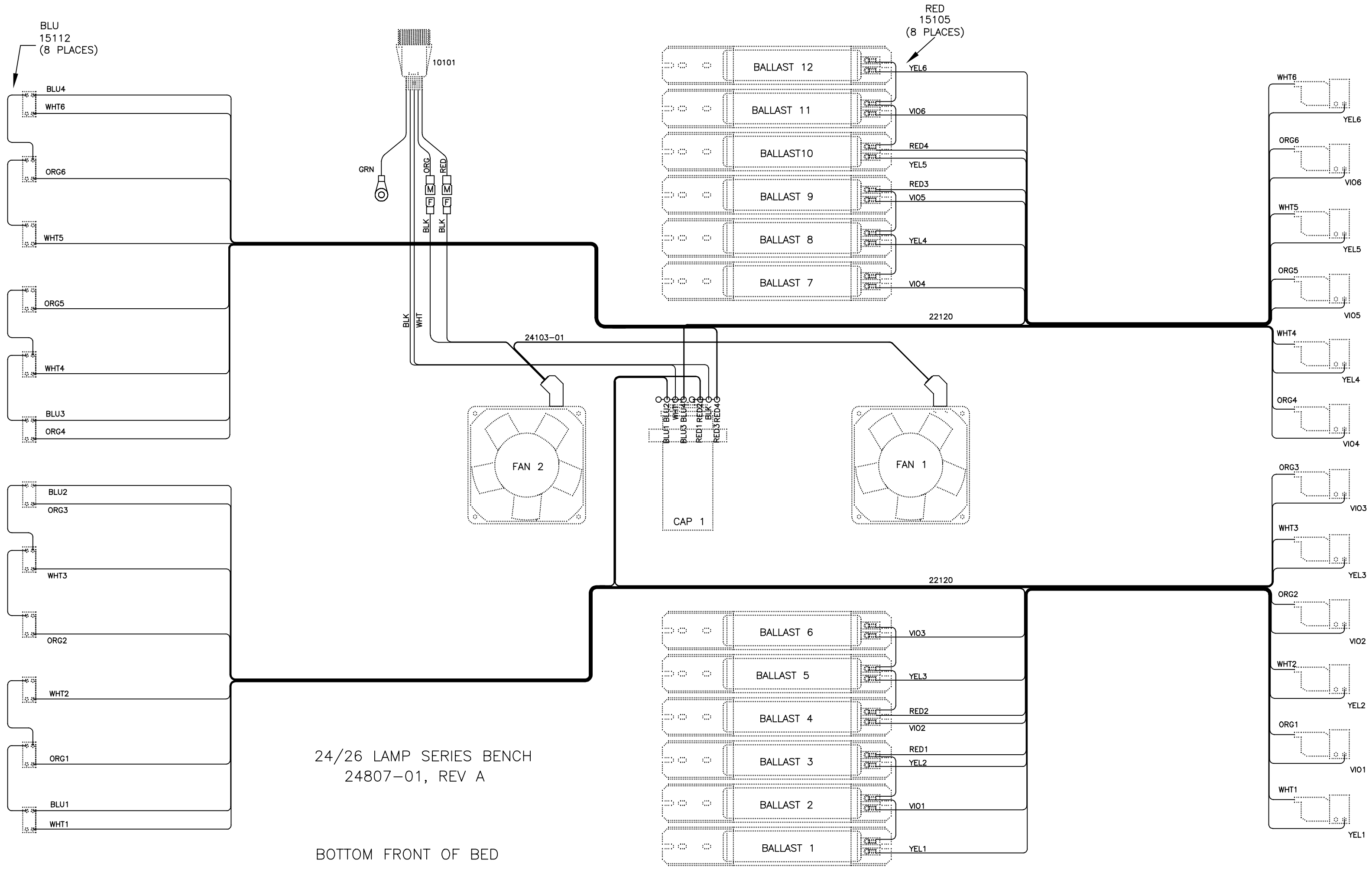


NOTES:
1. PARTS MARKED WITH AN *
ARE USED ONLY ON THE
FACE TANNER UNIT

TERMINAL BLOCK
SWITCHED SIDE
OF FANS

FACE TANNER
SWITCH*

15112
(8)



24/26 LAMP SERIES BENCH
24807-01, REV A

BOTTOM FRONT OF BED