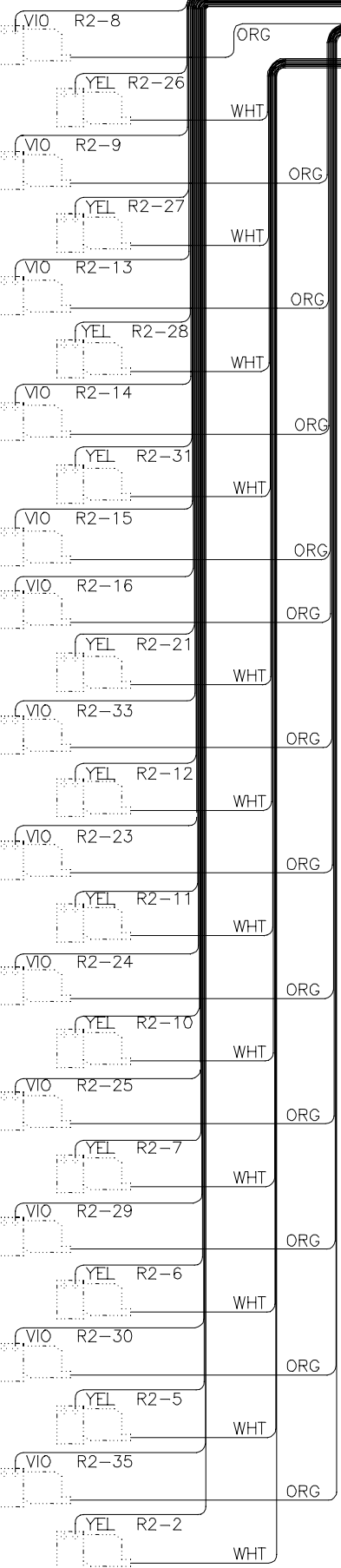
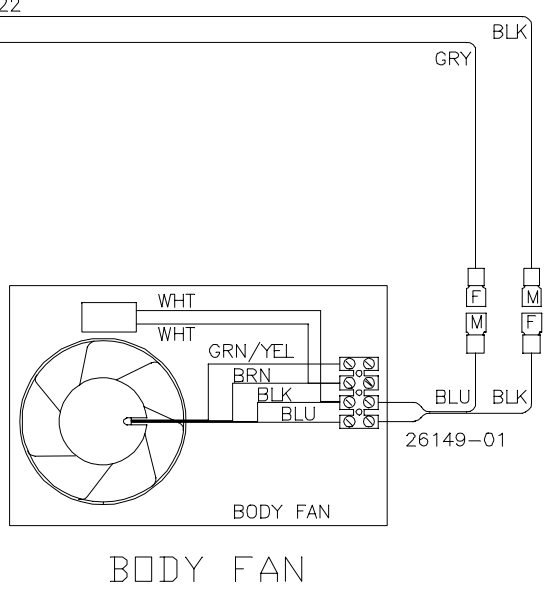


- R2-3 SPARE
- R2-16 SPARE
- R2-17 SPARE
- R2-18 SPARE
- R2-20 SPARE
- R2-36 SPARE
- R1-3 SPARE
- R1-16 SPARE
- R1-17 SPARE
- R1-18 SPARE
- R1-20 SPARE
- R1-36 SPARE

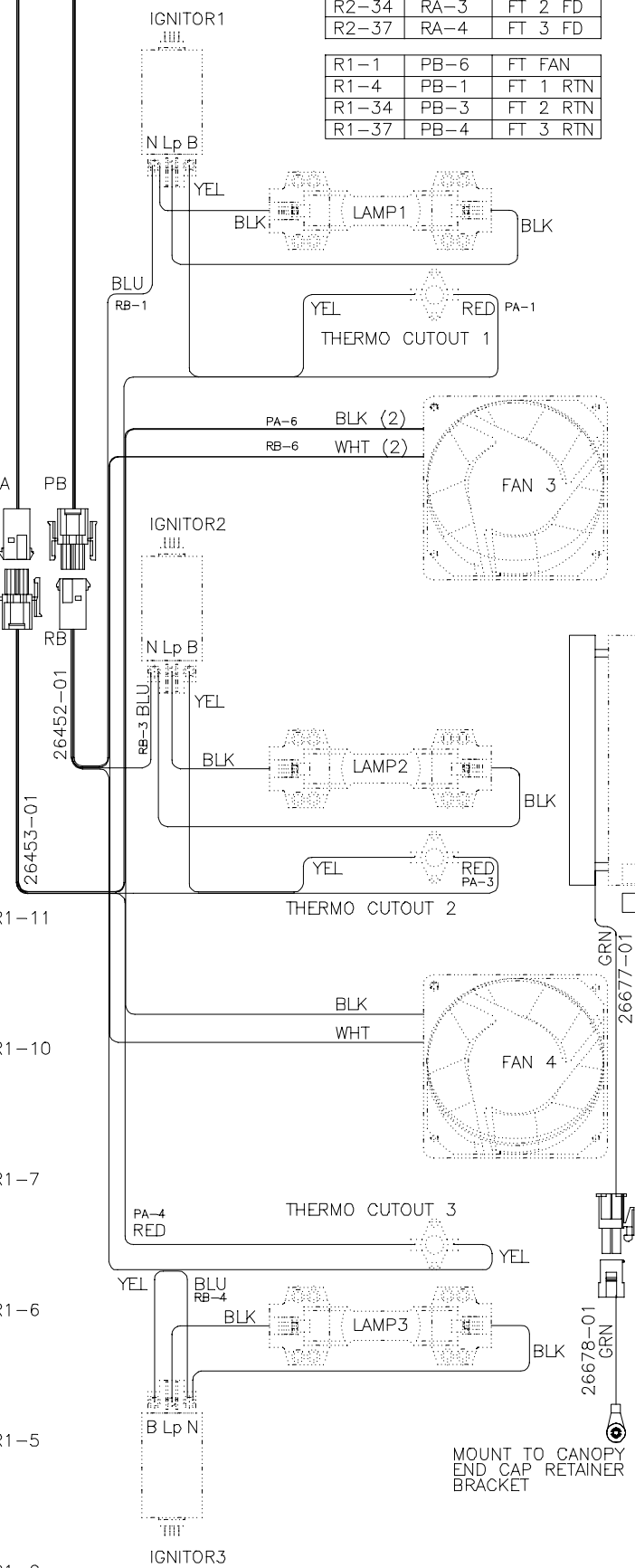
R2-1	RA-6	FT FAN
R2-4	RA-1	FT 1 FD
R2-34	RA-3	FT 2 FD
R2-37	RA-4	FT 3 FD
R1-1	PB-6	FT FAN
R1-4	PB-1	FT 1 RTN
R1-34	PB-3	FT 2 RTN
R1-37	PB-4	FT 3 RTN



SOLAR FORCE 648
26682-01, REV A
CANOPY

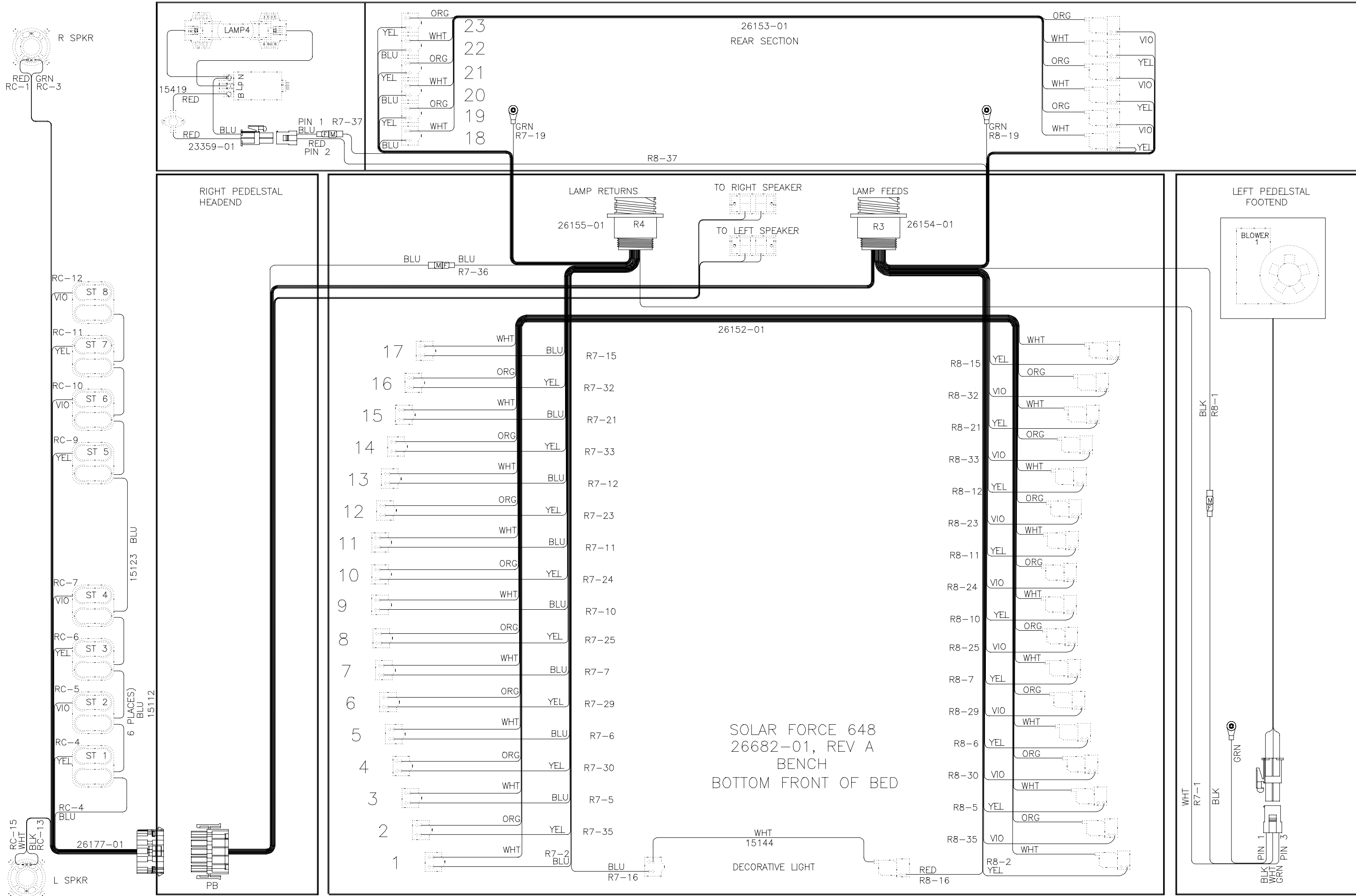


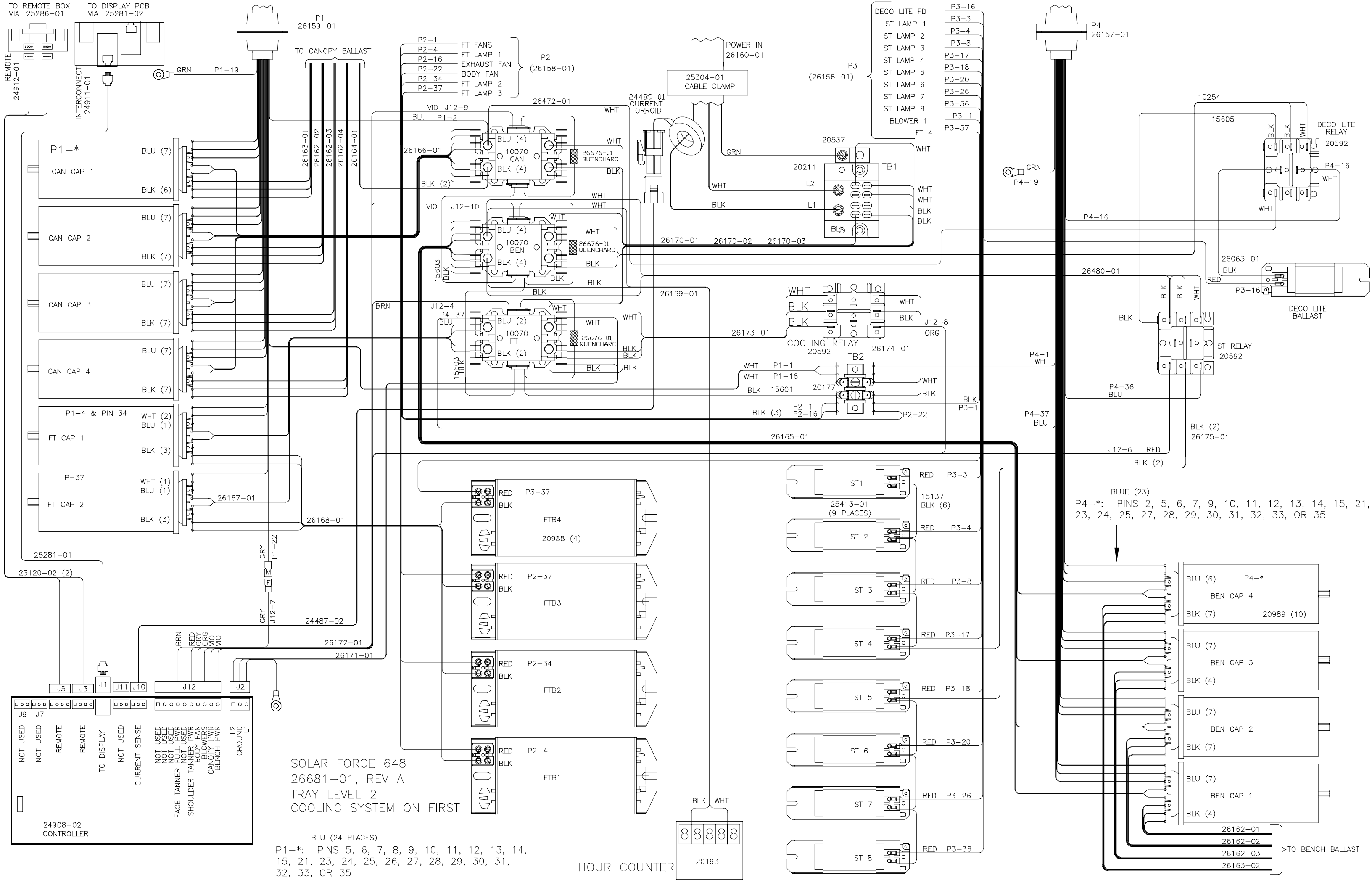
FRONT OF BED



26677-01
26678-01

MOUNT TO CANOPY
END CAP RETAINER
BRACKET





REMOTE BOX VIA 25286-01

TO DISPLAY PCB VIA 25281-02

P1 26159-01

TO CANOPY BALLAST

- P2-1 FT FANS
- P2-4 FT LAMP 1
- P2-16 EXHAUST FAN
- P2-22 BODY FAN
- P2-34 FT LAMP 2
- P2-37 FT LAMP 3

P2 (26158-01)

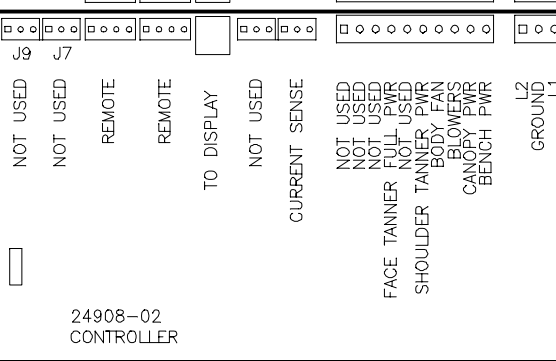
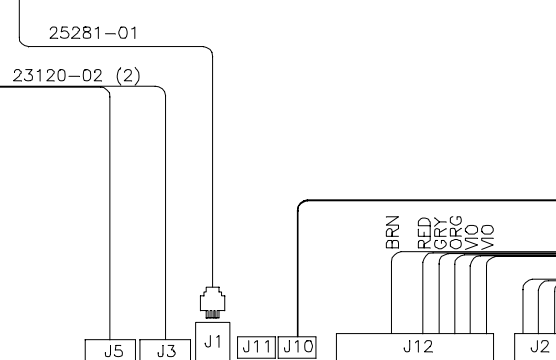
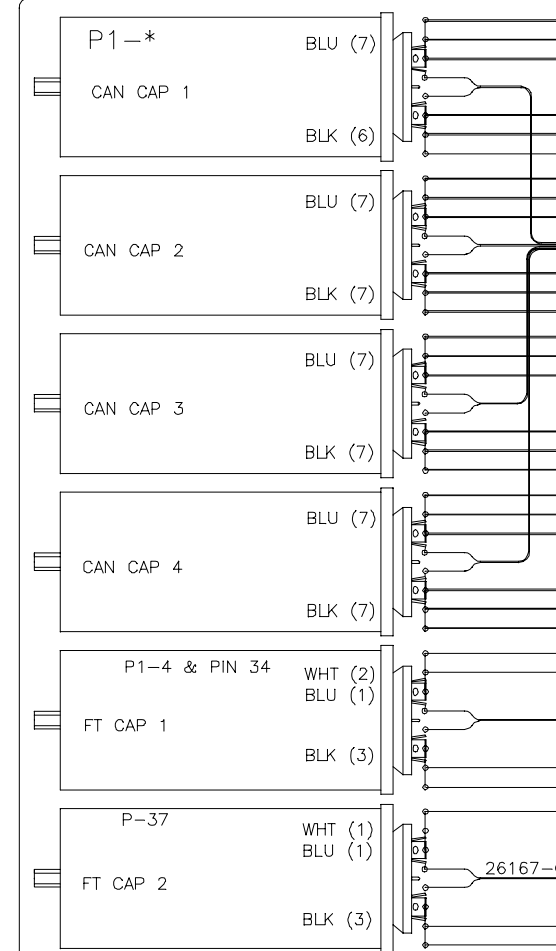
POWER IN 26160-01

25304-01 CABLE CLAMP

- DECO LITE FD
- ST LAMP 1
- ST LAMP 2
- ST LAMP 3
- ST LAMP 4
- ST LAMP 5
- ST LAMP 6
- ST LAMP 7
- ST LAMP 8
- BLOWER 1
- FT 4

- P3-3
- P3-4
- P3-8
- P3-17
- P3-18
- P3-20
- P3-26
- P3-36
- P3-1
- P3-37

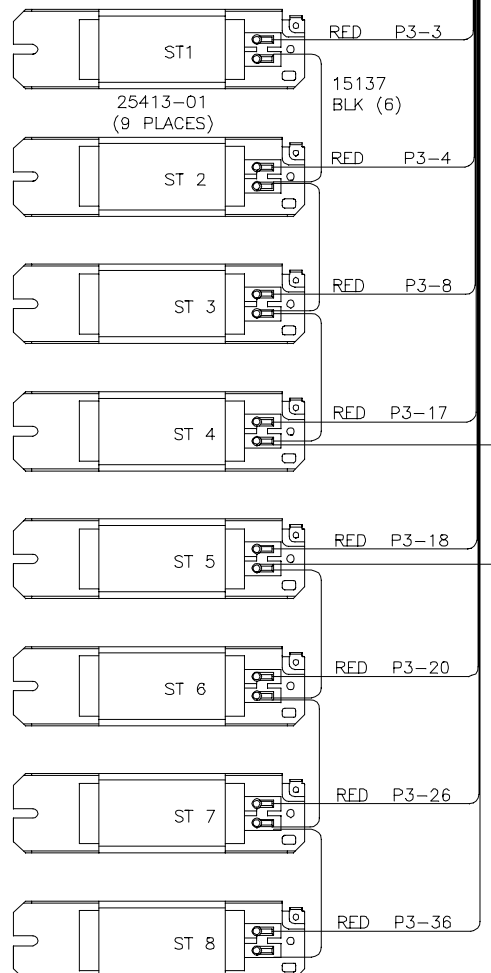
P4 26157-01



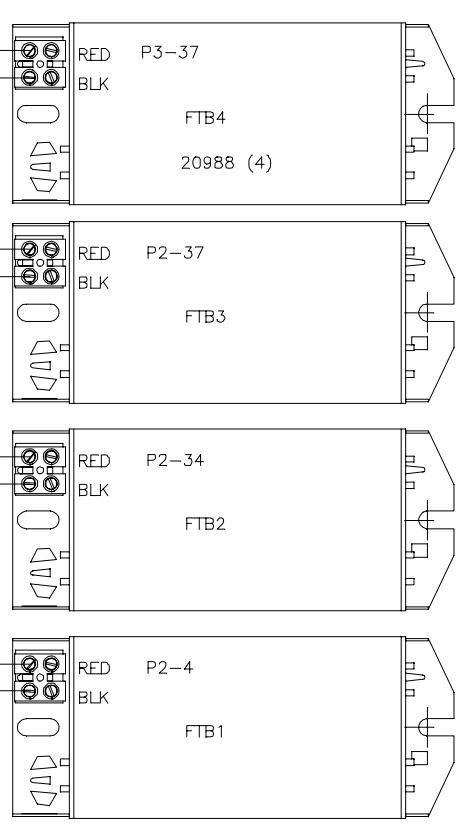
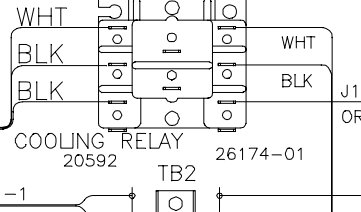
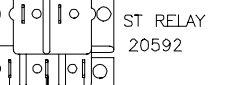
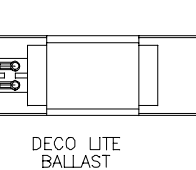
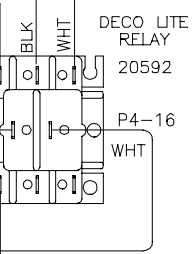
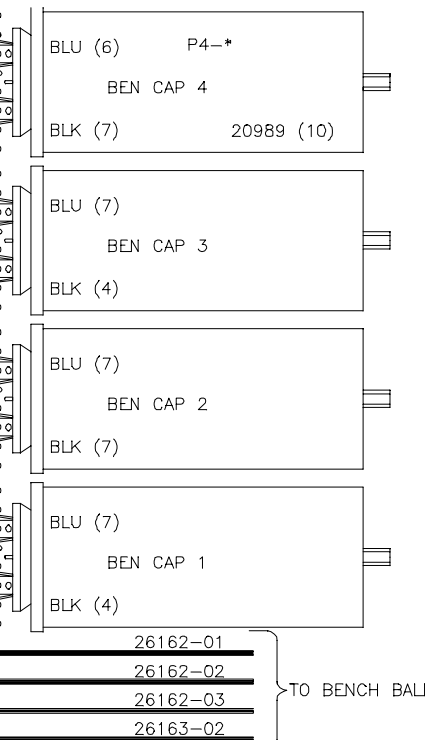
SOLAR FORCE 648
26681-01, REV A
TRAY LEVEL 2
COOLING SYSTEM ON FIRST

BLU (24 PLACES)
P1-*: PINS 5, 6, 7, 8, 9, 10, 11, 12, 13, 14, 15, 21, 23, 24, 25, 26, 27, 28, 29, 30, 31, 32, 33, OR 35

HOUR COUNTER 20193



BLUE (23)
P4-*: PINS 2, 5, 6, 7, 9, 10, 11, 12, 13, 14, 15, 21, 23, 24, 25, 27, 28, 29, 30, 31, 32, 33, OR 35



SOLAR FORCE 648
 26681-01, REV A
 TRAY LEVEL 1
 COOLING SYSTEM ON FIRST

