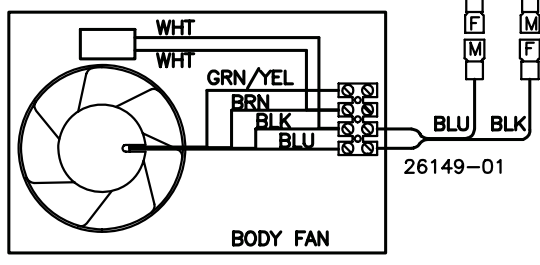


- R2-3 SPARE
- R2-16 SPARE
- R2-17 SPARE
- R2-18 SPARE
- R2-20 SPARE
- R2-36 SPARE
- R1-3 SPARE
- R1-16 SPARE
- R1-17 SPARE
- R1-18 SPARE
- R1-20 SPARE
- R1-36 SPARE

R2-1	RA-6	FT FAN
R2-4	RA-1	FT 1 FD
R2-34	RA-3	FT 2 FD
R2-37	RA-4	FT 3 FD
R1-1	PB-6	FT FAN
R1-4	PB-1	FT 1 RTN
R1-34	PB-3	FT 2 RTN
R1-37	PB-4	FT 3 RTN

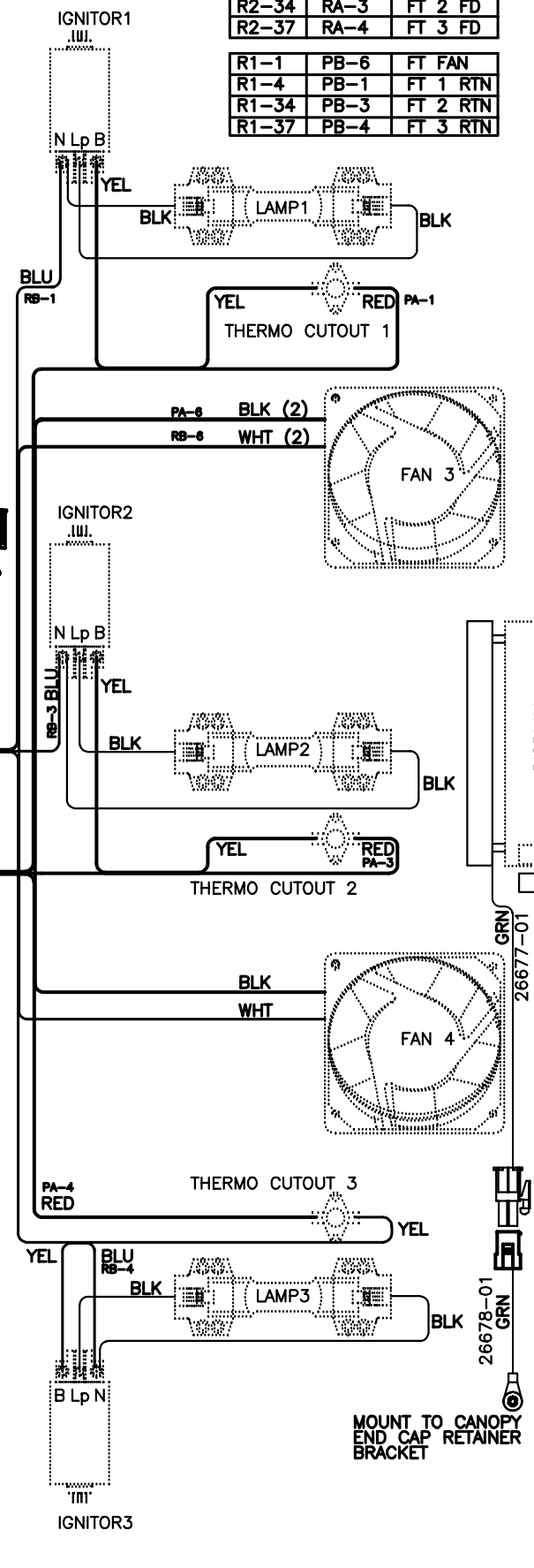
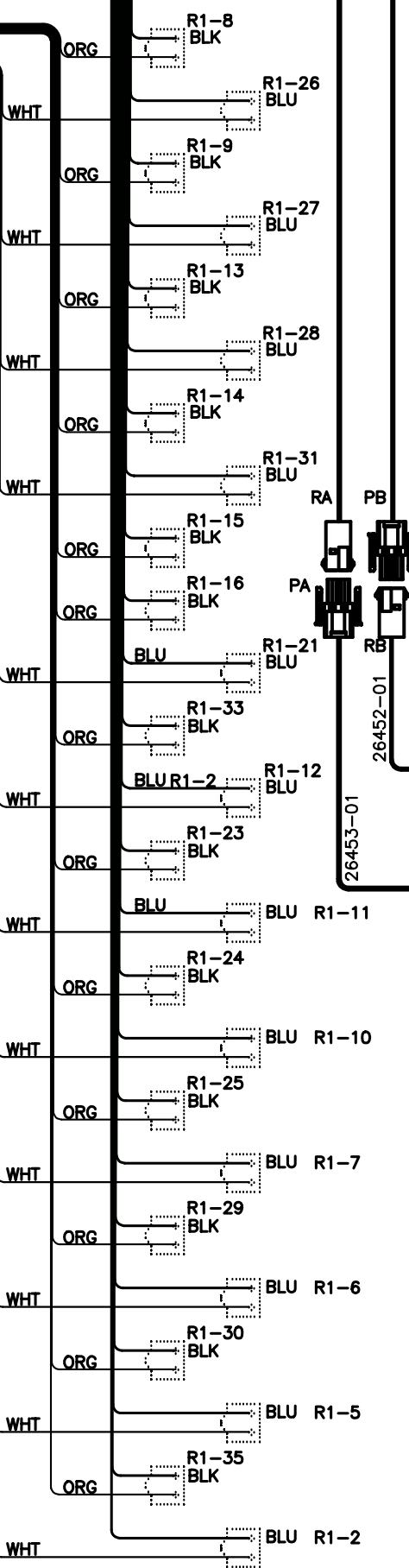
- VIO R2-8
- WHT R2-26
- VIO R2-9
- WHT R2-27
- VIO R2-13
- WHT R2-28
- VIO R2-14
- WHT R2-31
- VIO R2-15
- WHT R2-16
- WHT R2-21
- VIO R2-33
- WHT R2-12
- VIO R2-23
- WHT R2-11
- VIO R2-24
- WHT R2-10
- VIO R2-25
- WHT R2-7
- VIO R2-29
- WHT R2-6
- VIO R2-30
- WHT R2-5
- VIO R2-35
- WHT R2-2

SOLAR FORCE 648
26682-01, REV A
CANOPY

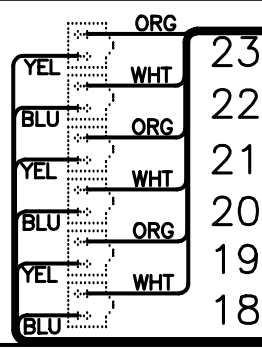
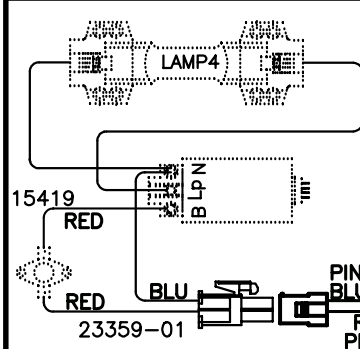
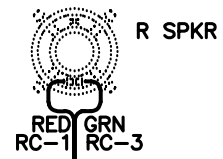


FRONT OF BED

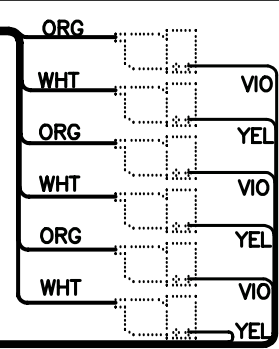
- 25
- 24
- 23
- 22
- 21
- 20
- 19
- 18
- 17
- 16
- 15
- 14
- 13
- 12
- 11
- 10
- 9
- 8
- 7
- 6
- 5
- 4
- 3
- 2
- 1



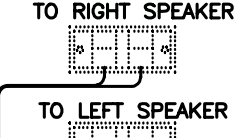
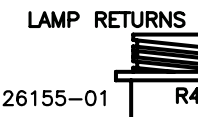
MOUNT TO CANOPY
END CAP RETAINER
BRACKET



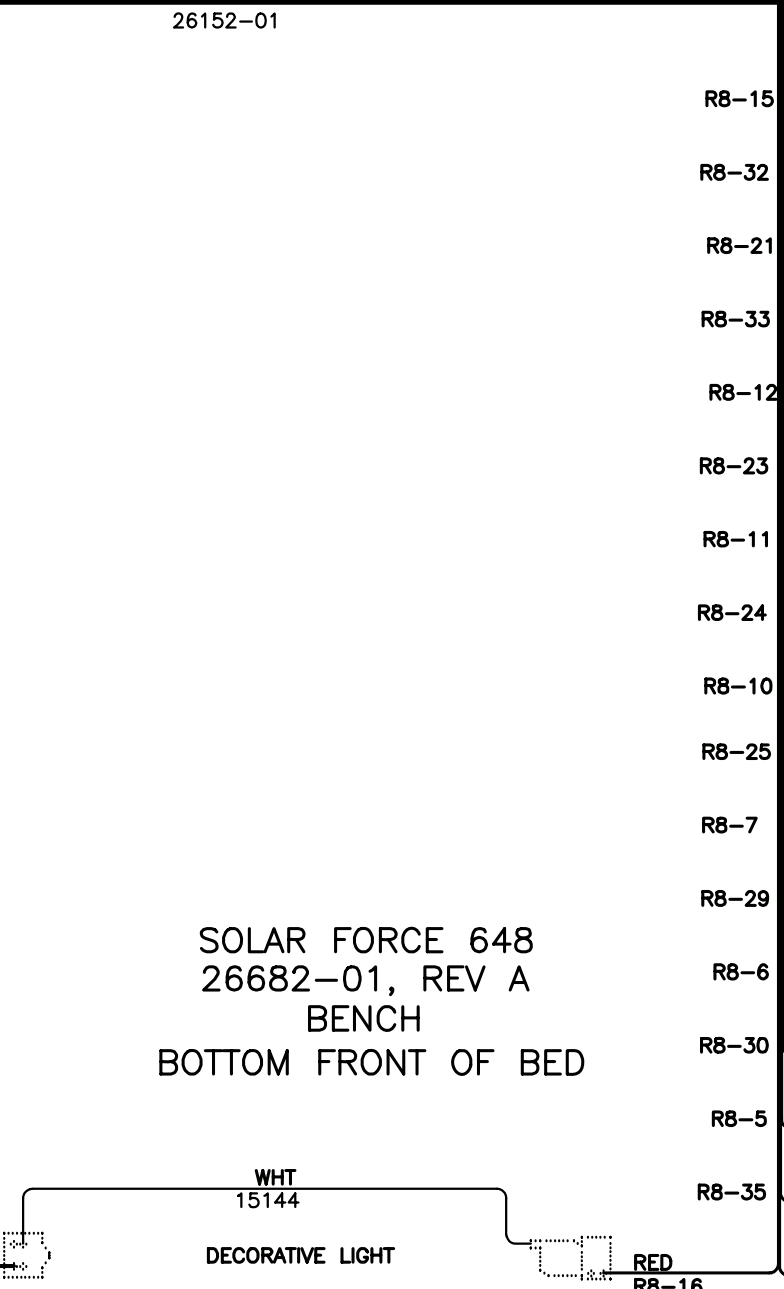
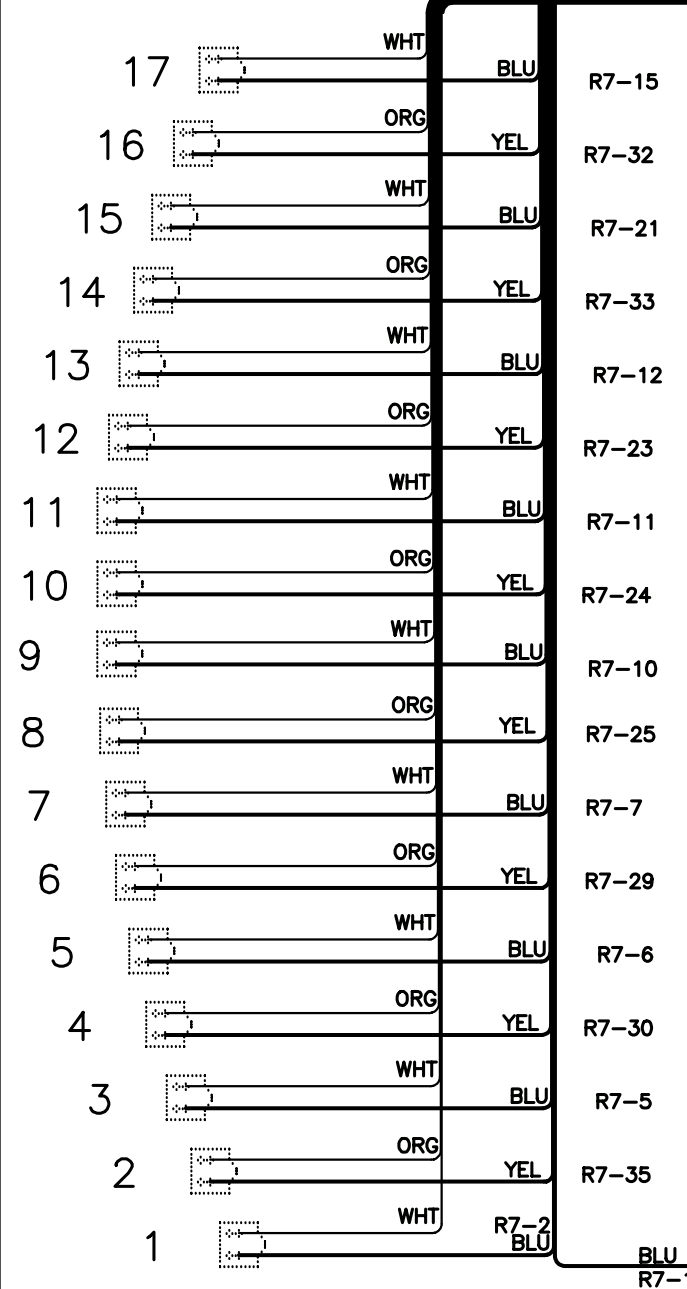
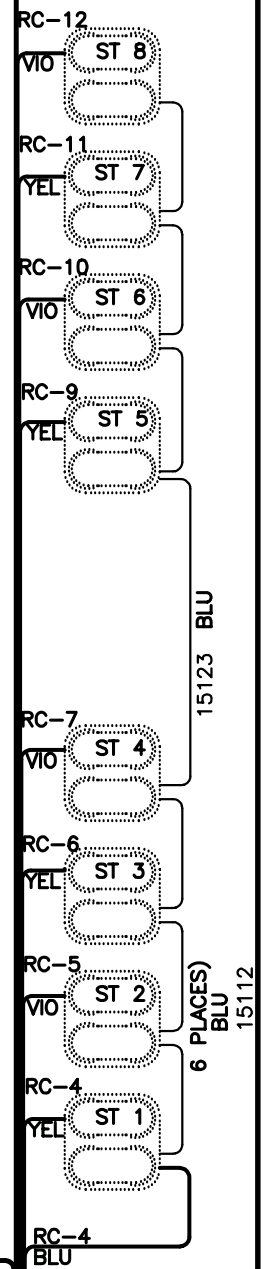
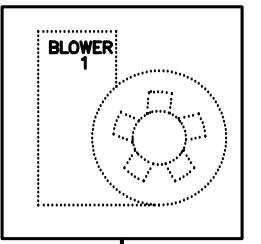
26153-01
REAR SECTION



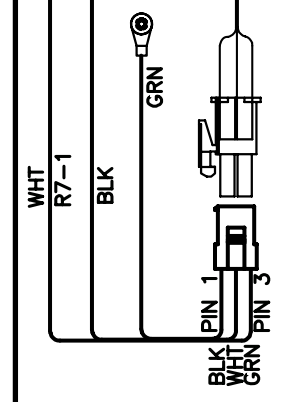
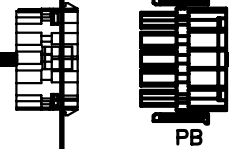
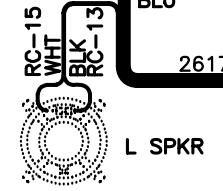
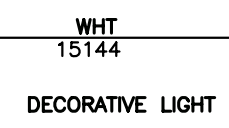
RIGHT PEDESTAL
HEADEND

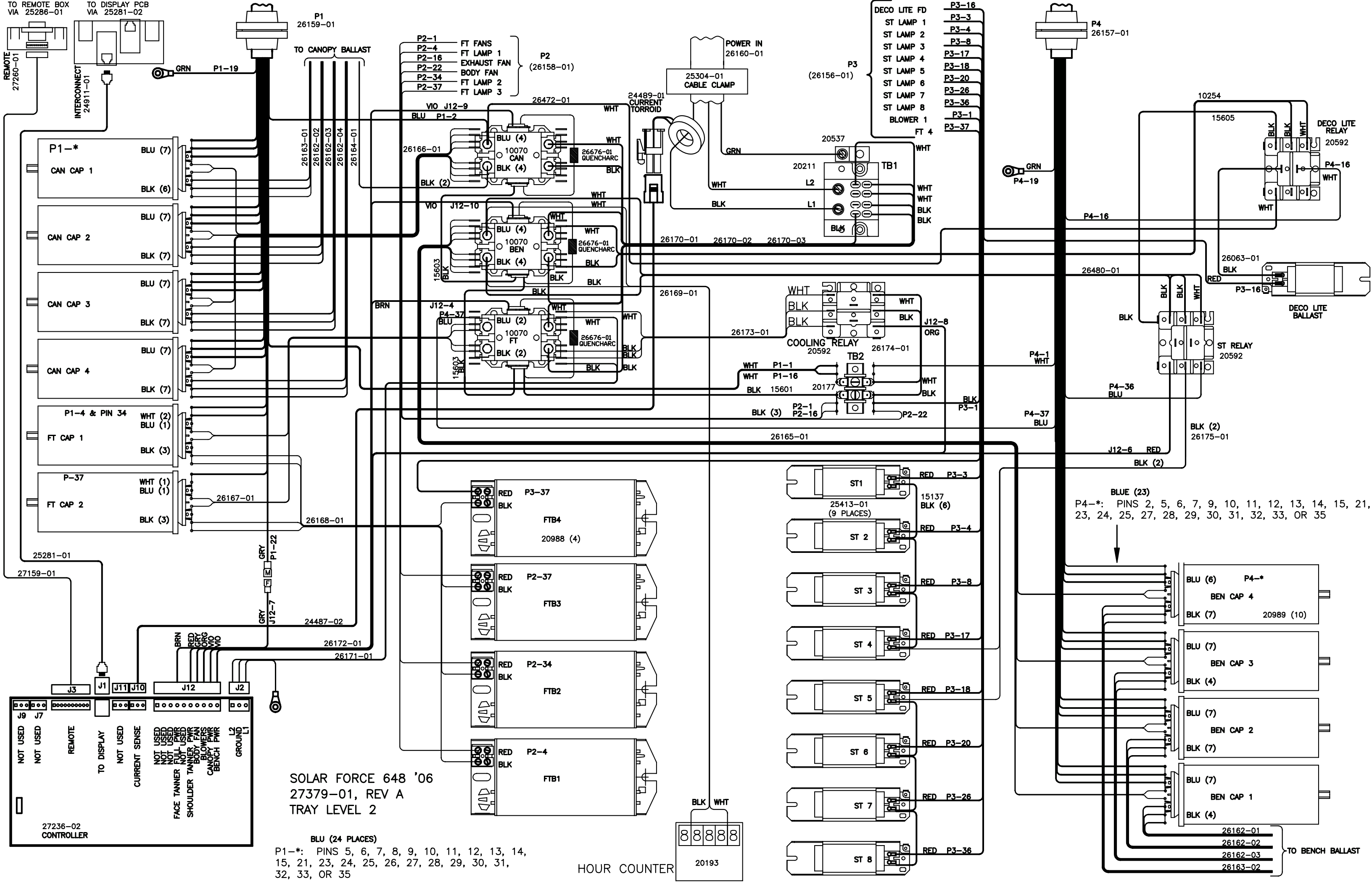


LEFT PEDESTAL
FOOTEND



SOLAR FORCE 648
26682-01, REV A
BENCH
BOTTOM FRONT OF BED





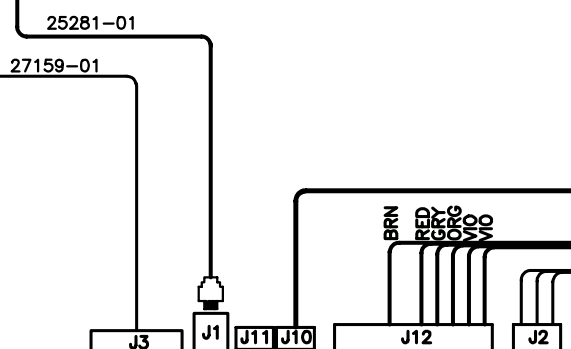
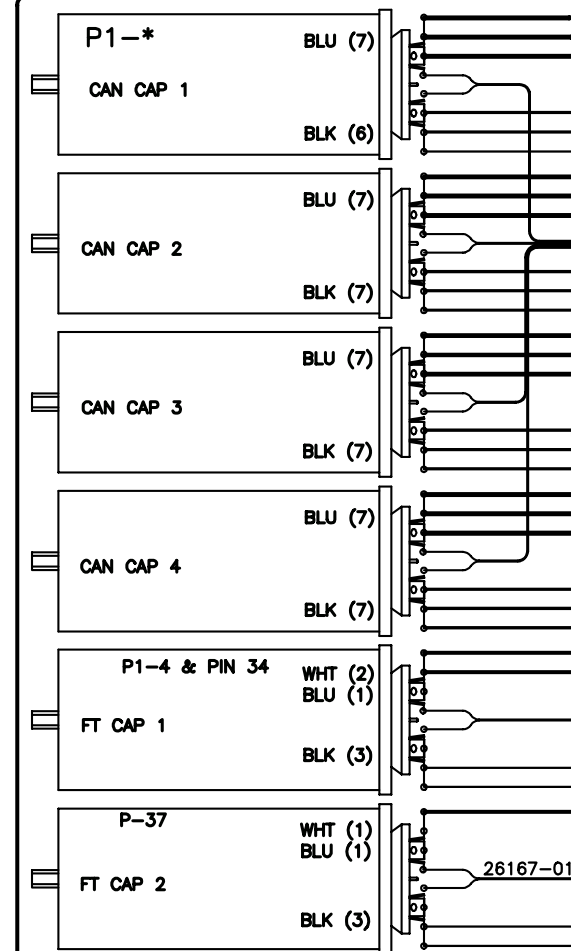
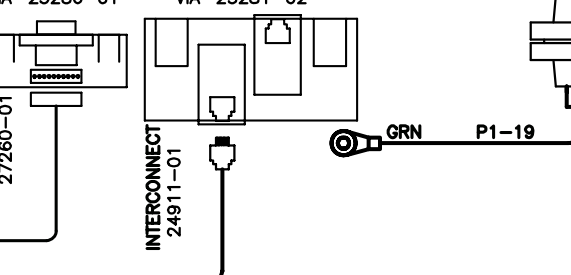
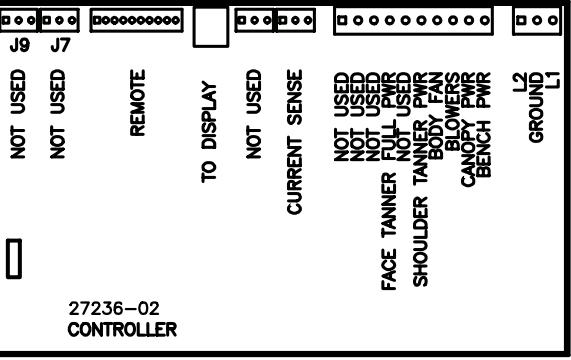
DECO LITE FD	P3-16
ST LAMP 1	P3-3
ST LAMP 2	P3-4
ST LAMP 3	P3-8
ST LAMP 4	P3-17
ST LAMP 5	P3-18
ST LAMP 6	P3-20
ST LAMP 7	P3-26
ST LAMP 8	P3-36
BLOWER 1	P3-1
FT 4	P3-37

BLUE (23)
P4-*: PINS 2, 5, 6, 7, 9, 10, 11, 12, 13, 14, 15, 21, 23, 24, 25, 27, 28, 29, 30, 31, 32, 33, OR 35

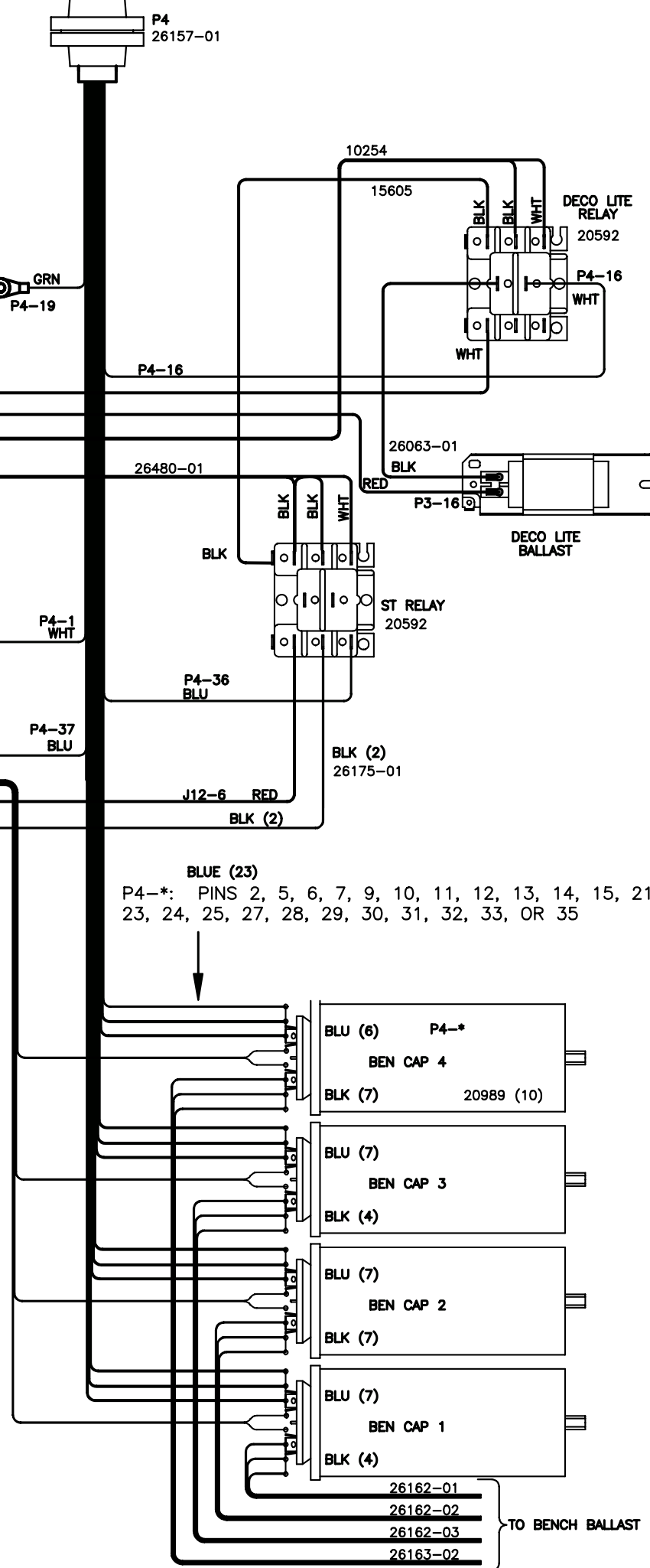
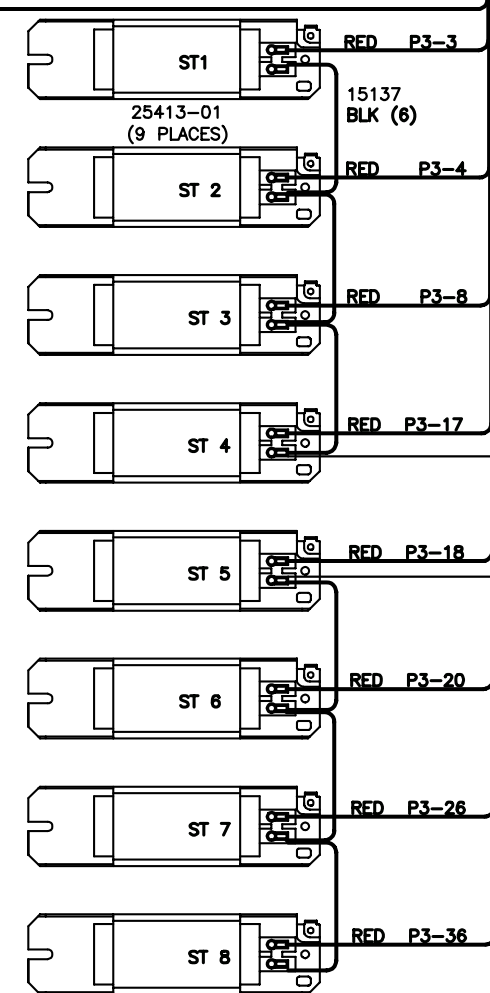
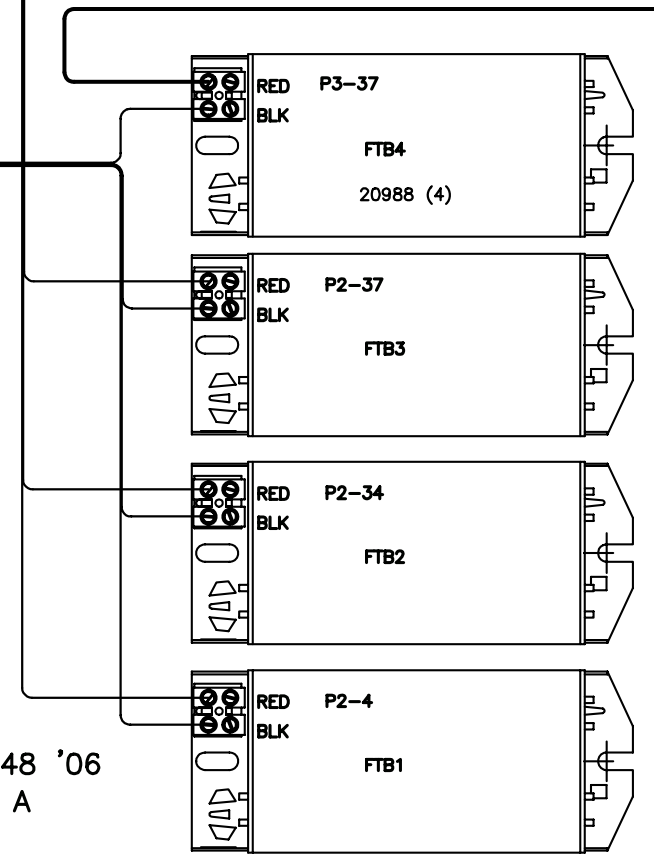
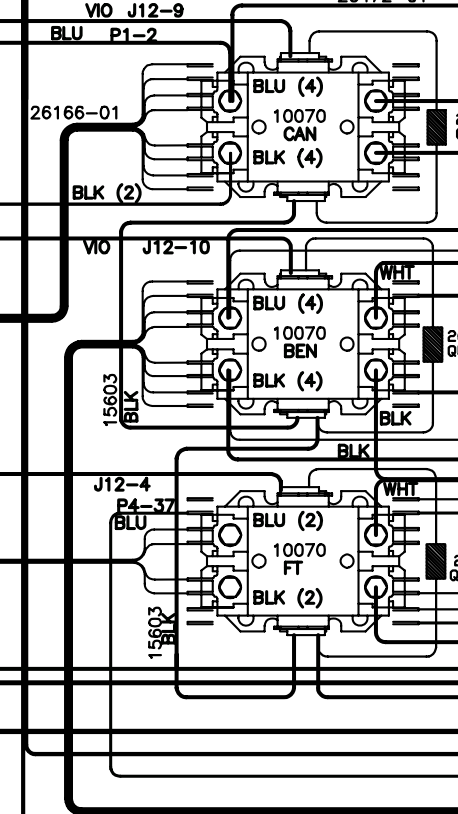
SOLAR FORCE 648 '06
27379-01, REV A
TRAY LEVEL 2

BLU (24 PLACES)
P1-*: PINS 5, 6, 7, 8, 9, 10, 11, 12, 13, 14, 15, 21, 23, 24, 25, 26, 27, 28, 29, 30, 31, 32, 33, OR 35

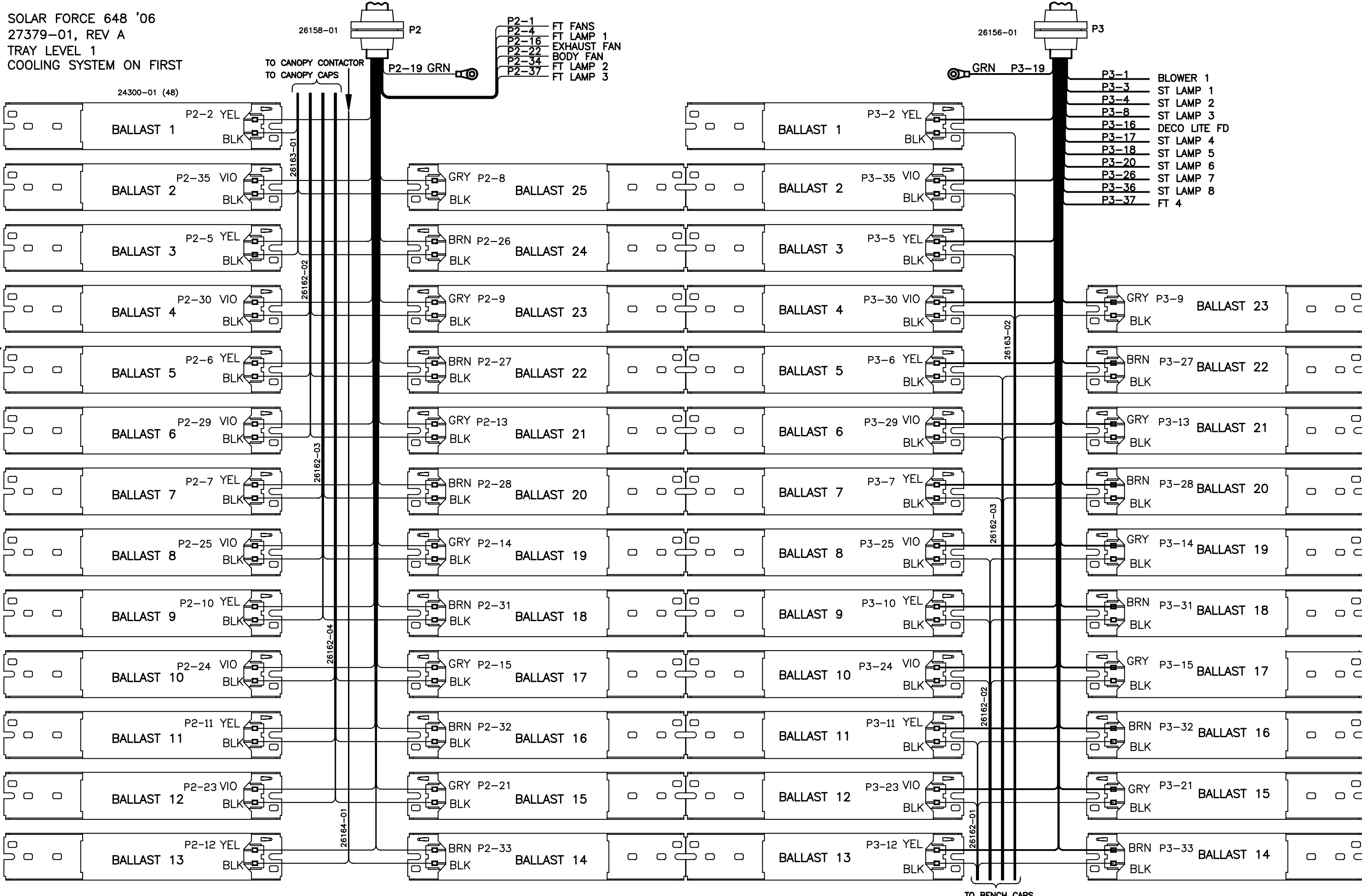
HOUR COUNTER
20193



- P2-1 FT FANS
- P2-4 FT LAMP 1
- P2-16 EXHAUST FAN
- P2-22 BODY FAN
- P2-34 FT LAMP 2
- P2-37 FT LAMP 3



SOLAR FORCE 648 '06
 27379-01, REV A
 TRAY LEVEL 1
 COOLING SYSTEM ON FIRST



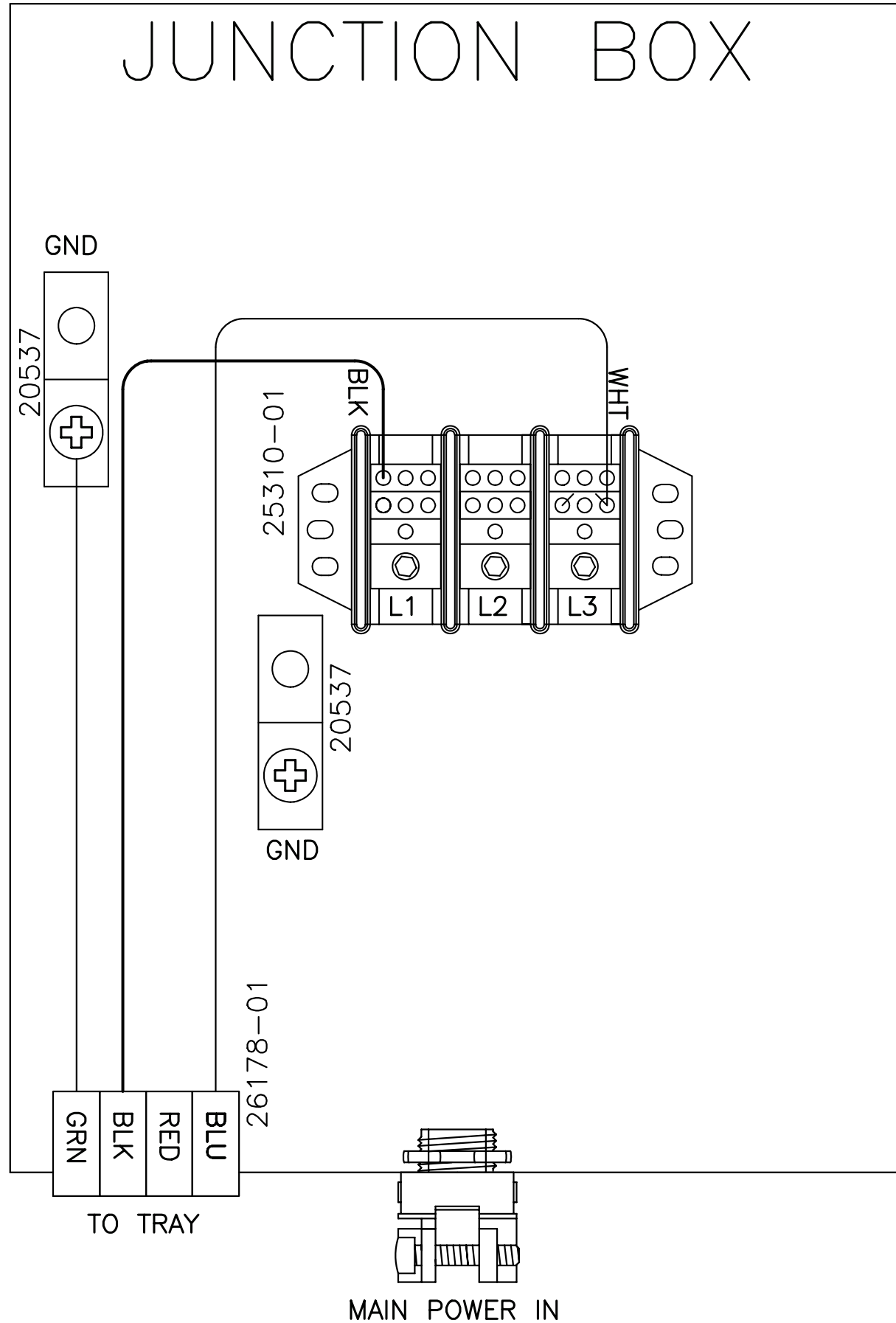
- P2-1 FT FANS
- P2-4 FT LAMP 1
- P2-16 EXHAUST FAN
- P2-22 BODY FAN
- P2-34 FT LAMP 2
- P2-37 FT LAMP 3

- P3-1 BLOWER 1
- P3-3 ST LAMP 1
- P3-4 ST LAMP 2
- P3-8 ST LAMP 3
- P3-16 DECO LITE FD
- P3-17 ST LAMP 4
- P3-18 ST LAMP 5
- P3-20 ST LAMP 6
- P3-26 ST LAMP 7
- P3-36 ST LAMP 8
- P3-37 FT 4

TO CANOPY CONTACTOR
 TO CANOPY CAPS

TO BENCH CAPS

27378-01, REV A
 648 SERIES '06
 JUNCTION BOX
 TIMER SYSTEM



REMOTE TIMER ASSY

