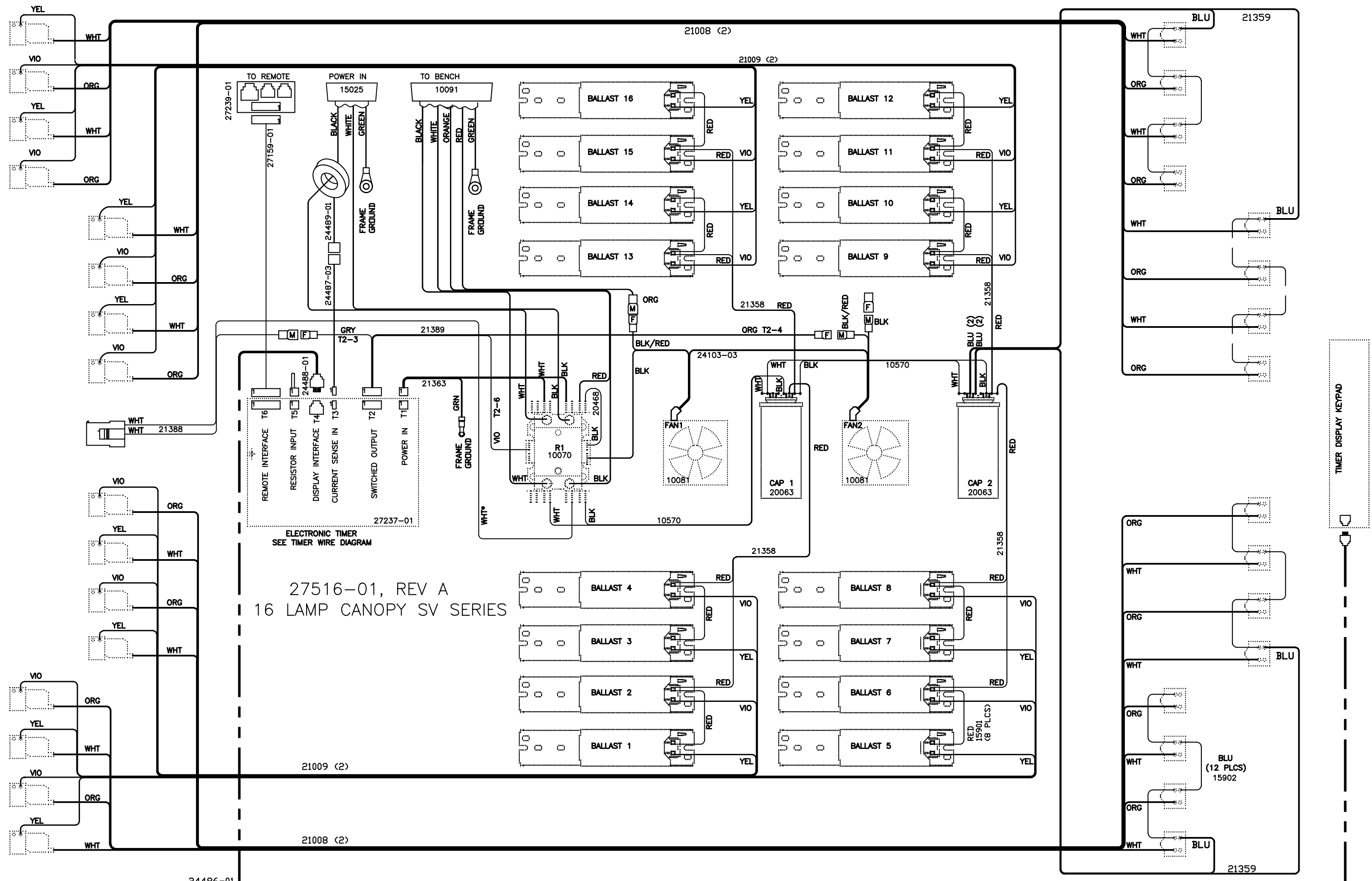


27516-01, REV A
16 LAMP CANOPY SV SERIES



21008 (2)

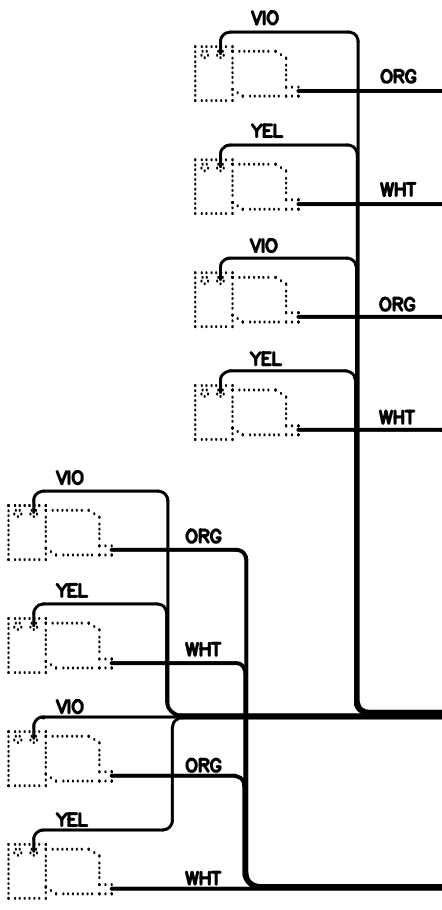
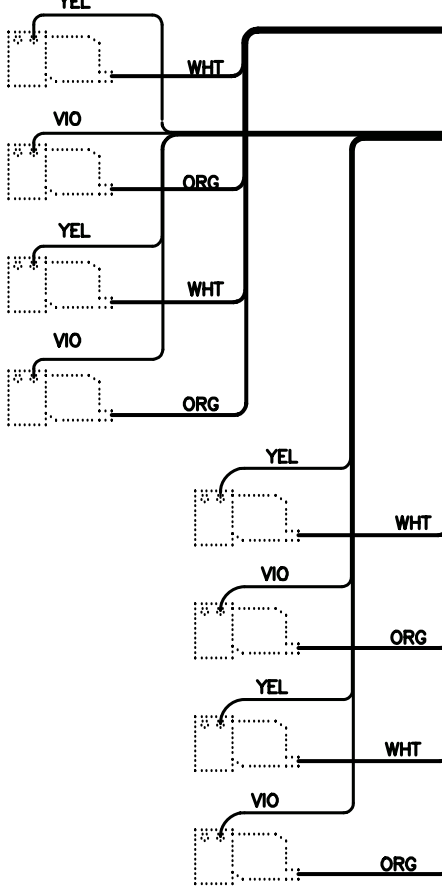
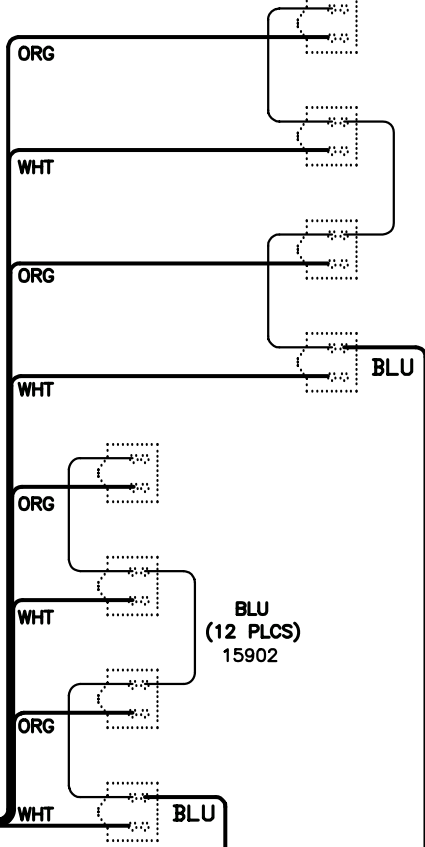
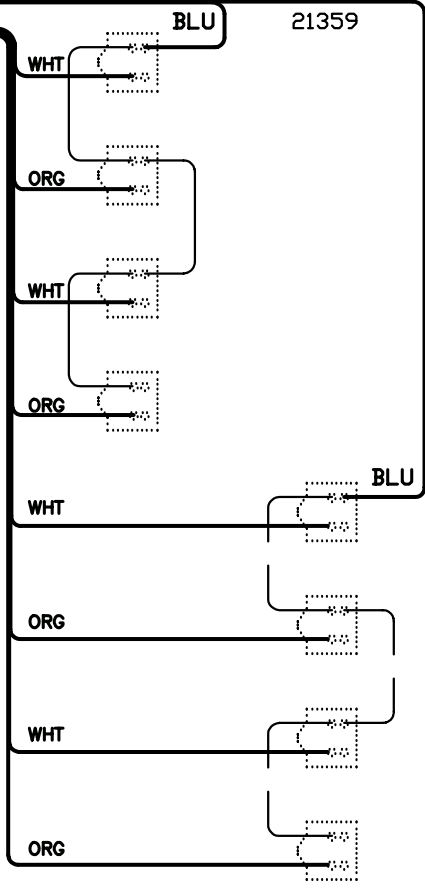
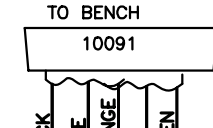
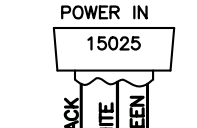
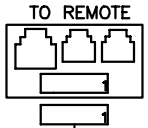
21009 (2)

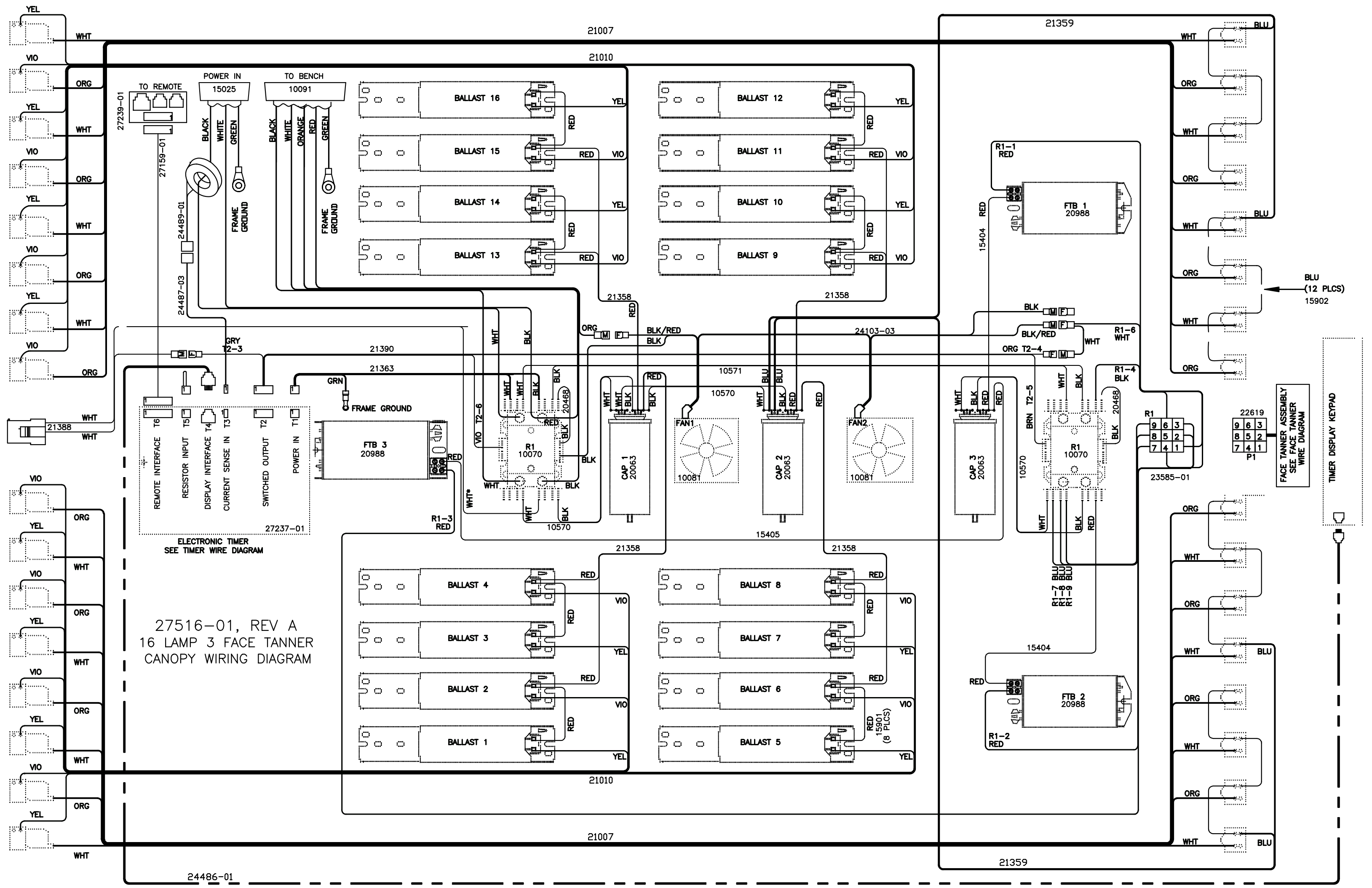
21009 (2)

21008 (2)

21359

TIMER DISPLAY KEYPAD





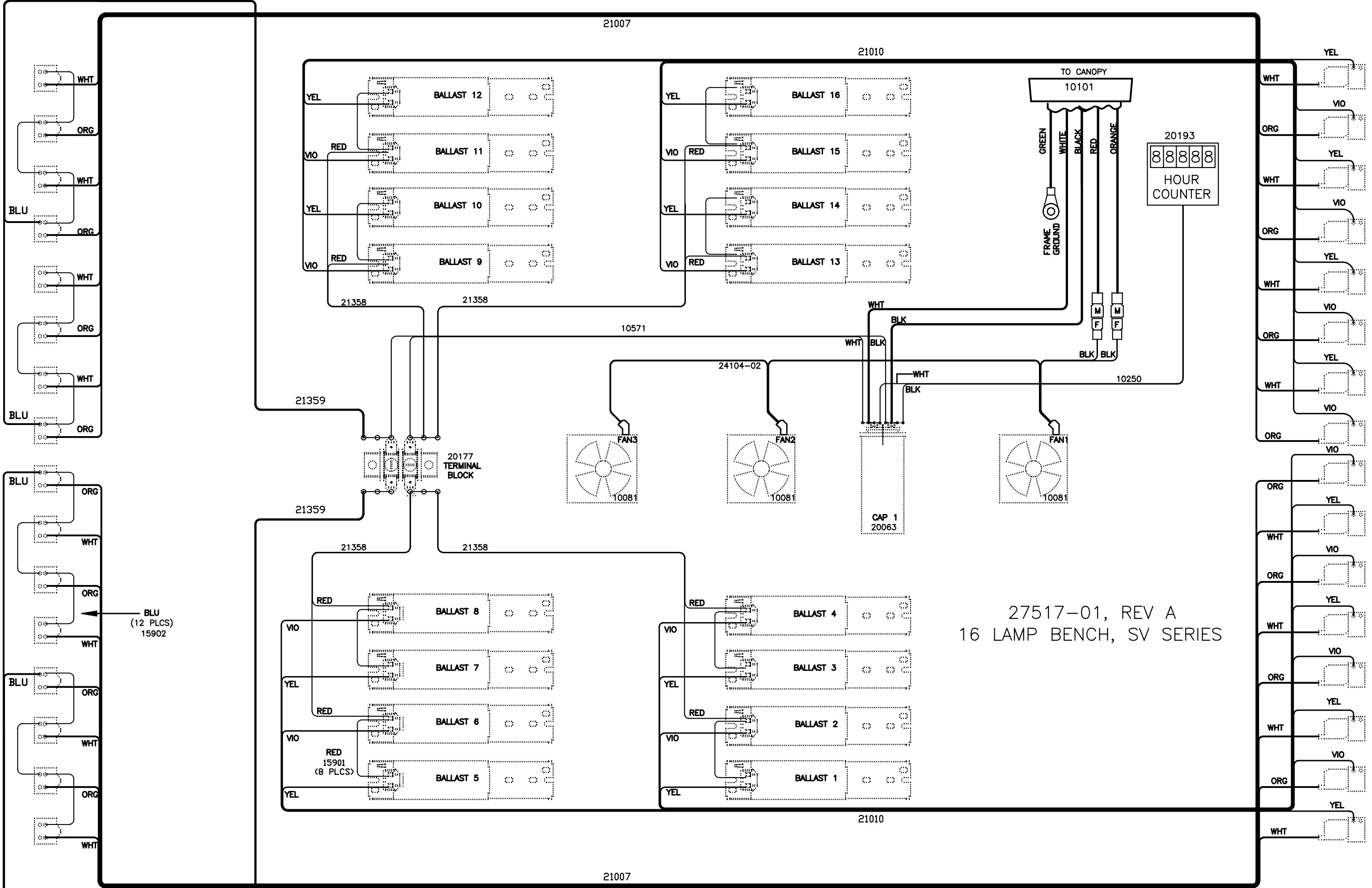
27516-01, REV A
 16 LAMP 3 FACE TANNER
 CANOPY WIRING DIAGRAM

ELECTRONIC TIMER
 SEE TIMER WIRE DIAGRAM

FACE TANNER ASSEMBLY
 SEE FACE TANNER
 WIRE DIAGRAM

TIMER DISPLAY KEYPAD

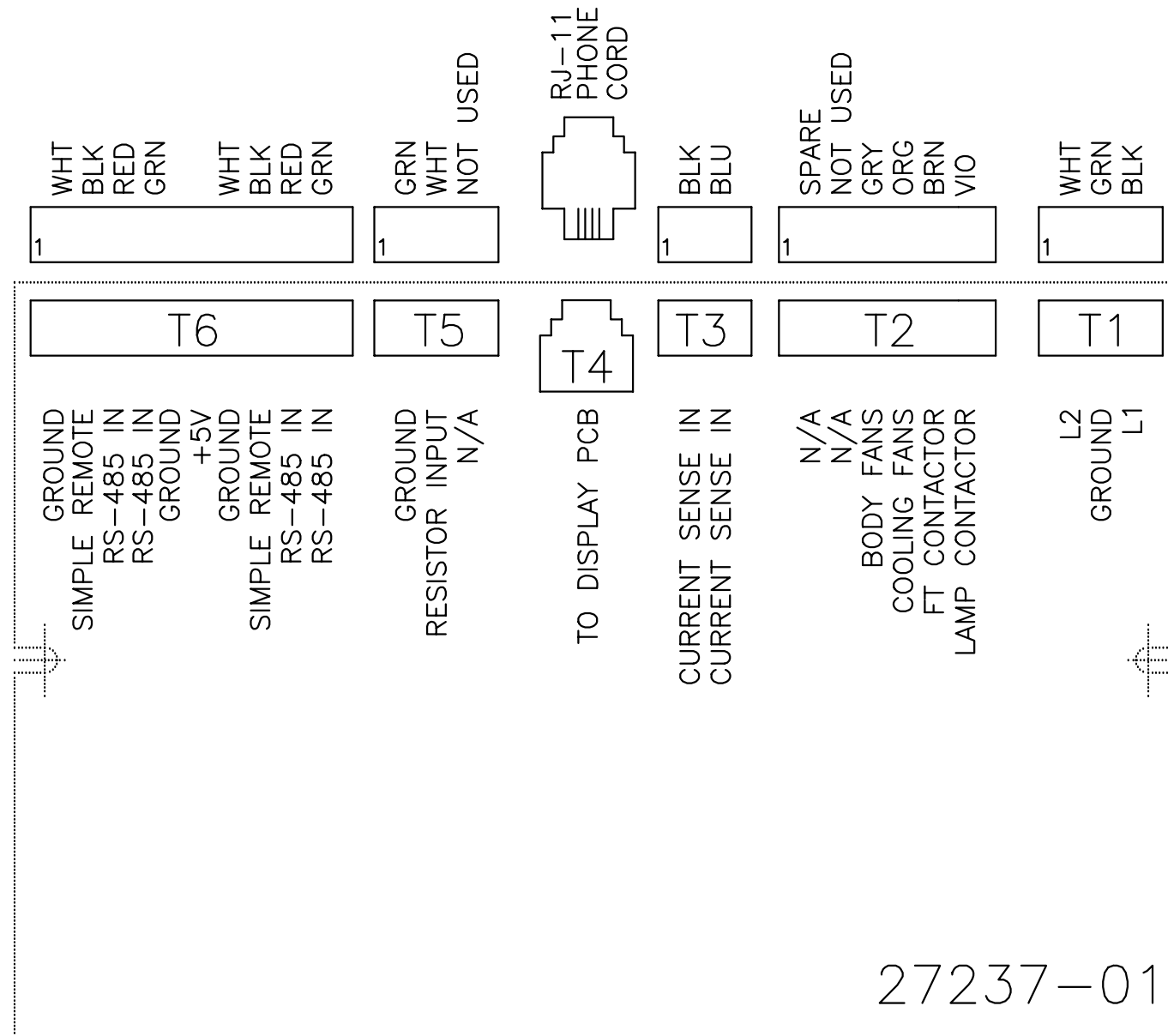
BLU
 (12 PLCS)
 15902



27517-01, REV A
16 LAMP BENCH, SV SERIES

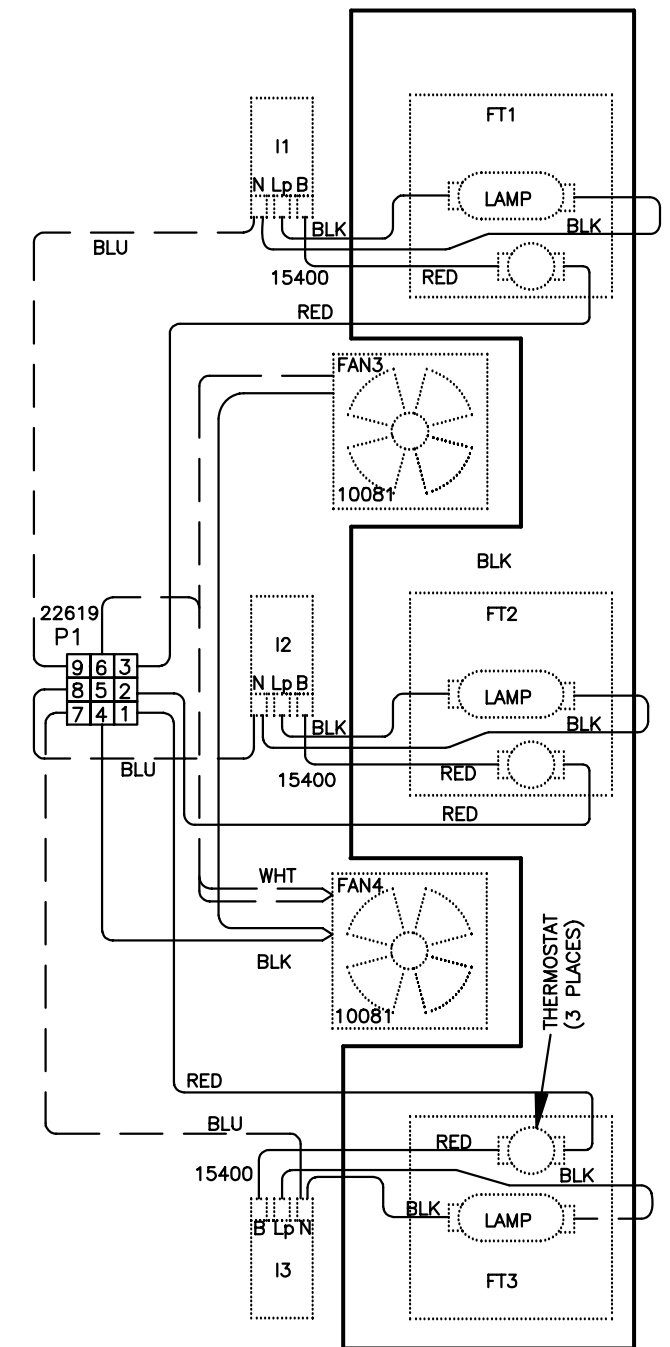
27517-01, REV A

16LAMP 3 FACE TANNER & TIMER



27237-01

ELECTRONIC TIMER CONNECTOR DIAGRAM



FACE TANNER SHROUD WIRE DIAGRAM