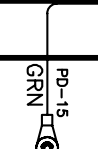
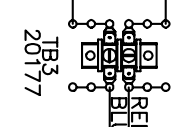
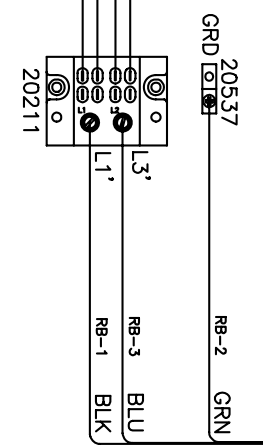
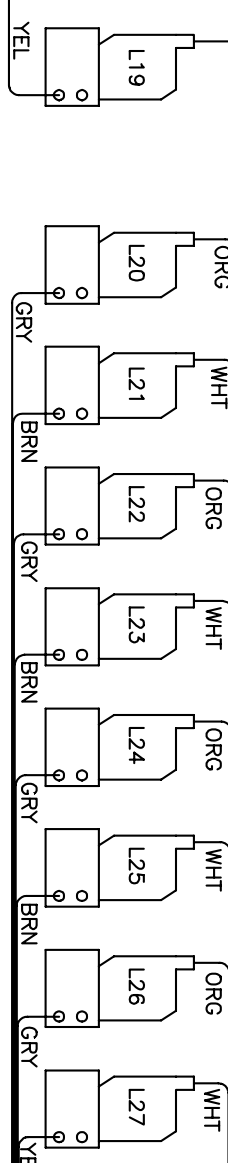
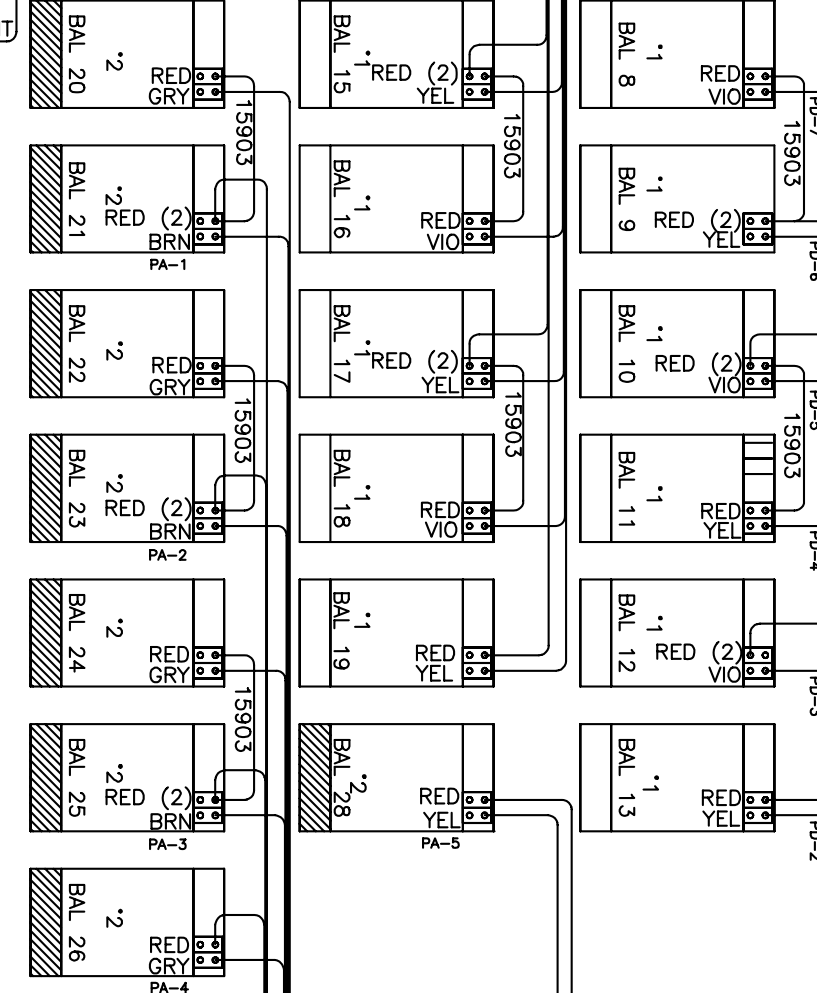
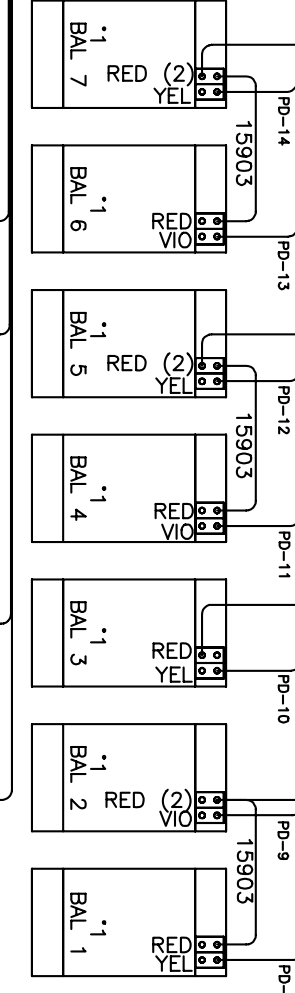
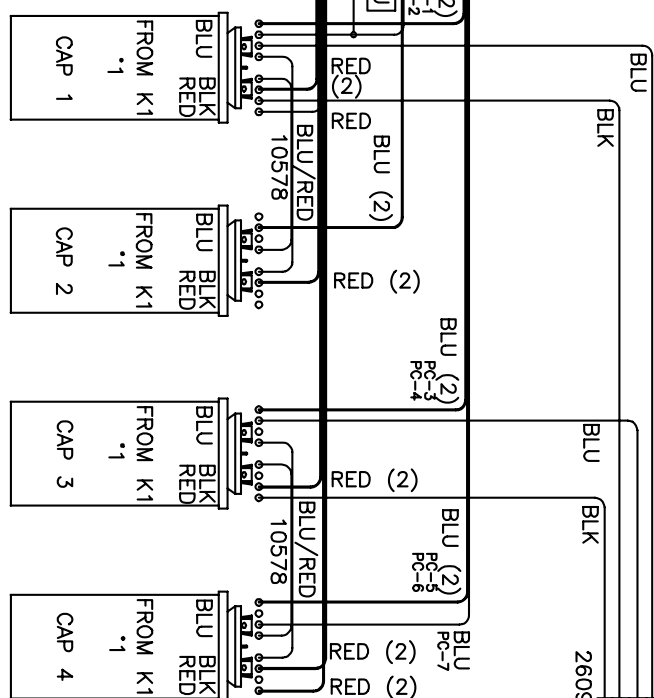
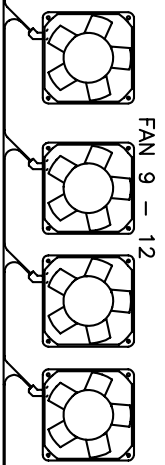
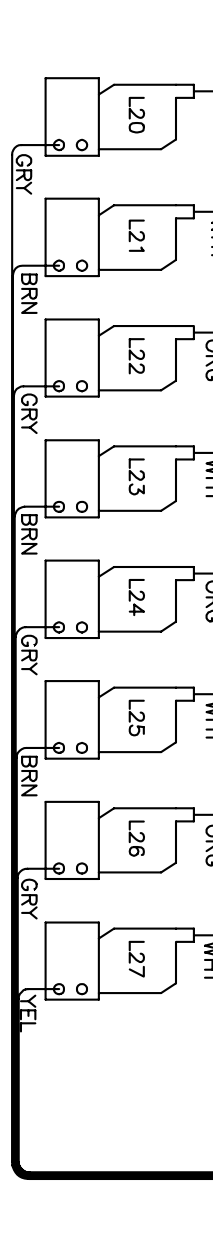
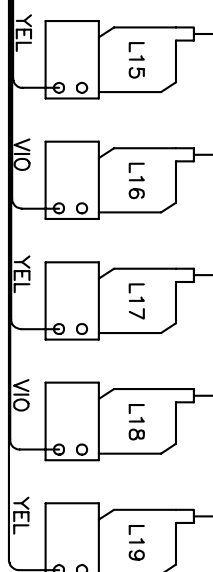
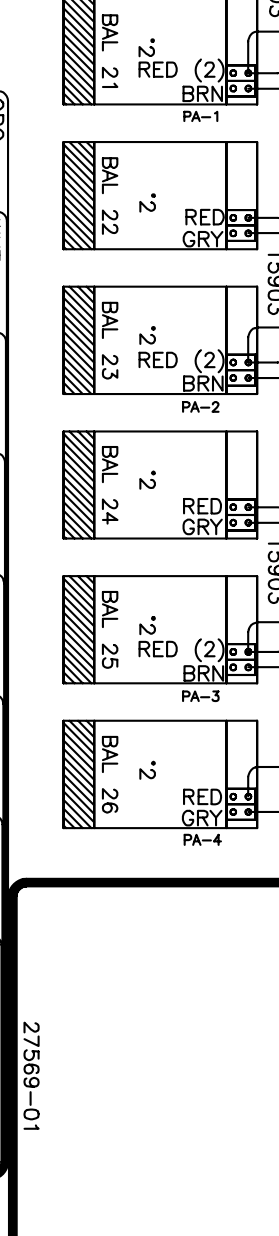
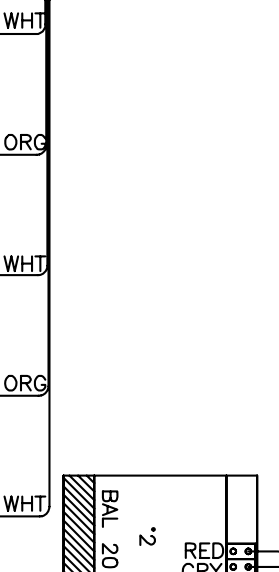
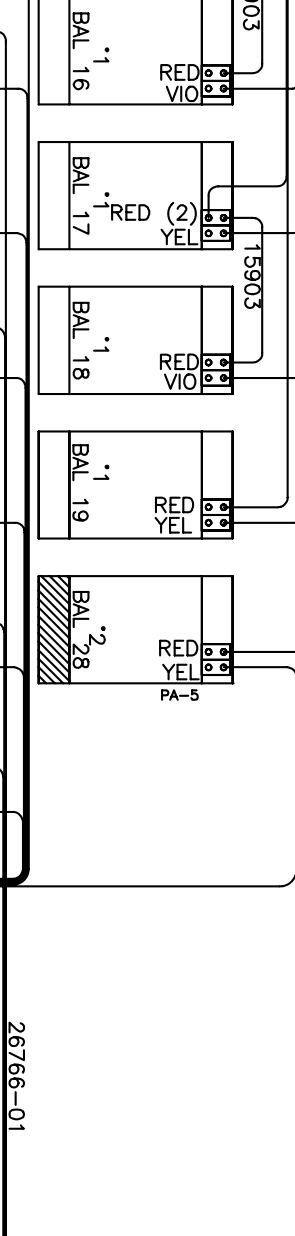
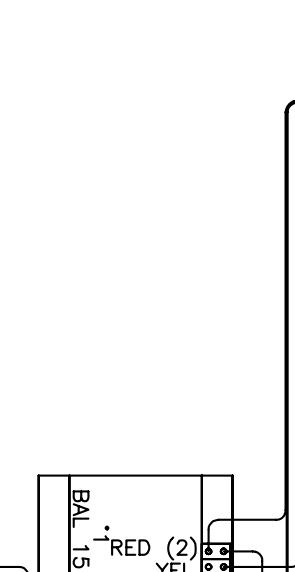
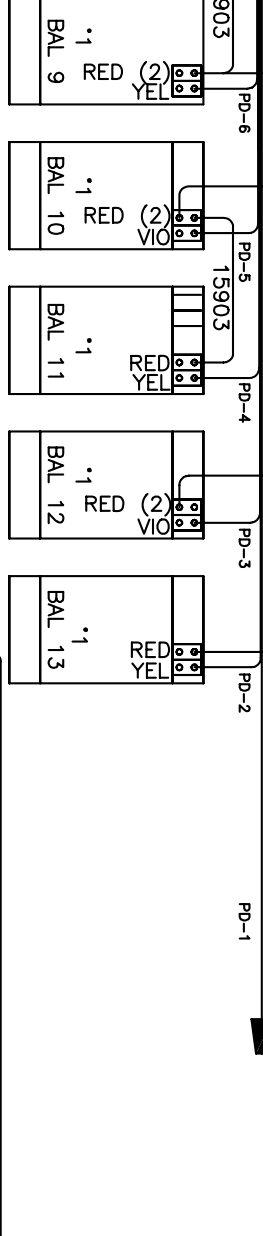
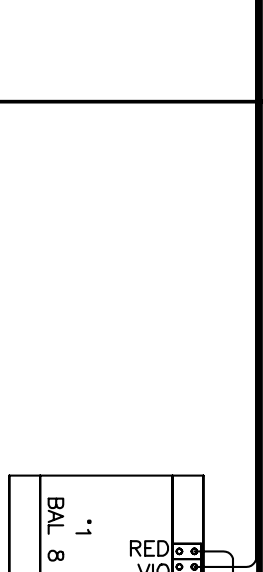
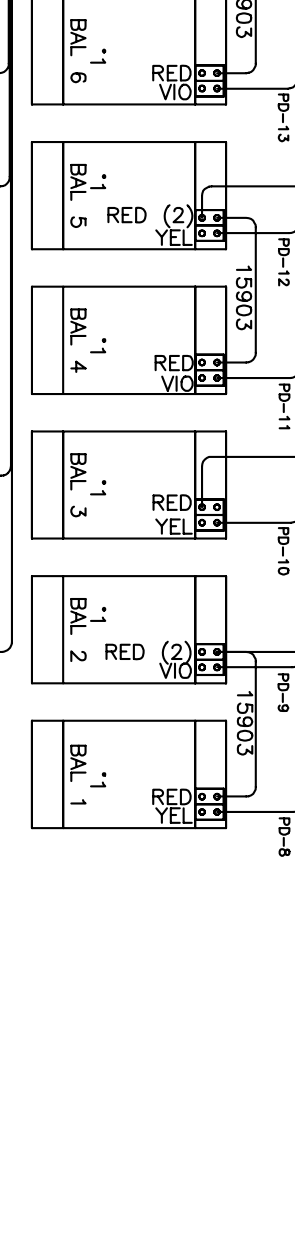
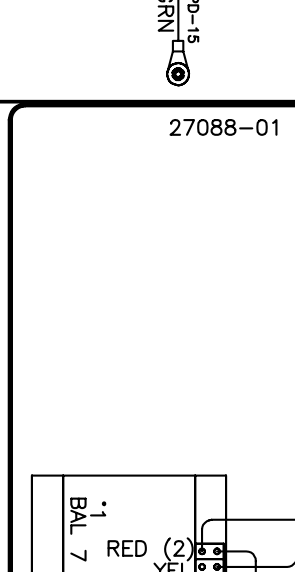
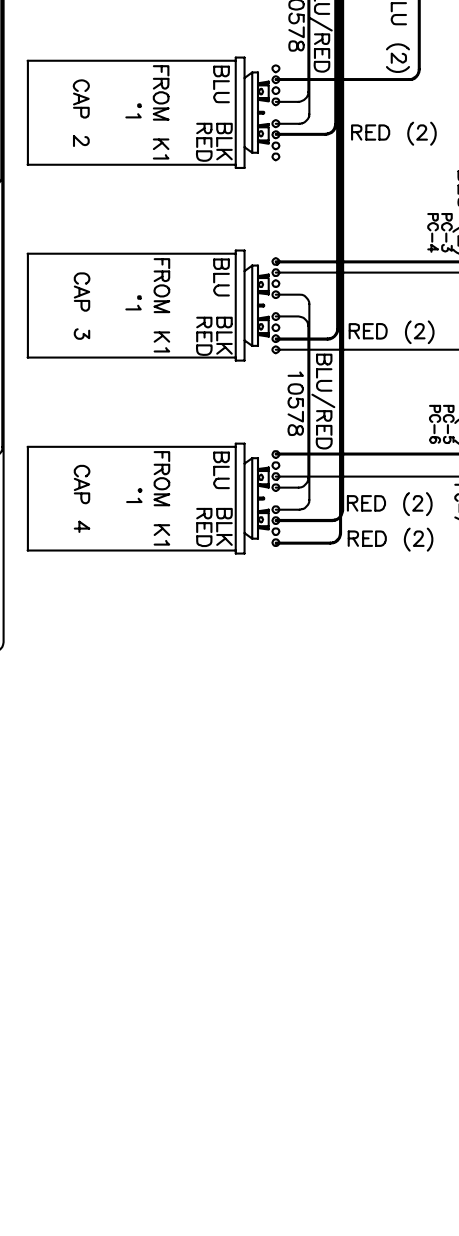
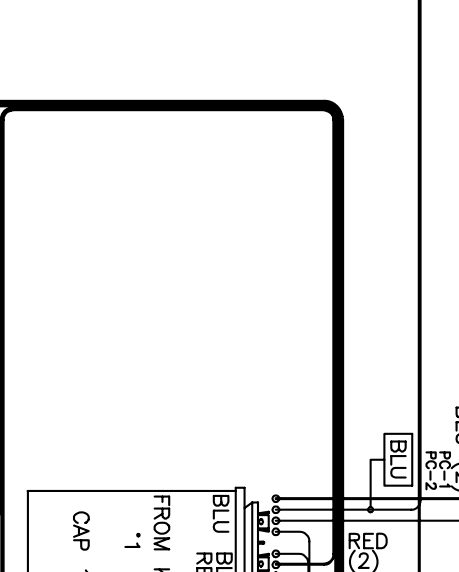
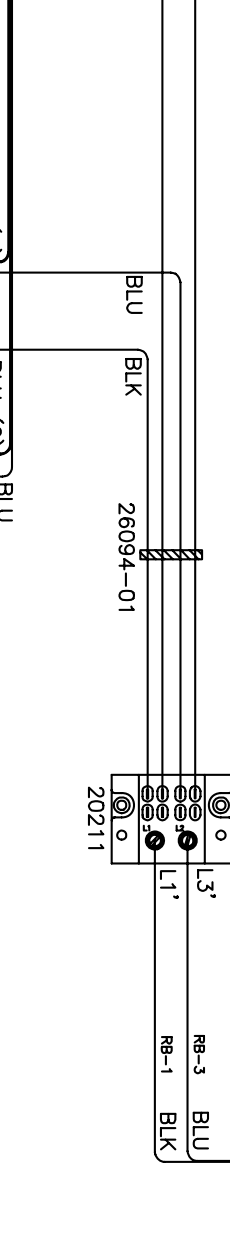
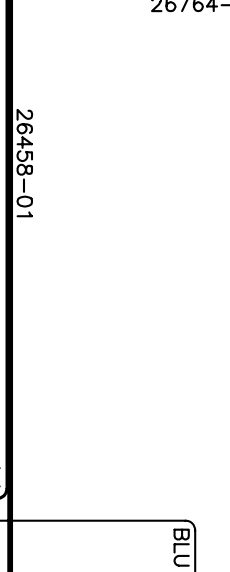
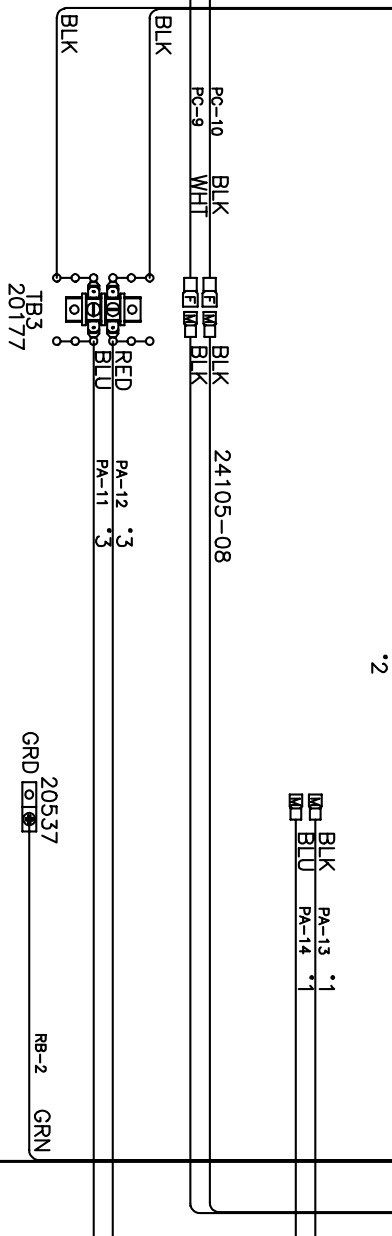
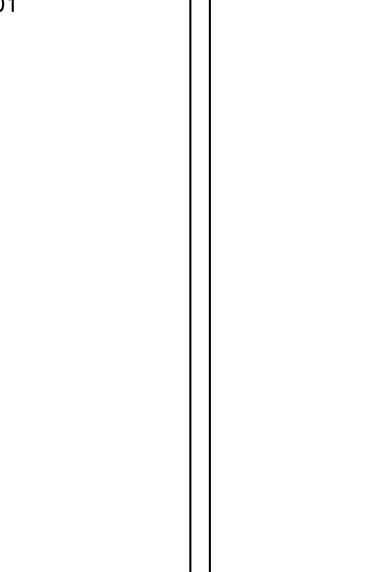
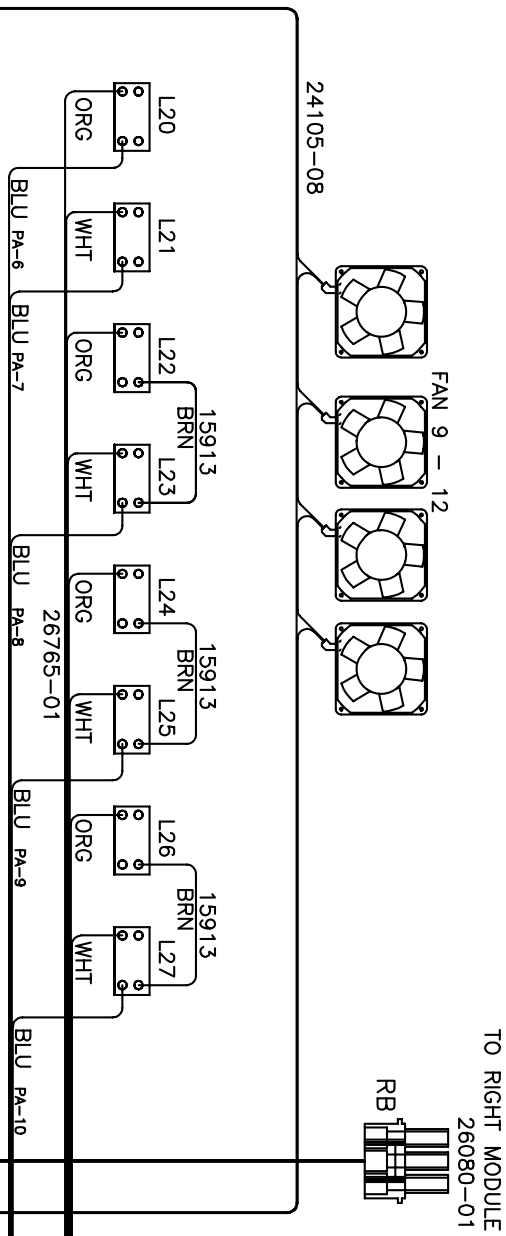
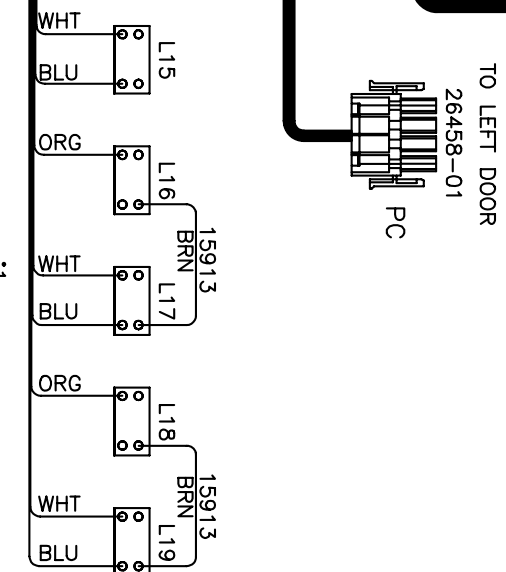
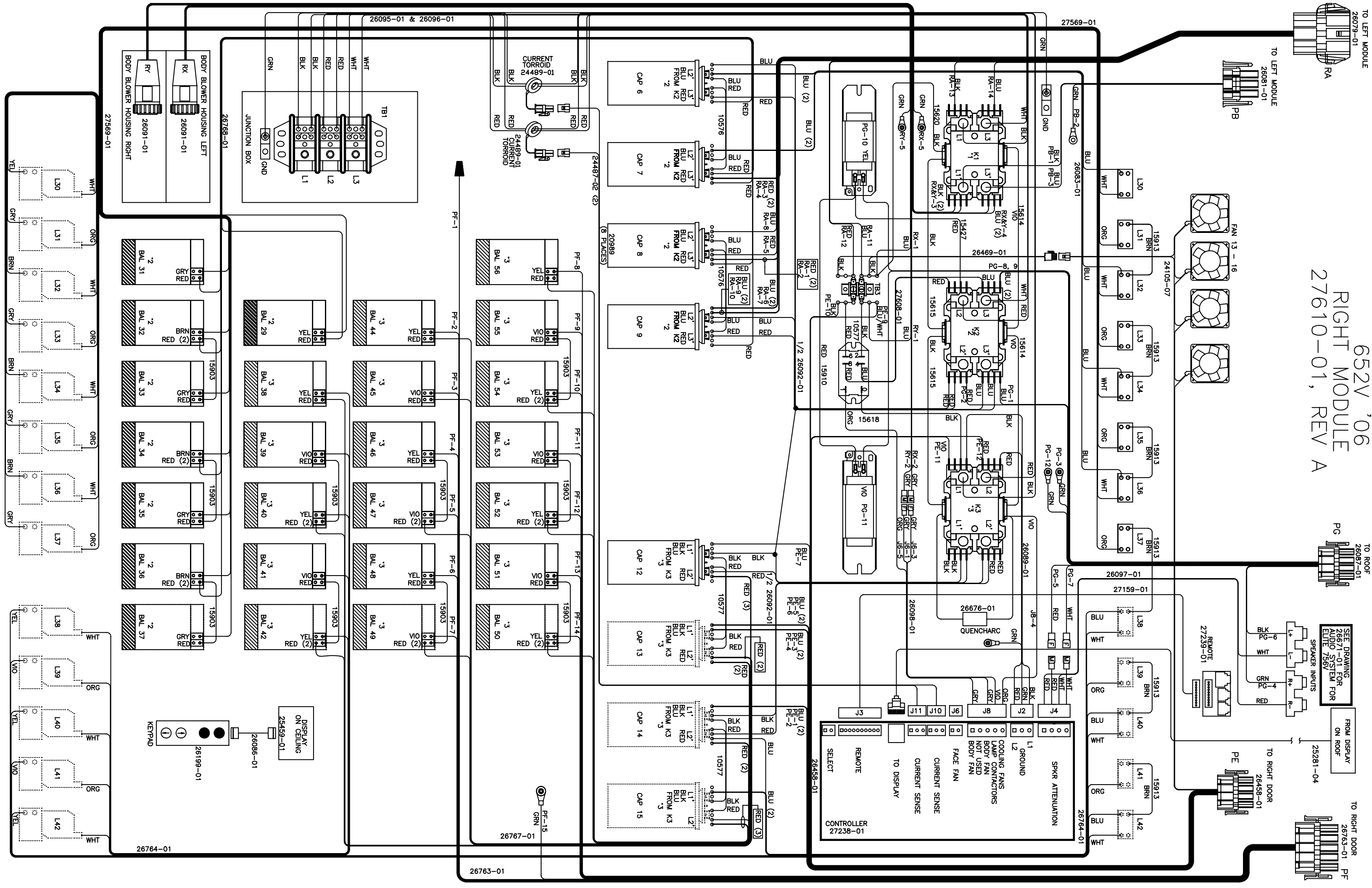


652V '06  
LEFT MODULE  
27610-01, REV A



# 652V '06 RIGHT MODULE 27610-01, REV A



TO LEFT MODULE  
26079-01  
RA

TO RIGHT DOOR  
26763-01  
PF

TO LEFT MODULE  
26081-01  
PB

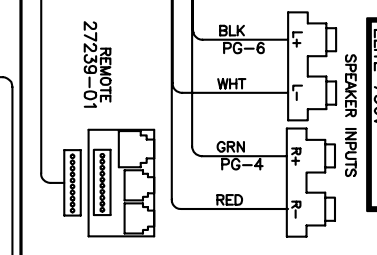
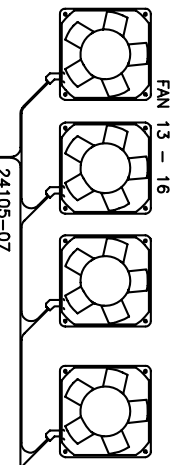
TO ROOF  
26087-01  
PG

TO RIGHT DOOR  
26458-01  
PE

SEE DRAWING  
26671-01 FOR  
AUDIO SYSTEM FOR  
ELITE 756V

FROM DISPLAY  
ON ROOF

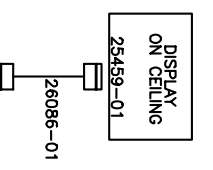
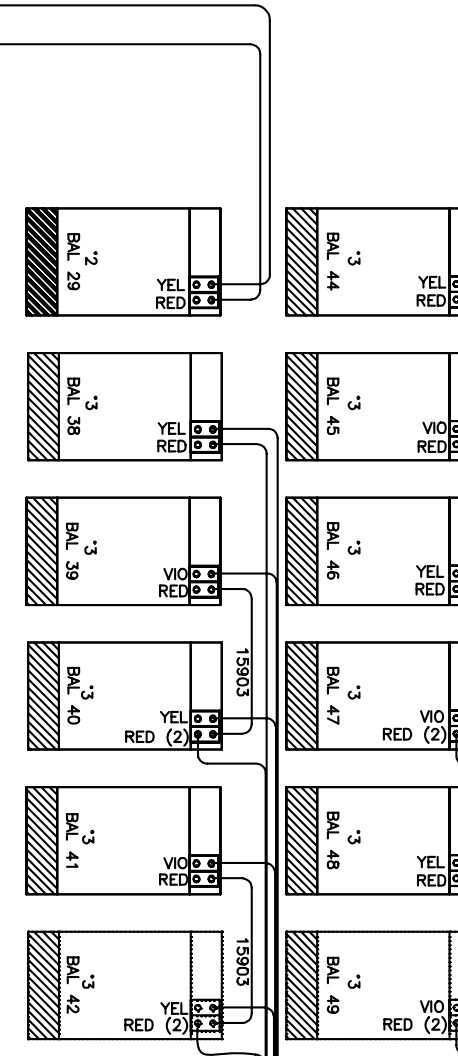
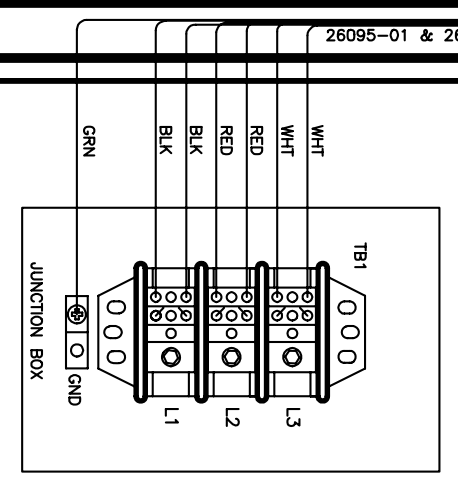
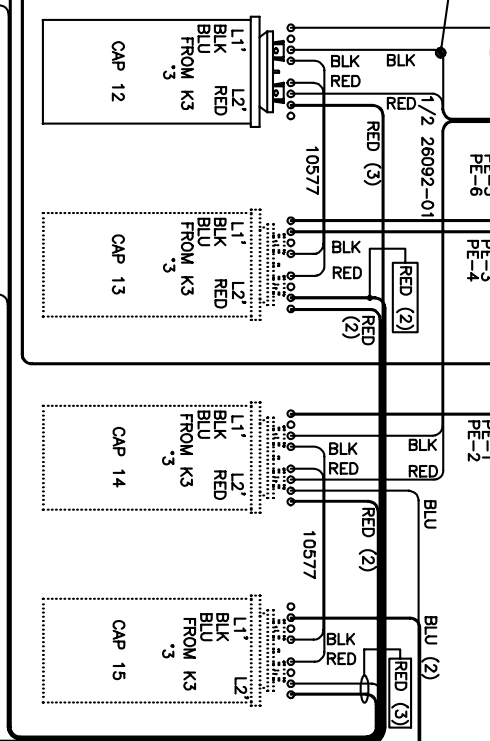
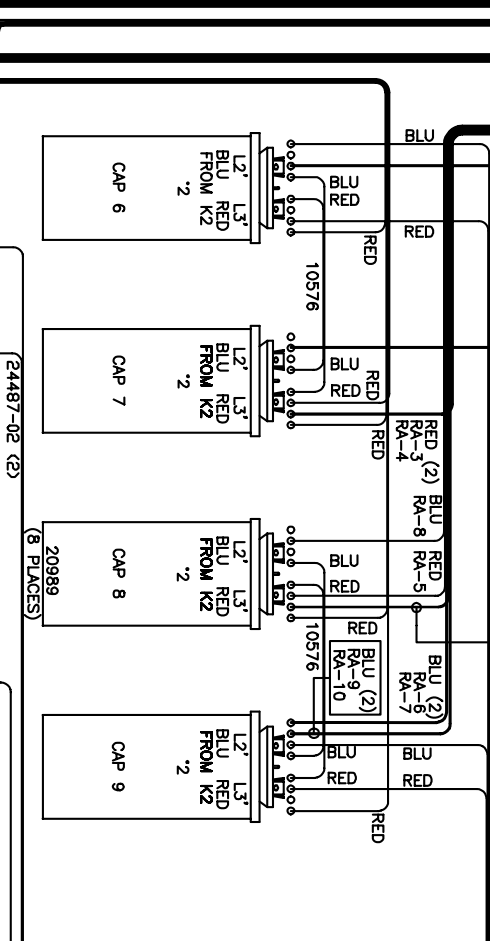
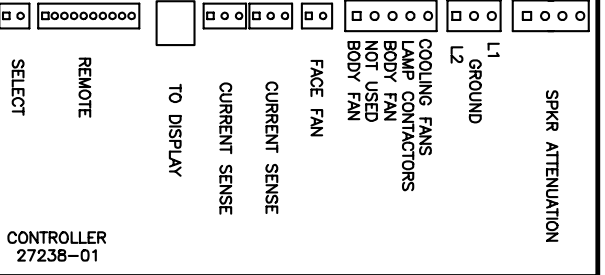
25281-04



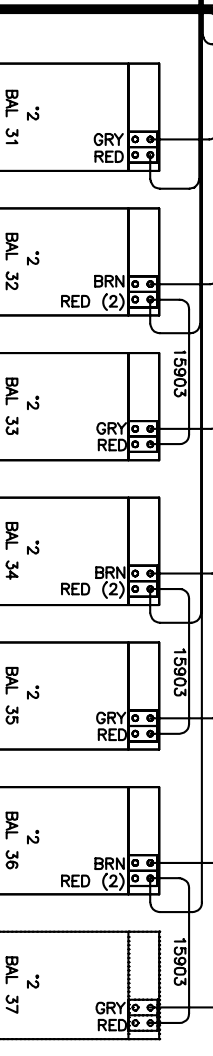
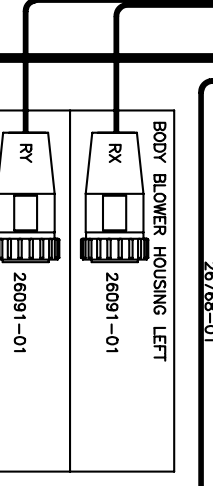
27569-01

26097-01

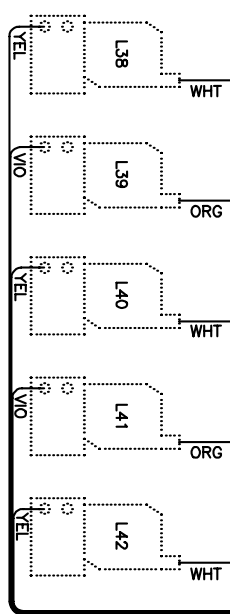
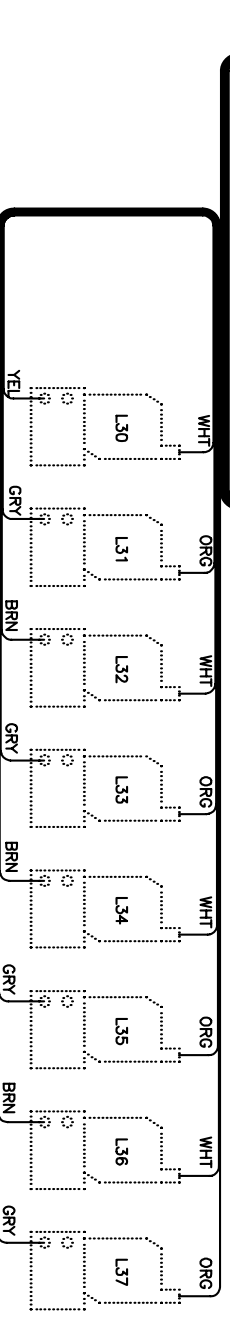
26764-01



26764-01



27569-01

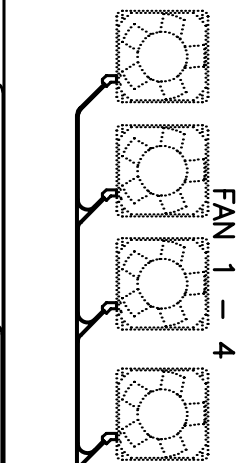
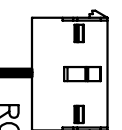


26763-01

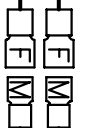
27611-01 REV A  
LEFT DOOR 652V  
WIRING SHOWN FROM LAMP SIDE

FROM LEFT MODULE  
LAMP RETURNS  
26471-01

FROM LEFT MODULE  
LAMP FEEDS  
26072-01

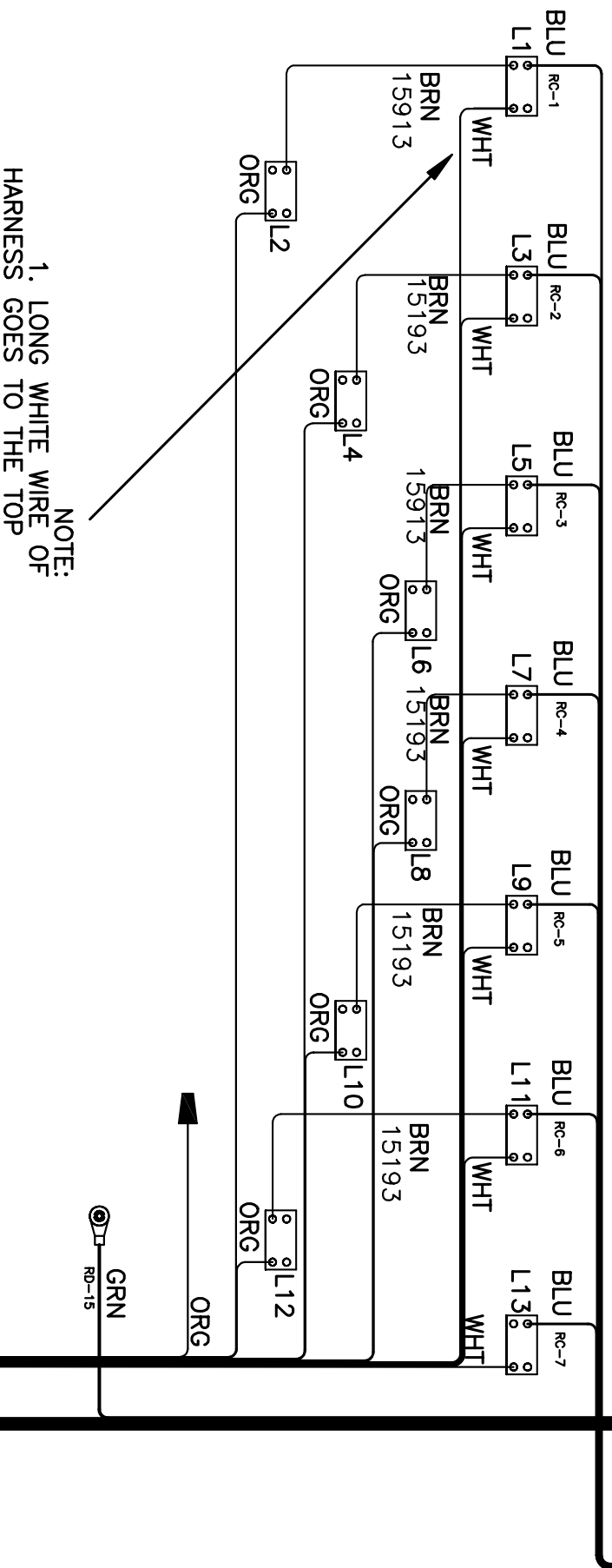
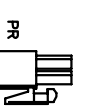


24105-05



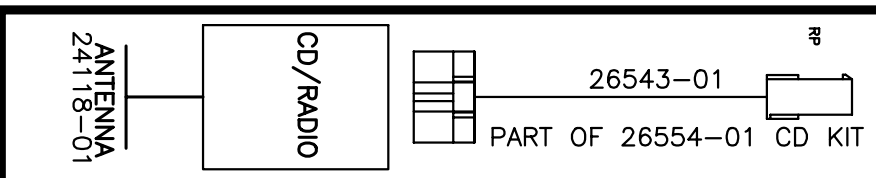
BLK RC-10  
WHT RC-9

FROM RIGHT MODULE  
AUDIO  
26550-01

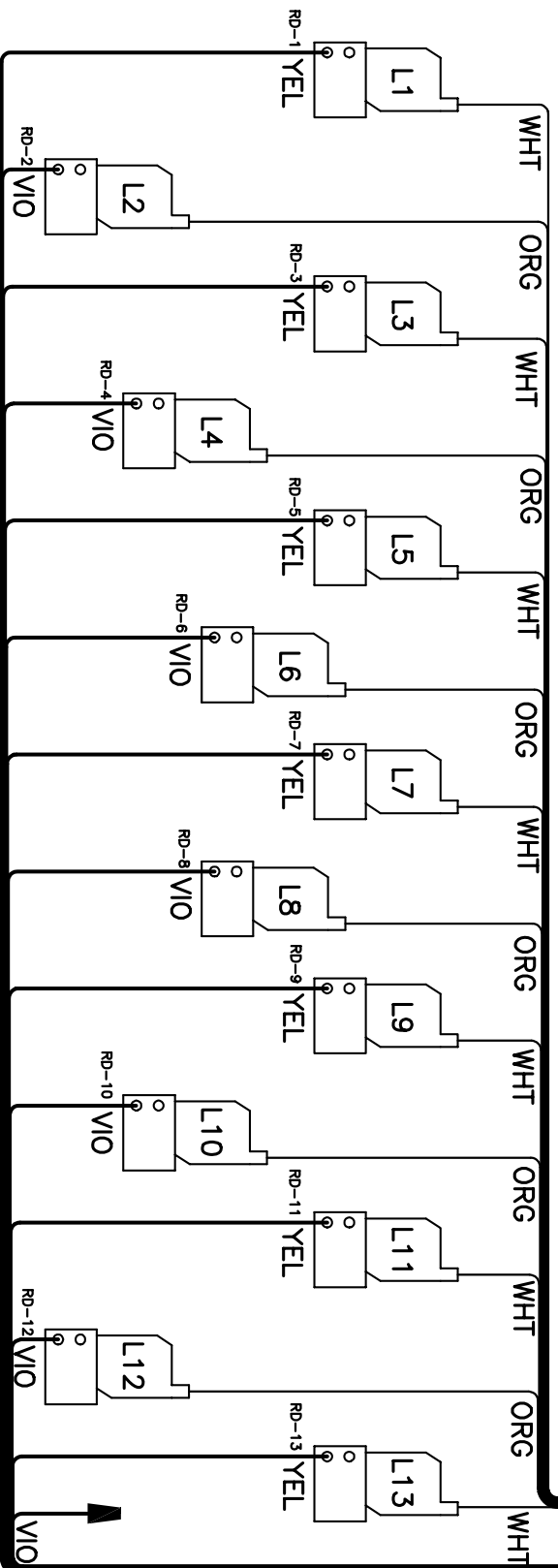


26093-01

26072-01



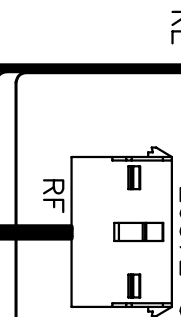
USED ON ELITE 756V / PLATINUM 652V MODELS ONLY  
FOR COMPLETE AUDIO DIAGRAM SEE DRAWINGS 26671-01 / 27612-01



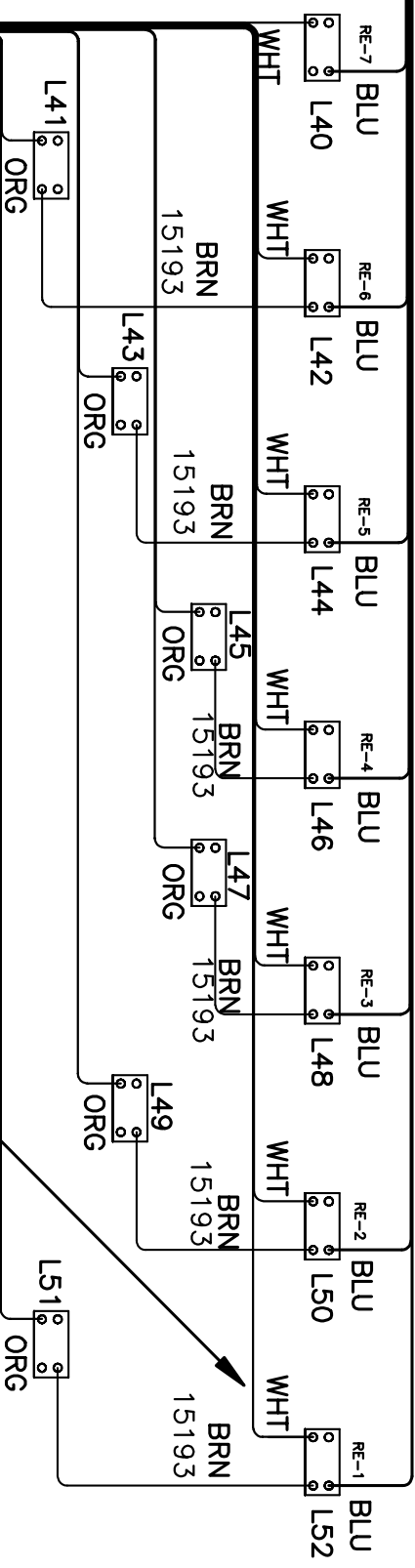
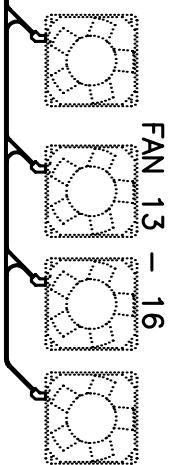
FROM RIGHT MODULE  
LAMP RETURNS  
26471-01

FROM RIGHT MODULE  
LAMP FEEDS  
26072-01

27611-01, REV A  
RIGHT DOOR 652V  
WIRING SHOWN FROM LAMP SIDE

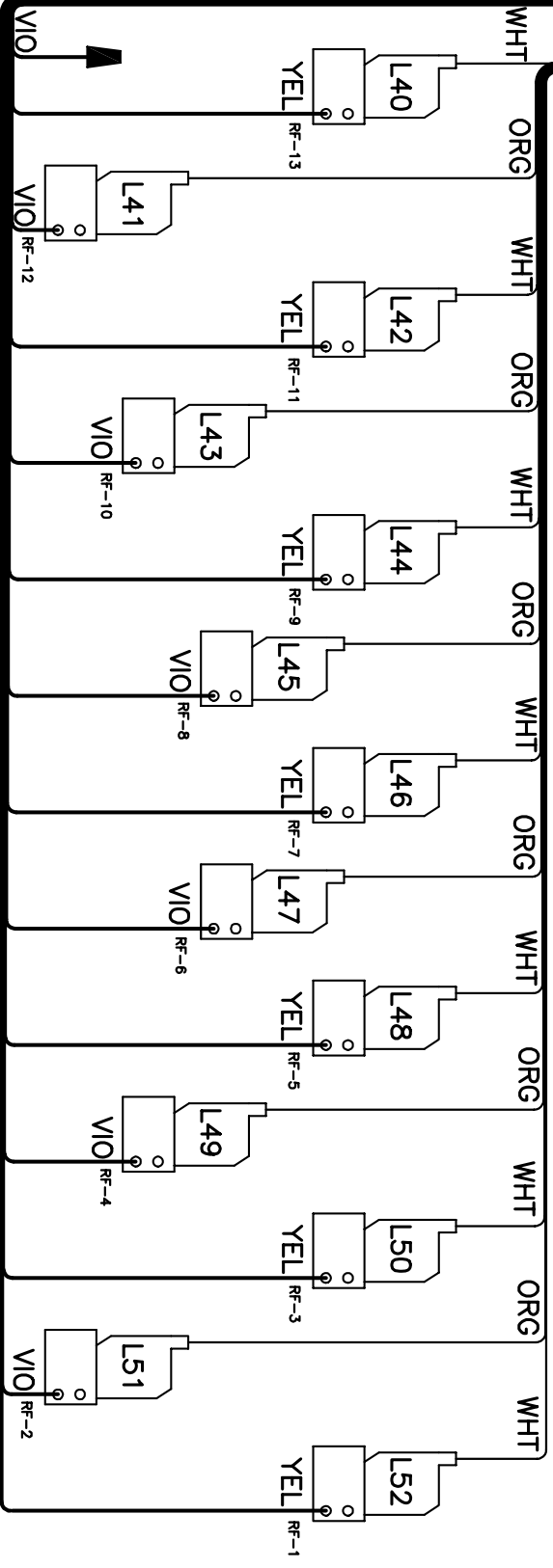


24105-05



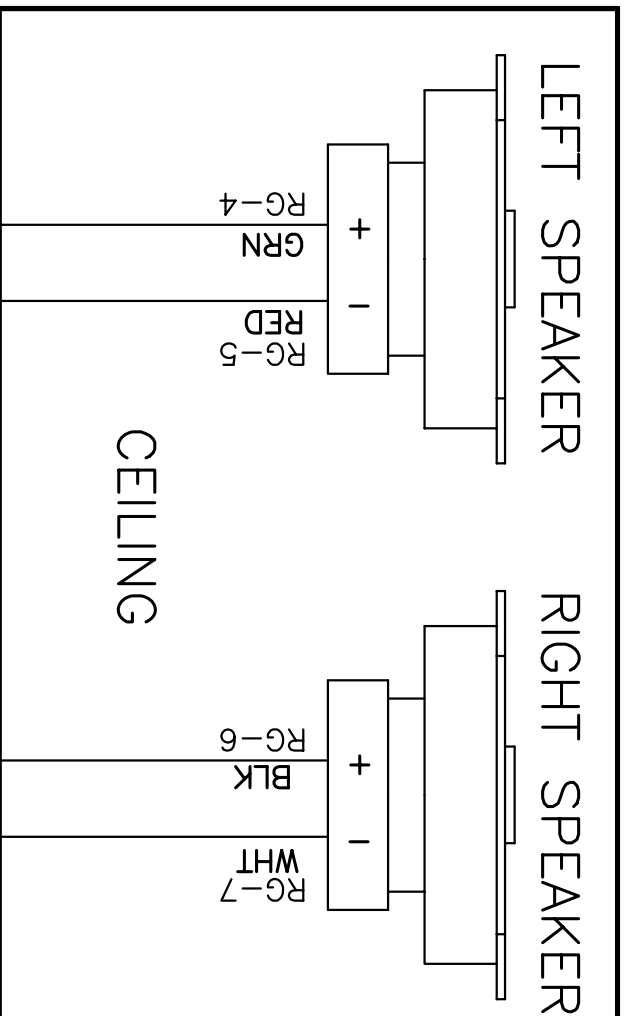
NOTE:  
1. LONG WHITE WIRE OF  
HARNES GOES TO THE TOP

26072-01  
26093-01

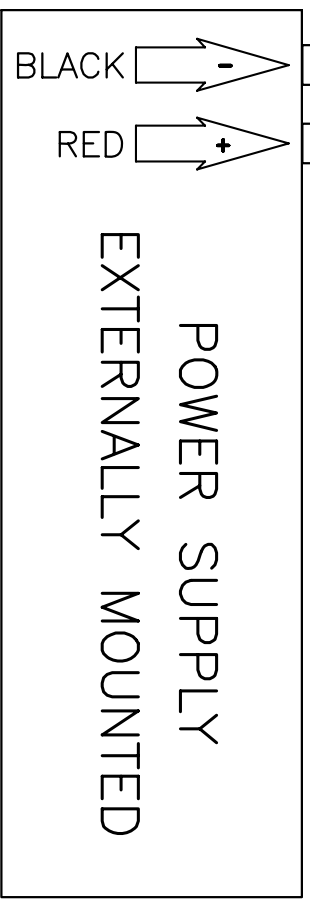
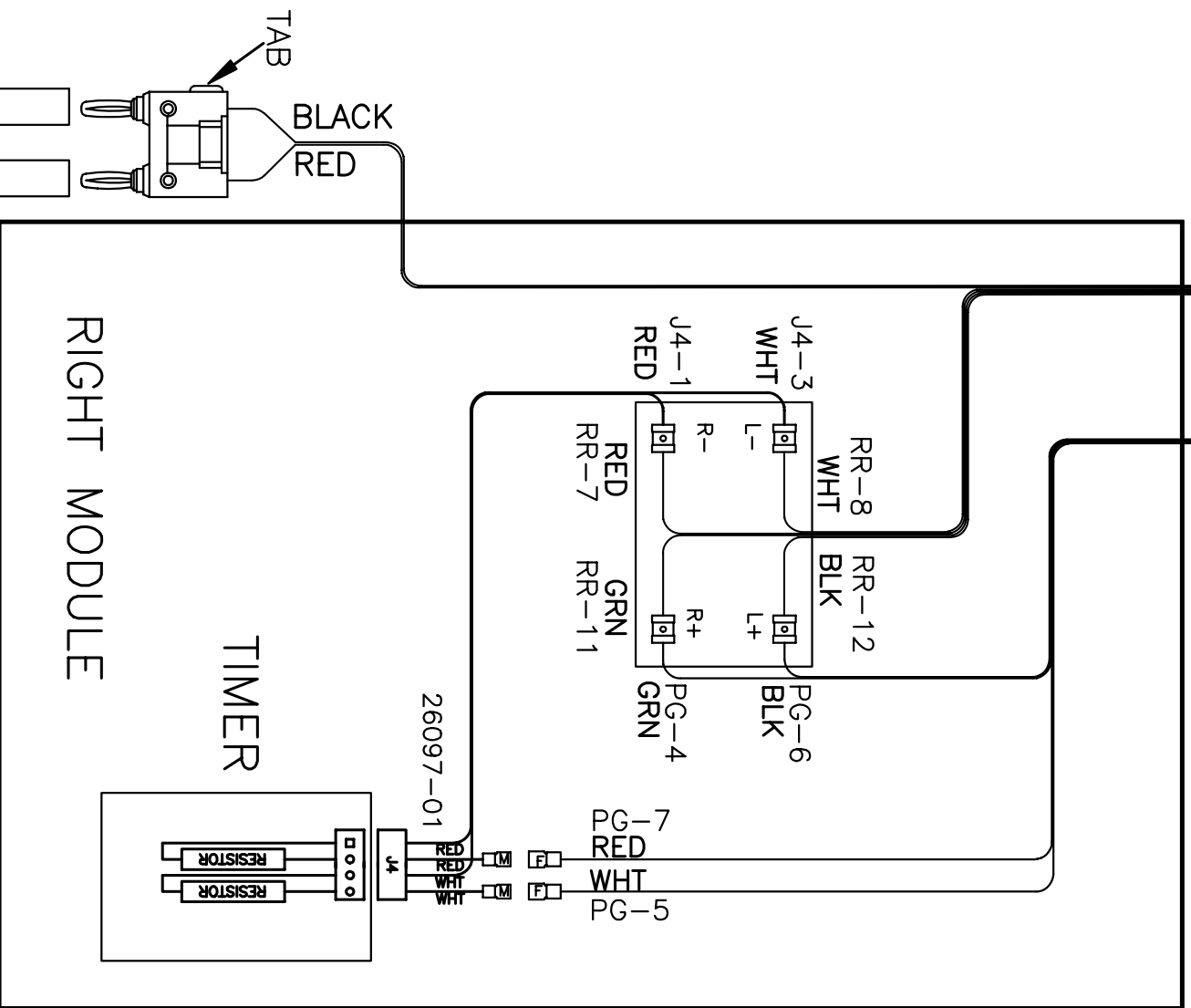
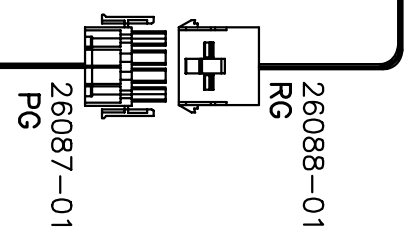
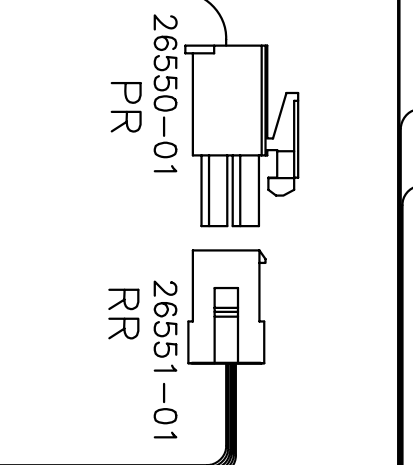
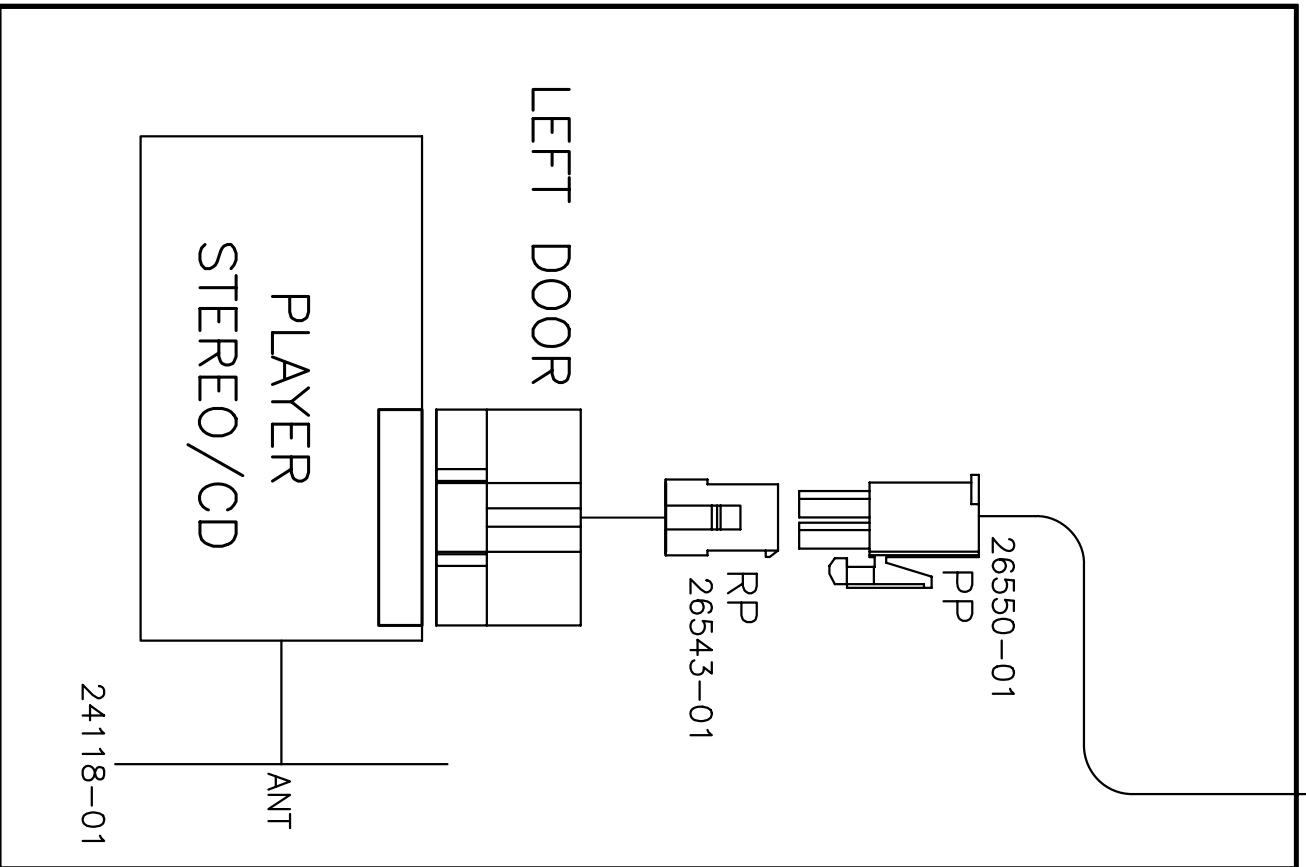


# AUDIO SYSTEM FOR PLATINUM 652V MODELS 27612-01, REV A

WARNING: ALTERING THE DESIGN, TIMER SYSTEM, OR WIRING FROM THAT SHOWN HEREIN, WILL VOID THE WARRANTY, AND MAY RESULT IN A VIOLATION OF FEDERAL LAW.



FUNCTION	RP	PP/PR/RR
BATTERY -	BLK-1	BLK-1
BATTERY +	YEL-4	YEL-4
ACCESSORY	RED-4	RED-4
SPKR L. REAR	GRN/BLK-5	
SPKR L. REAR	GRN-9	
SPKR R. REAR	VO/BLK-6	
SPKR R. REAR	VO-10	
SPKR R. FRONT	GRY/BLK-7	RED-7
SPKR R. FRONT	GRY-11	GRN-11
SPKR L. FRONT	WHT/BLK-8	WHT-8
SPKR L. FRONT	WHT-12	BLK-12



WARNING: ALTERING THE DESIGN, TIMER SYSTEM, OR WIRING FROM THAT SHOWN HEREIN, WILL VOID THE WARRANTY, AND MAY RESULT IN A VIOLATION OF FEDERAL LAW.

# INTERCONNECT DIAGRAM 652V

27612-01, REV A

