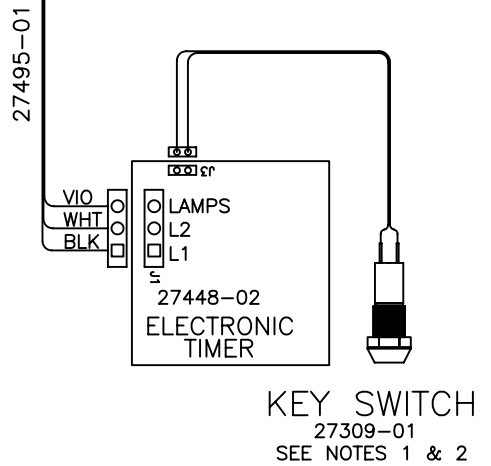
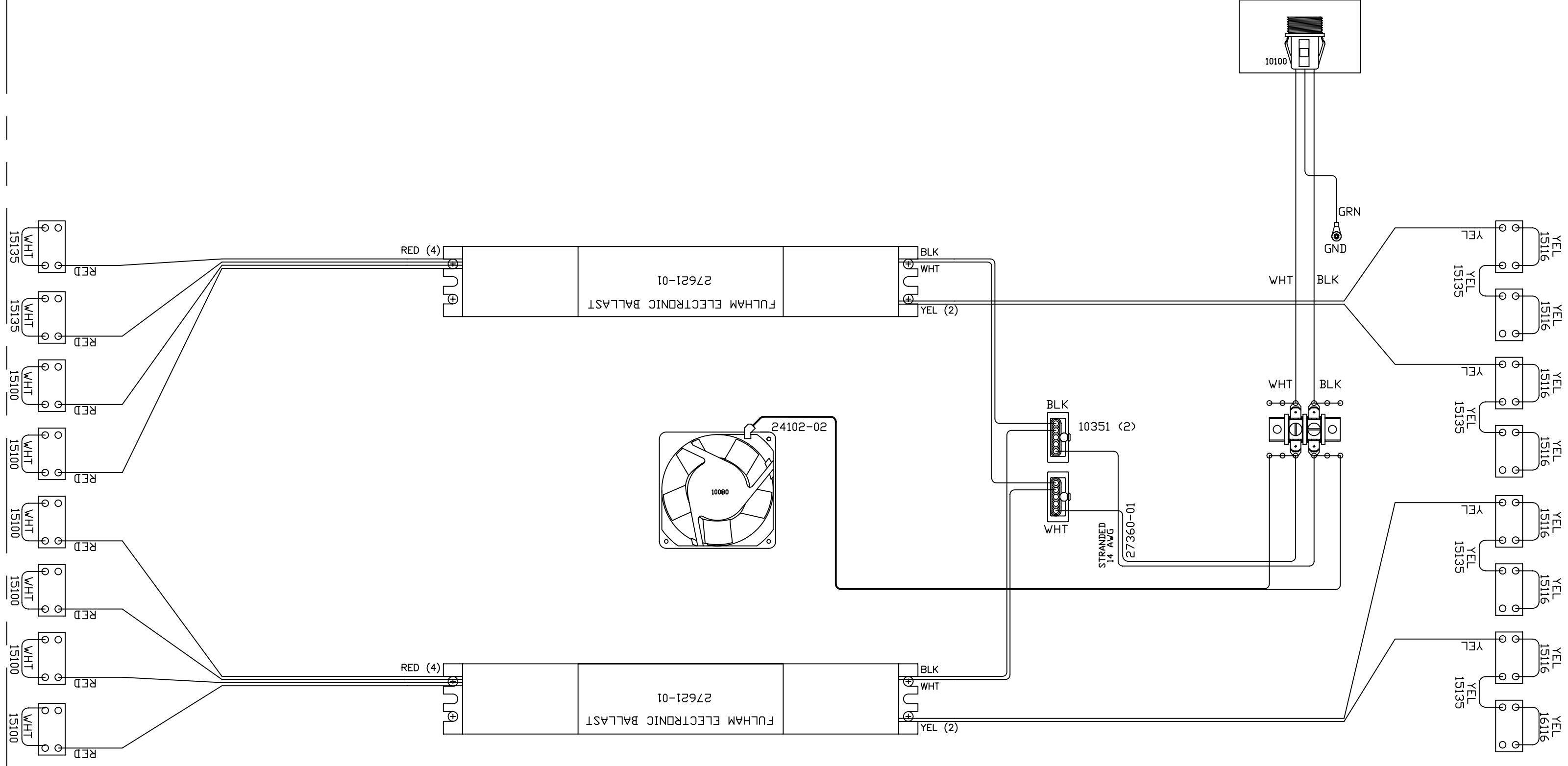


NOTES:
 1. KEY SWITCH NOT USED ON ALL MODELS.
 2. IF KEY SWITCH NOT USED,
 PINS ON J3 OF TIMER MUST BE SHORTED.

27711-01, REV A
 CANOPY, 8 LAMP 120 VAC
 FRONT OF BED



HEAD END



27712-01, REV A
 BENCH, 8 LAMP 120 VAC
 FRONT OF BED

HEAD END