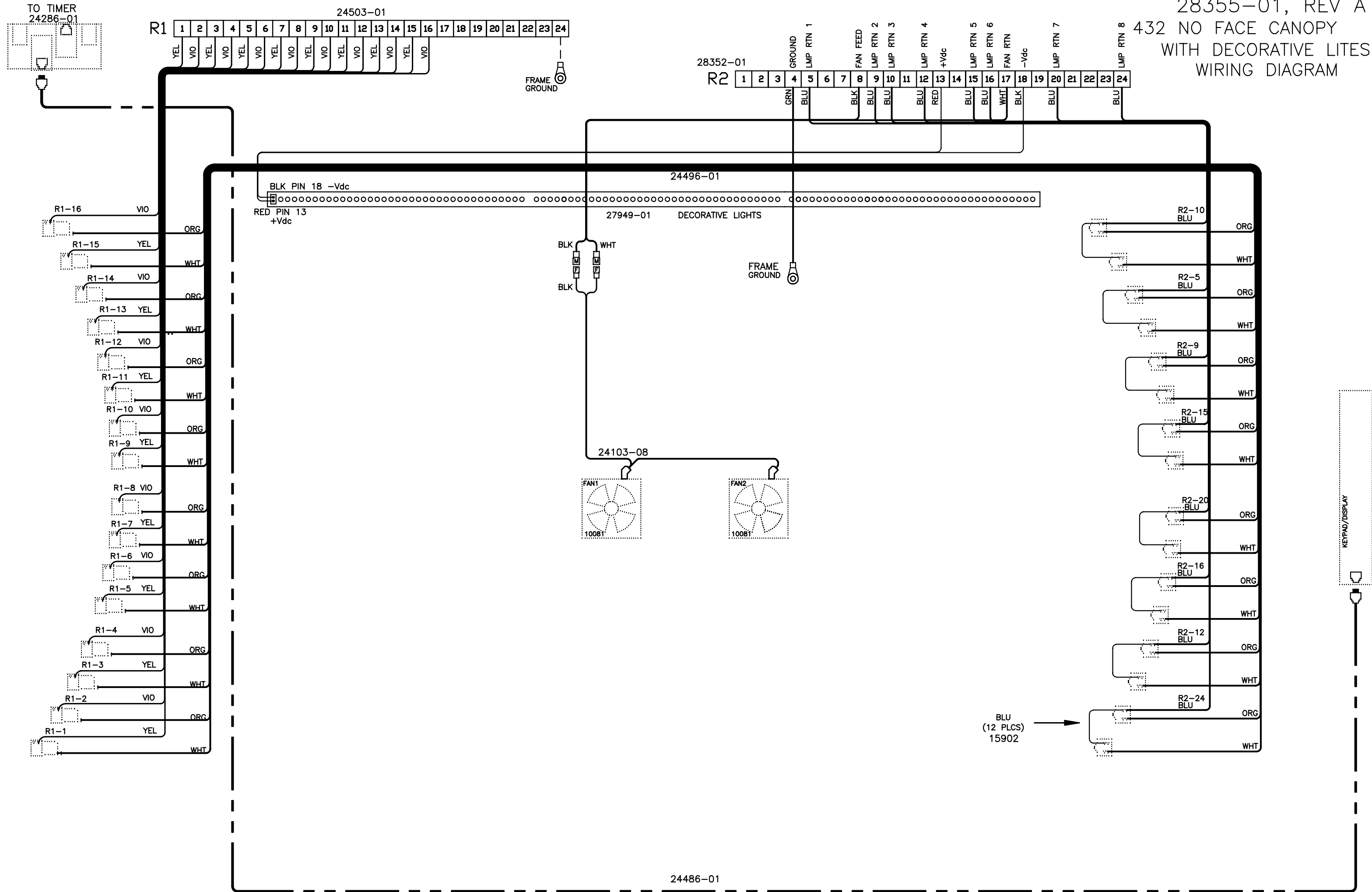
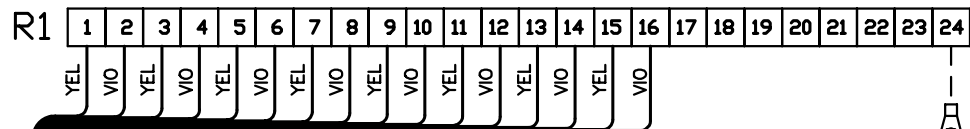


28355-01, REV A  
 432 NO FACE CANOPY  
 WITH DECORATIVE LITES  
 WIRING DIAGRAM

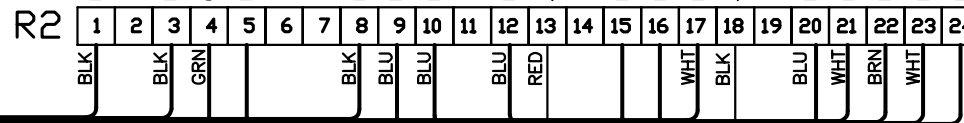


TO TIMER  
24286-01

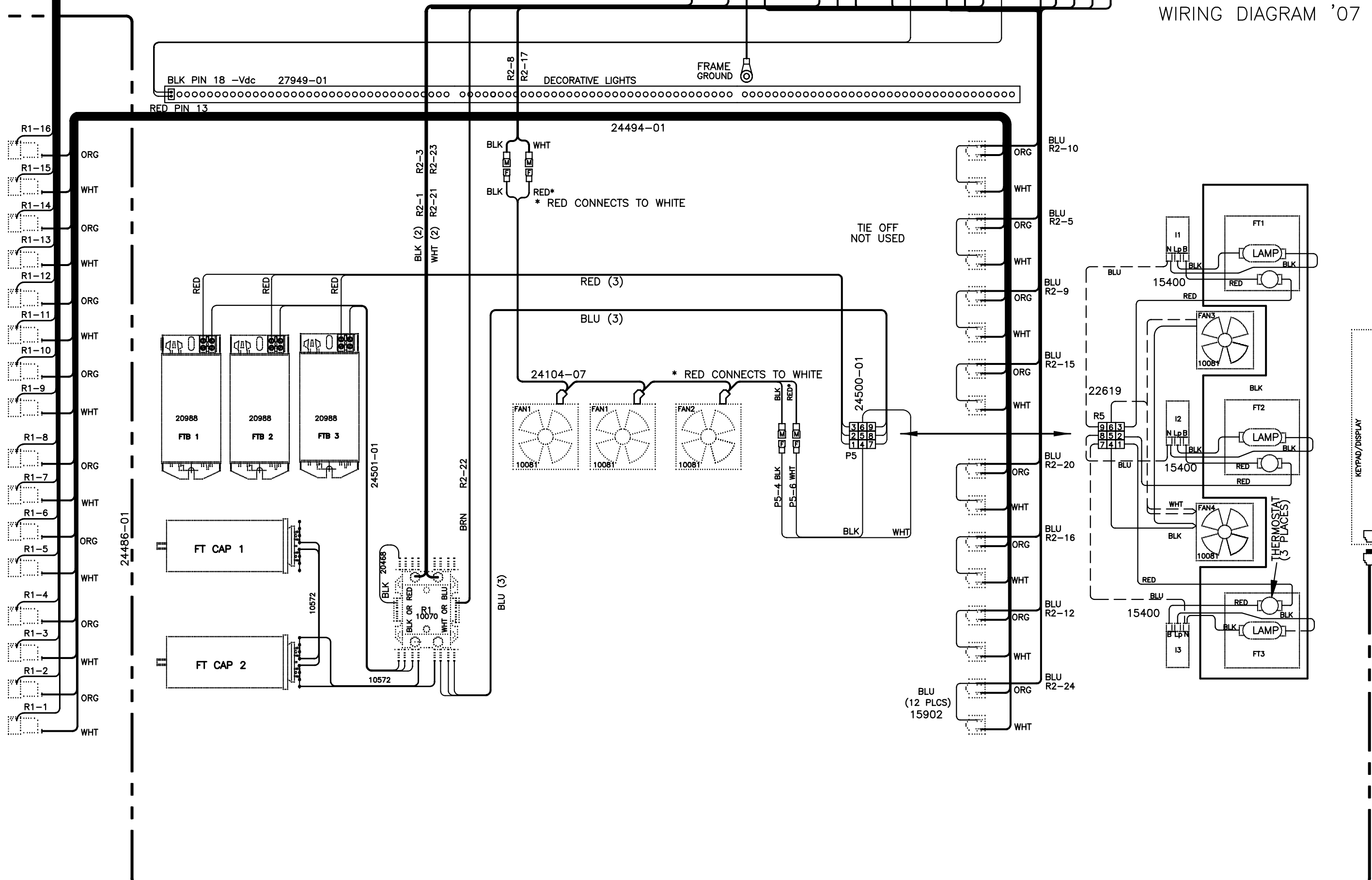
24498-01

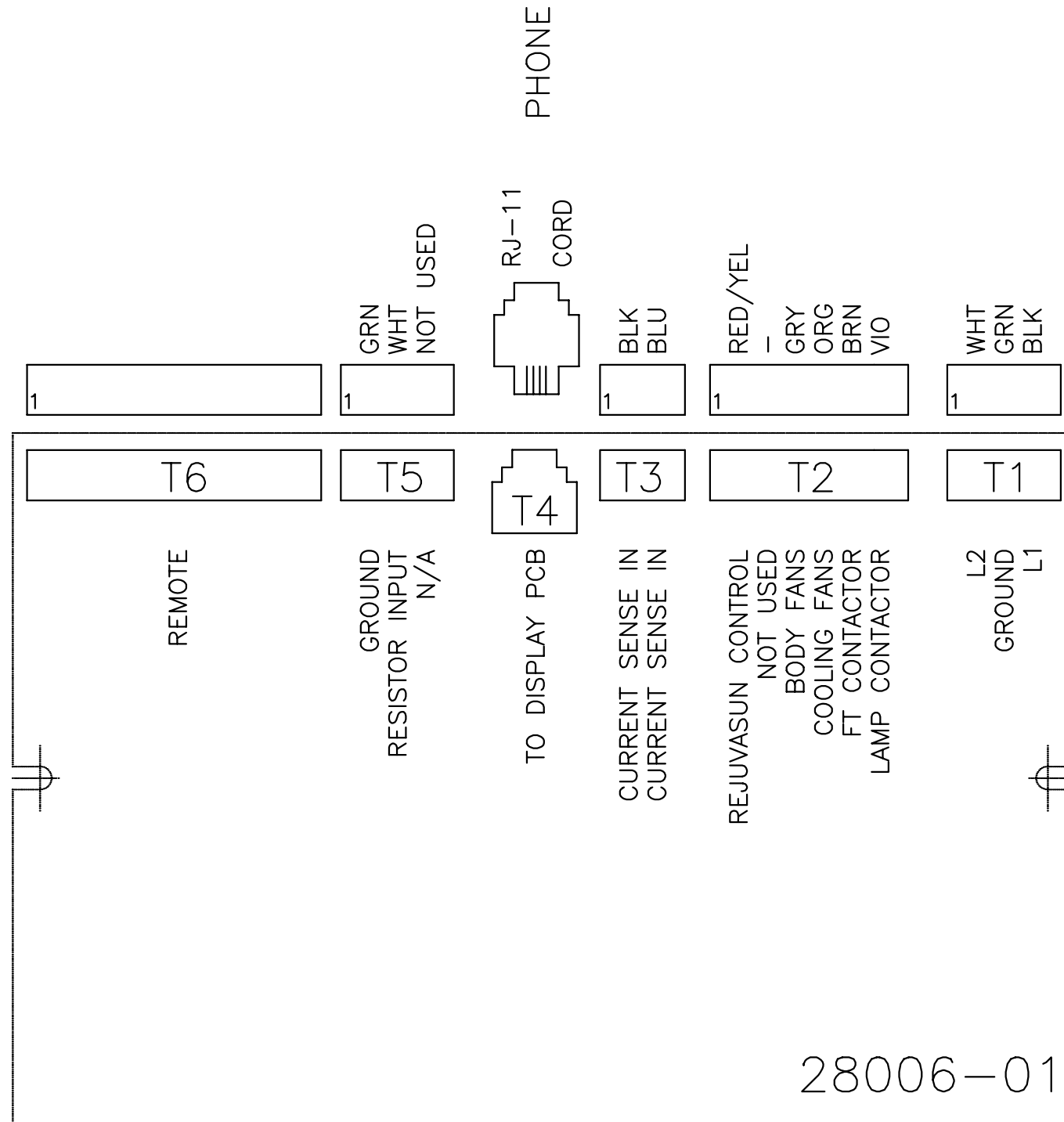


28353-01

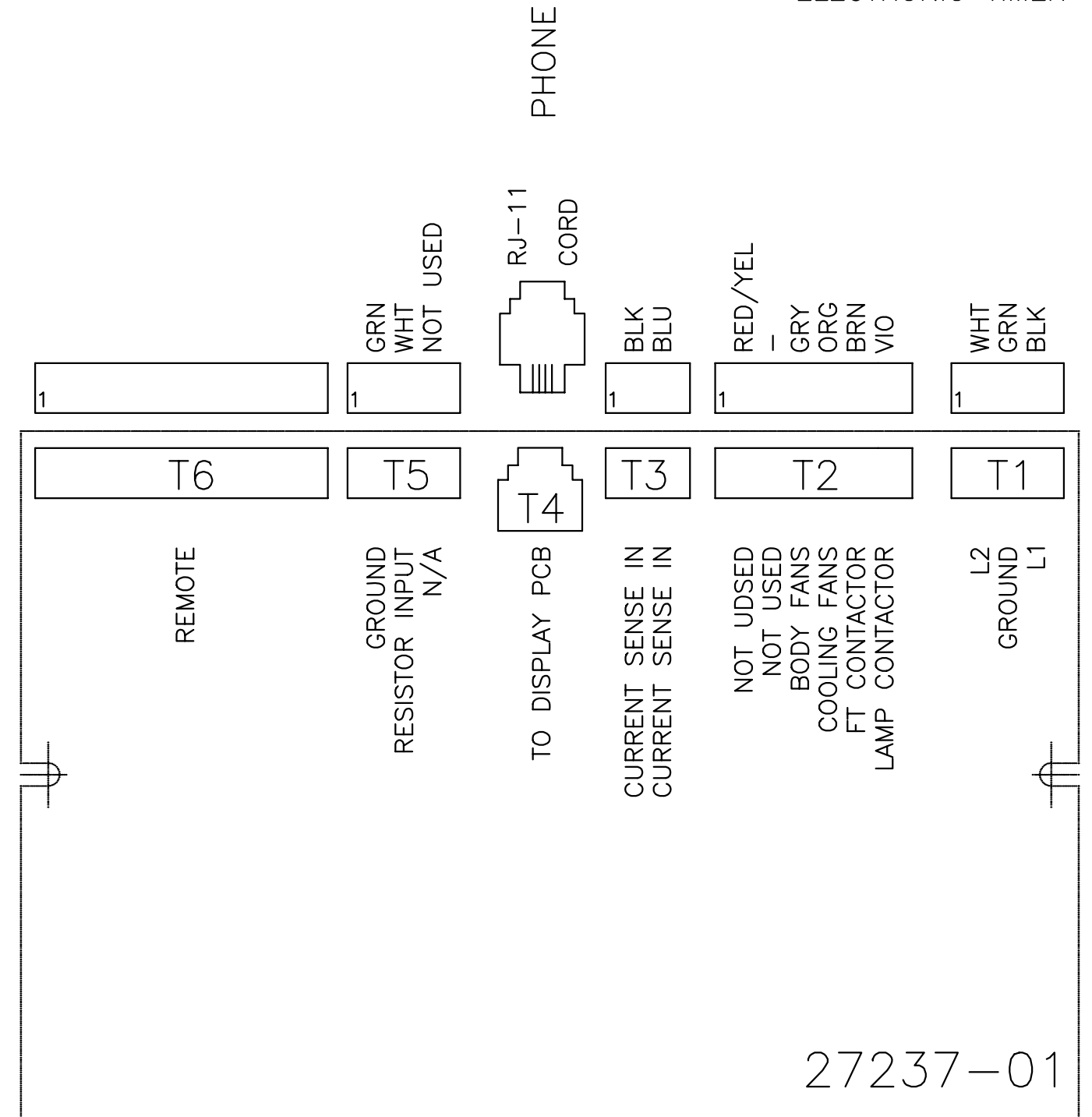


28355-01, REV A  
4323F CANOPY  
WITH DECORATIVE LITES  
WIRING DIAGRAM '07

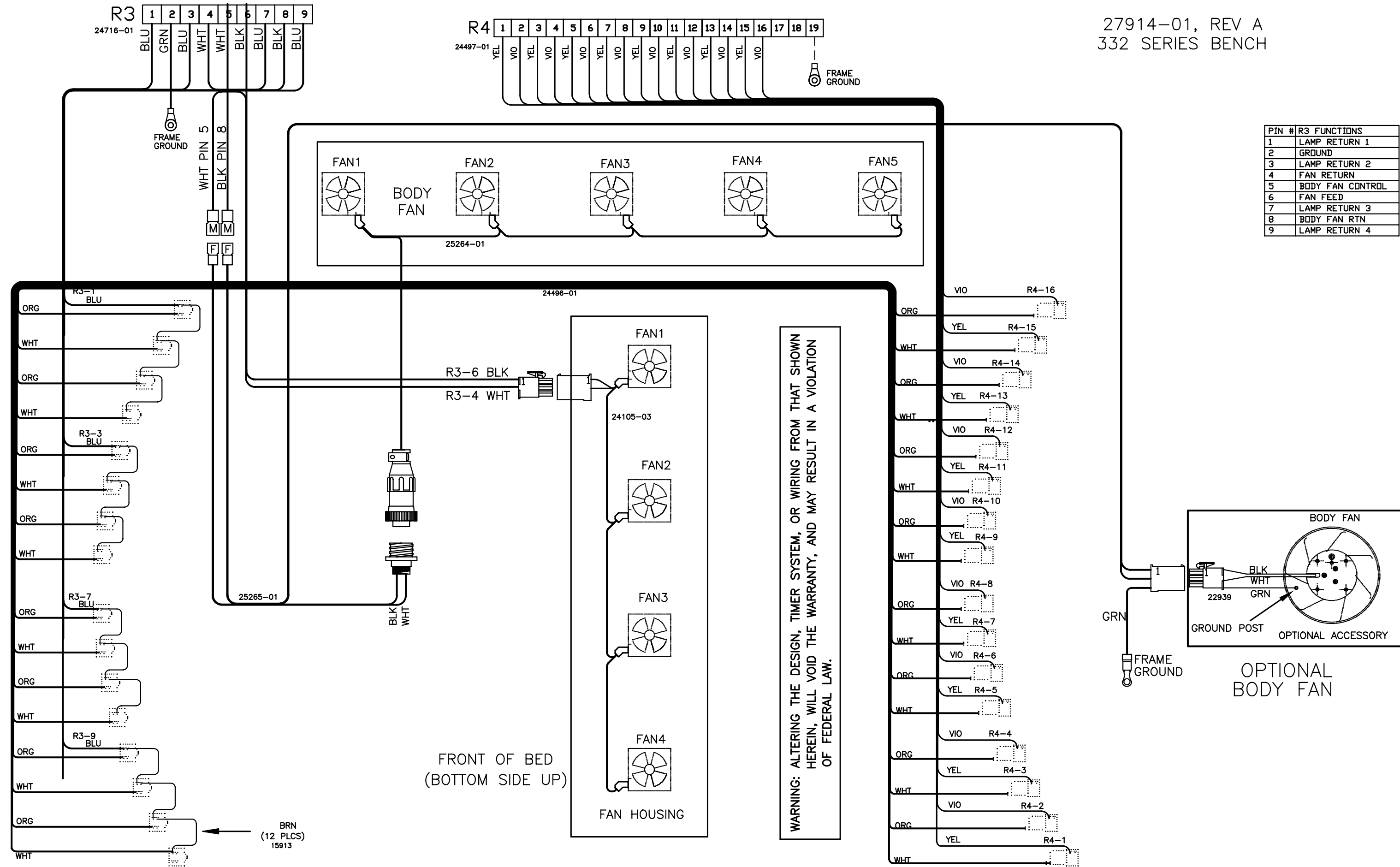




ELECTRONIC TIMER  
CONNECTOR DIAGRAM  
REJUVASUN UNITS ONLY

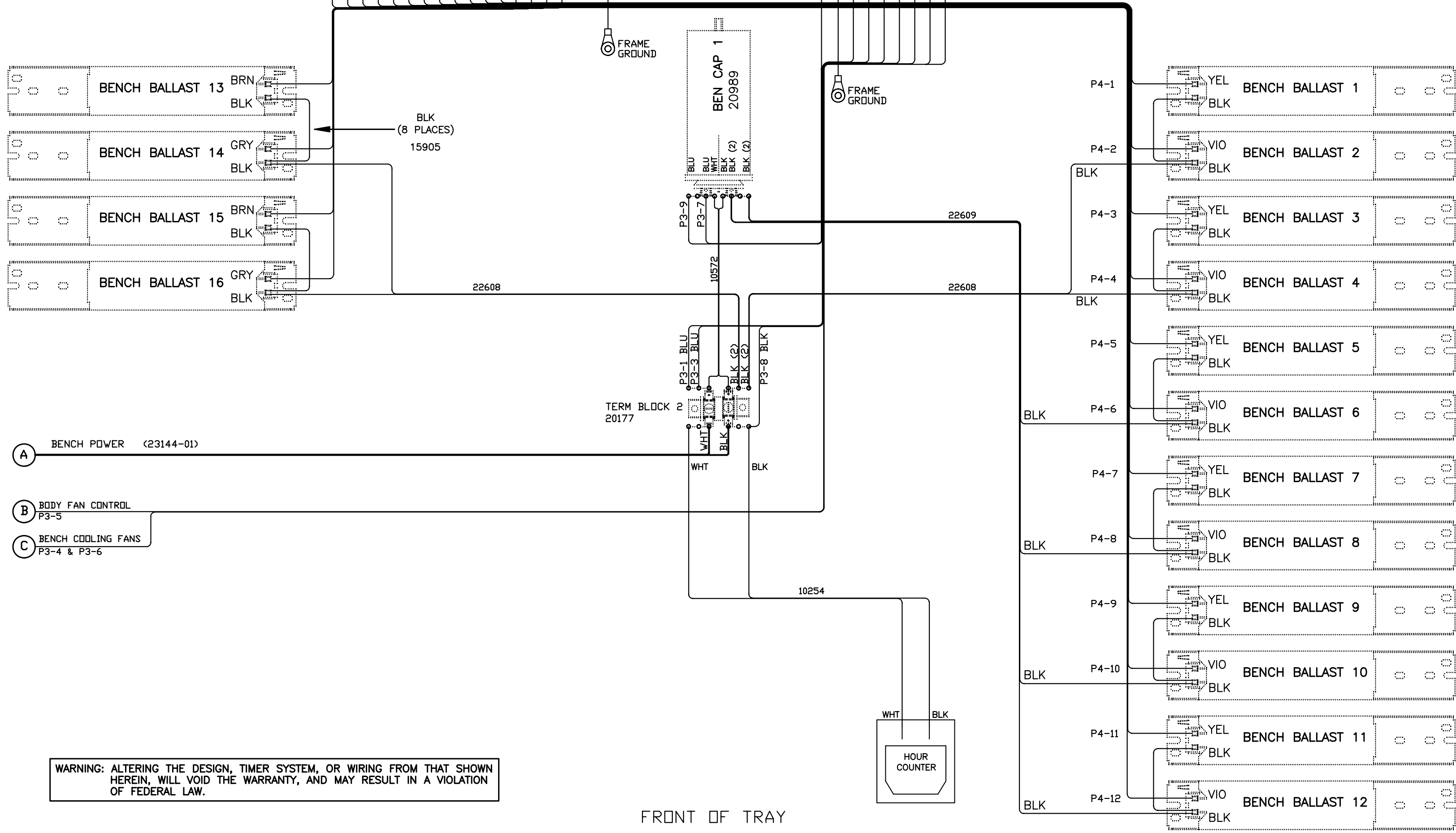
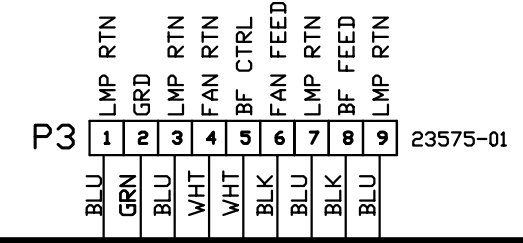
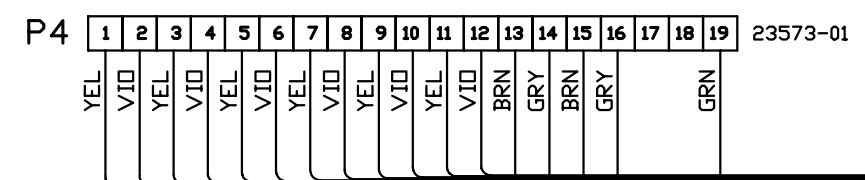


ELECTRONIC TIMER  
CONNECTOR DIAGRAM



PIN #	R3 FUNCTIONS
1	LAMP RETURN 1
2	GROUND
3	LAMP RETURN 2
4	FAN RETURN
5	BODY FAN CONTROL
6	FAN FEED
7	LAMP RETURN 3
8	BODY FAN RTN
9	LAMP RETURN 4

**WARNING: ALTERING THE DESIGN, TIMER SYSTEM, OR WIRING FROM THAT SHOWN HEREIN, WILL VOID THE WARRANTY, AND MAY RESULT IN A VIOLATION OF FEDERAL LAW.**



- (A)** BENCH POWER (23144-01)
- (B)** BODY FAN CONTROL P3-5
- (C)** BENCH COOLING FANS P3-4 & P3-6

**WARNING: ALTERING THE DESIGN, TIMER SYSTEM, OR WIRING FROM THAT SHOWN HEREIN, WILL VOID THE WARRANTY, AND MAY RESULT IN A VIOLATION OF FEDERAL LAW.**

FRONT OF TRAY

