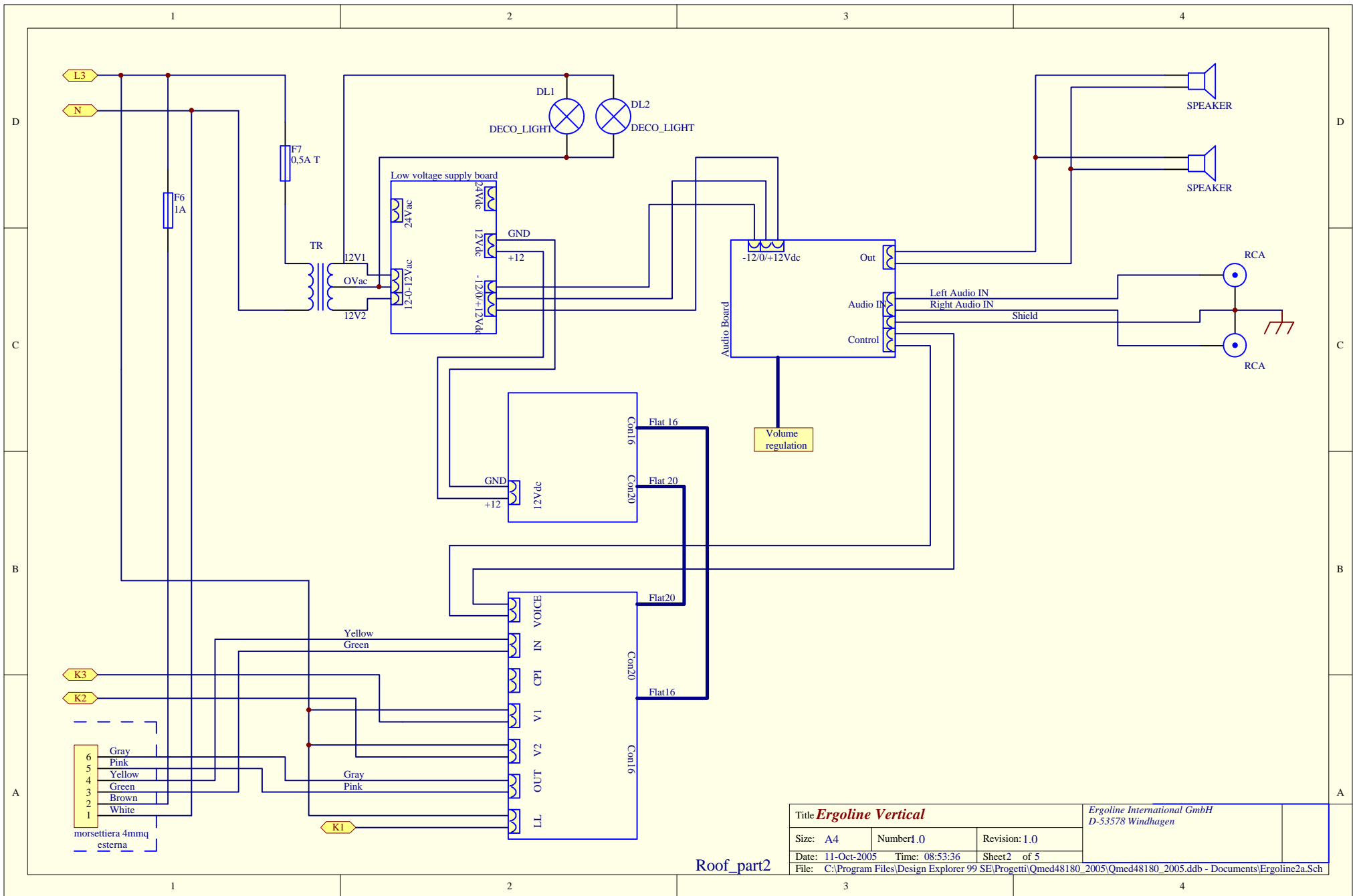


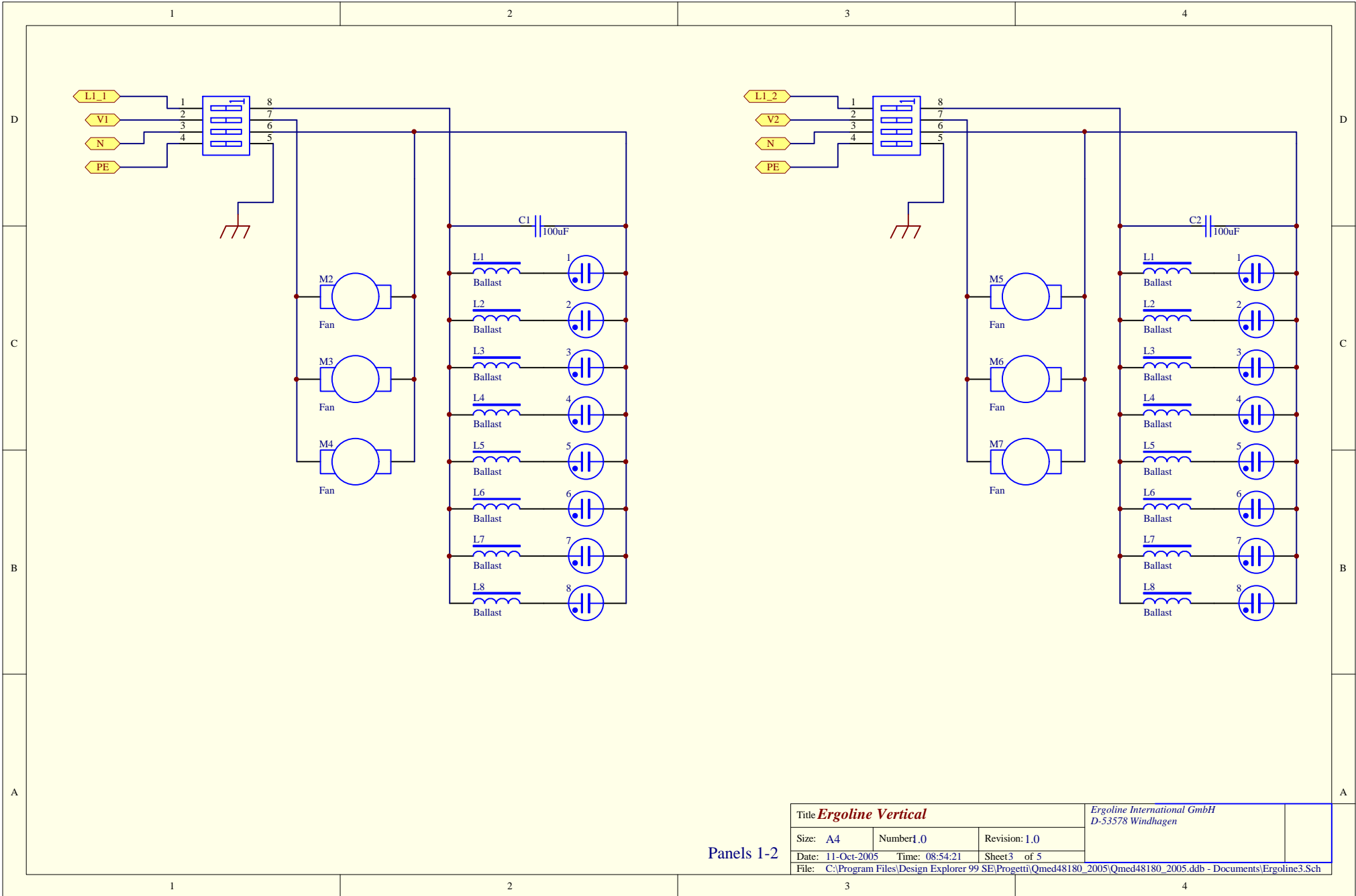
Roof_part1

| | | | |
|---|----------------|---------------|--|
| Title Ergoline Vertical | | | Ergoline International GmbH D-53578 Windhagen |
| Size: A4 | Number: 1.0 | Revision: 1.0 | |
| Date: 11-Oct-2005 | Time: 08:52:44 | Sheet 1 of 5 | |
| File: C:\Program Files\Design Explorer 99 SE\Progetti\Qmed48180_2005\Qmed48180_2005.ddb - Documents\Ergoline1.Sch | | | |



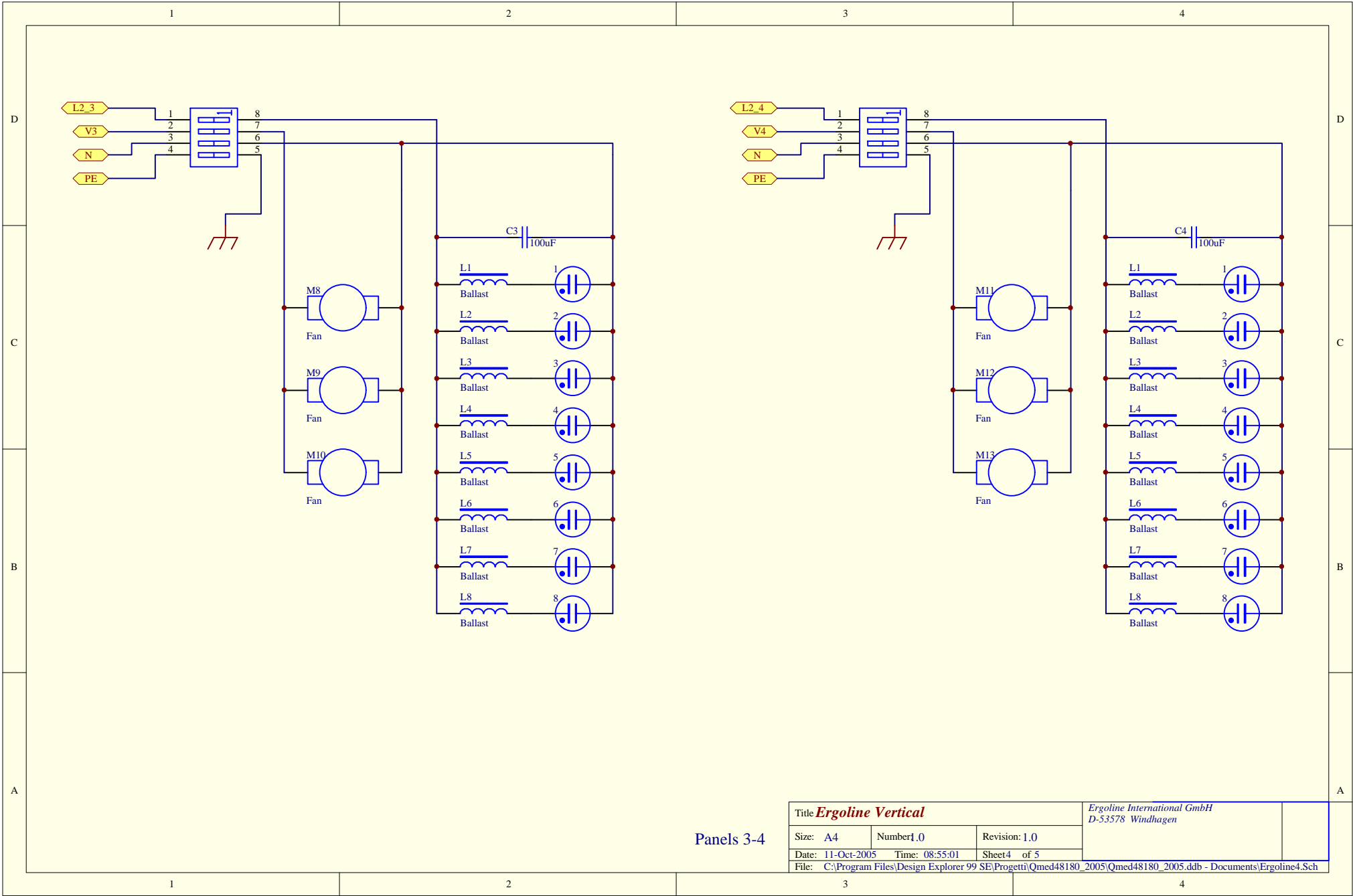
Roof_part2

| | | | |
|--|----------------|---------------|--|
| Title Ergoline Vertical | | | Ergoline International GmbH D-53578 Windhagen |
| Size: A4 | Number: 1.0 | Revision: 1.0 | |
| Date: 11-Oct-2005 | Time: 08:53:36 | Sheet: 2 of 5 | |
| File: C:\Program Files\Design Explorer 99 SE\Progetti\Qmed48180_2005\Qmed48180_2005.ddb - Documents\Ergoline2a.Sch | | | |



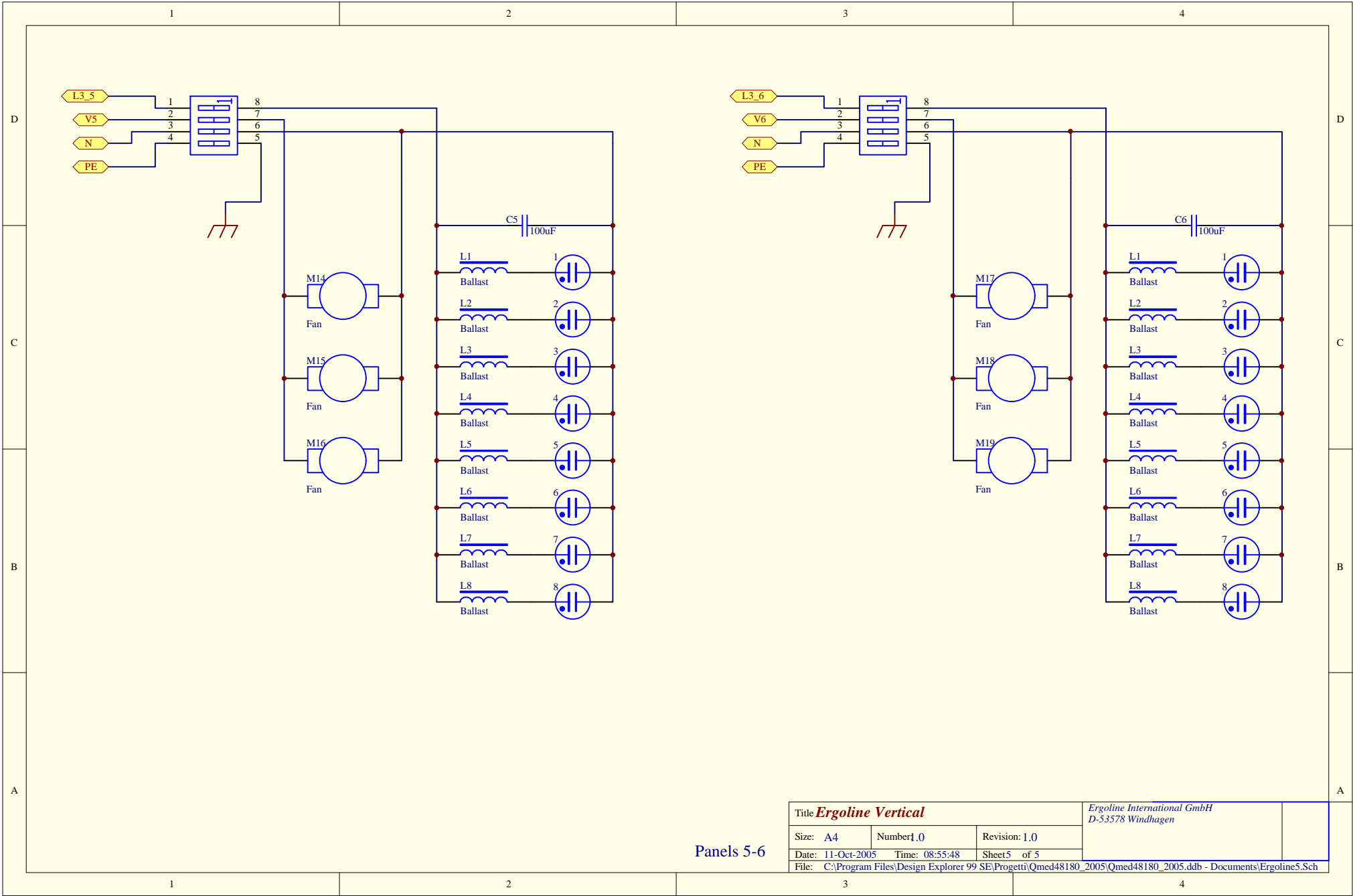
Panels 1-2

| | | | |
|---|----------------|---------------|--|
| Title Ergoline Vertical | | | Ergoline International GmbH D-53578 Windhagen |
| Size: A4 | Number: 1.0 | Revision: 1.0 | |
| Date: 11-Oct-2005 | Time: 08:54:21 | Sheet 3 of 5 | |
| File: C:\Program Files\Design Explorer 99 SE\Progetti\Qmed48180_2005\Qmed48180_2005.ddb - Documents\Ergoline3.Sch | | | |



Panels 3-4

| | | | |
|---|----------------|--|--|
| Title Ergoline Vertical | | Ergoline International GmbH D-53578 Windhagen | |
| Size: A4 | Number: 1.0 | Revision: 1.0 | |
| Date: 11-Oct-2005 | Time: 08:55:01 | Sheet 4 of 5 | |
| File: C:\Program Files\Design Explorer 99 SE\Progetti\Qmed48180_2005\Qmed48180_2005.ddb - Documents\Ergoline4.Sch | | | |



Panels 5-6

| | | | |
|---|----------------|--|--|
| Title Ergoline Vertical | | Ergoline International GmbH D-53578 Windhagen | |
| Size: A4 | Number: 1.0 | Revision: 1.0 | |
| Date: 11-Oct-2005 | Time: 08:55:48 | Sheet 5 of 5 | |
| File: C:\Program Files\Design Explorer 99 SE\Progetti\Qmed48180_2005\Qmed48180_2005.ddb - Documents\Ergoline5.Sch | | | |