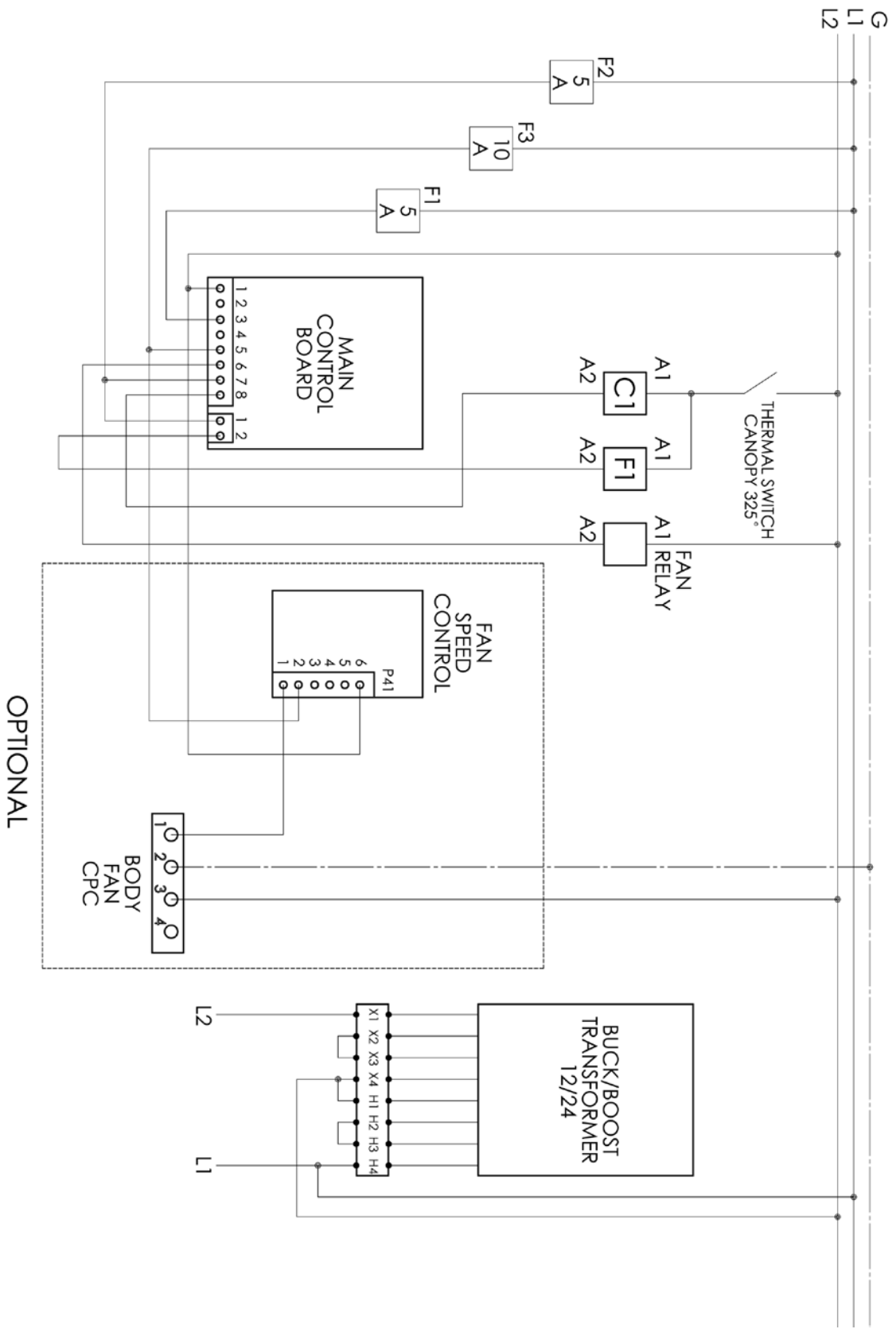
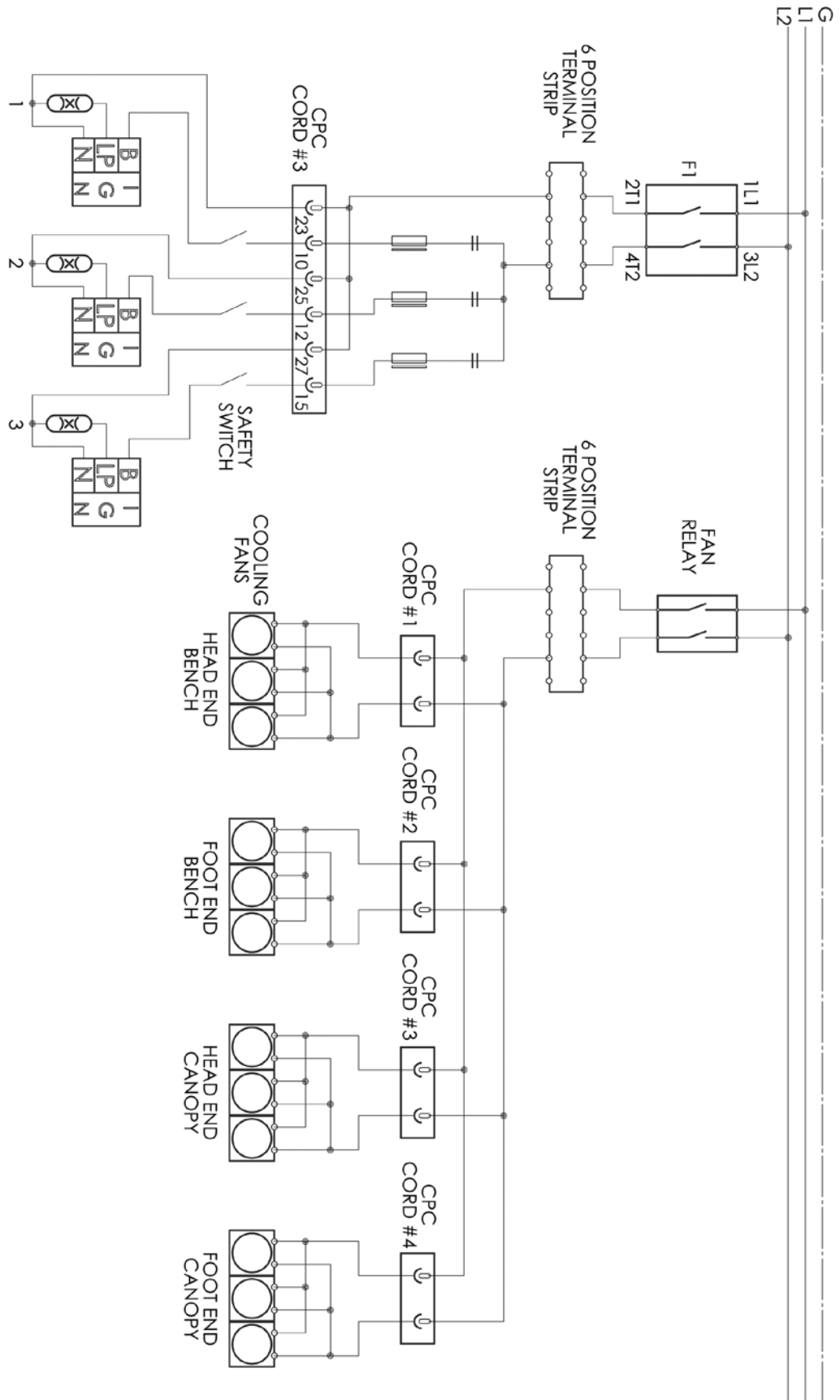


# CONTROL SYSTEM WIRING DIAGRAM



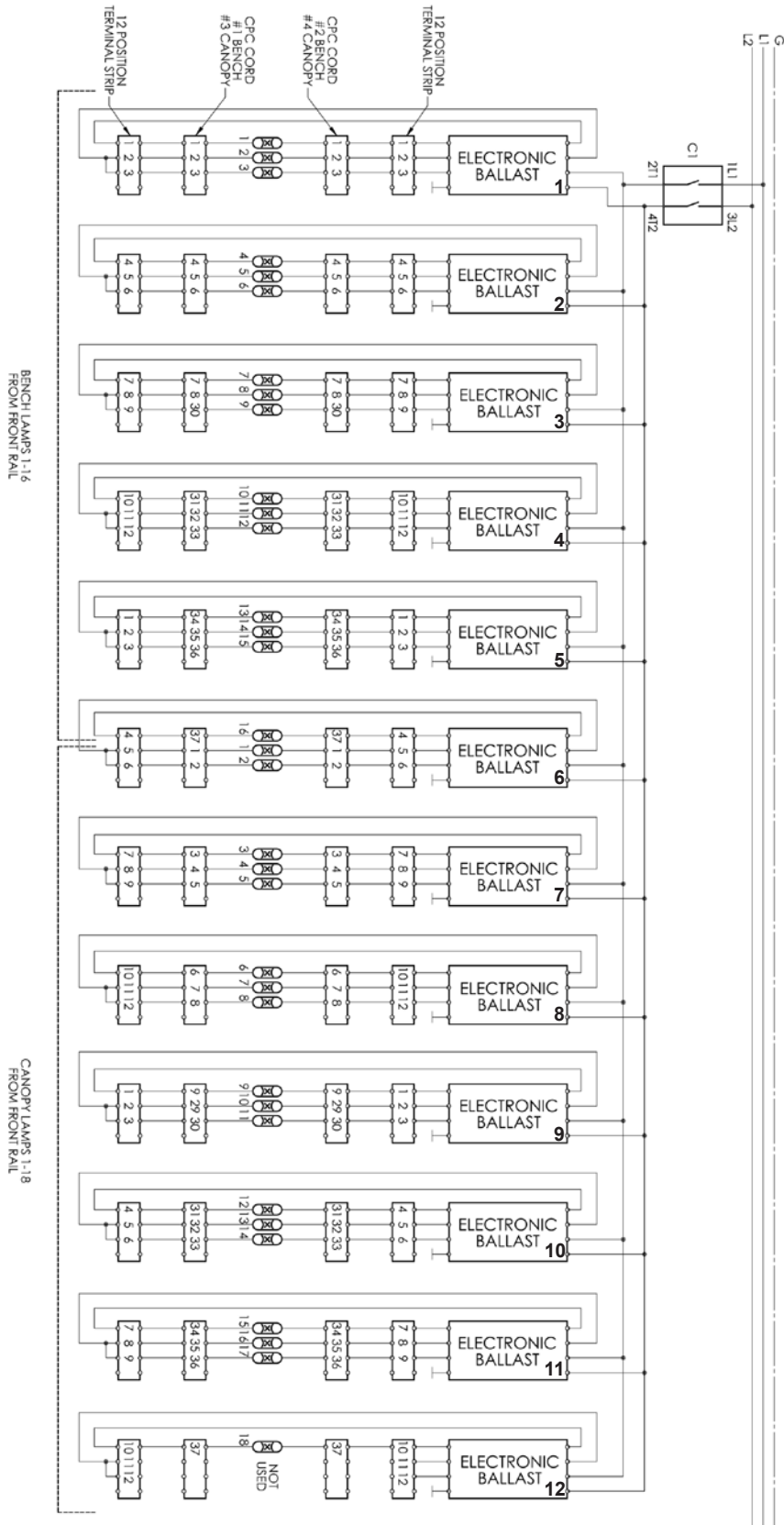
OPTIONAL

# FACIAL AND FAN WIRING



# BENCH & CANOPY LAMP WIRING

## Ballast #1 - Located in rear of tray counting forward



# TRANSFORMER SET UP

## CONVERTING THE INTERNAL BUCK/BOOST TRANSFORMER

The internal buck/boost transformer is used to raise the available salon voltage from a 208 supply to 230 for the tanning unit. Since most salons have a 208 supply this unit has been factory set at (+) 24 volts.

If the salon has above 208 the internal buck/boost transformer can be converted to supply either a (+) 12 volts, or (+) 0 volts.

**WARNING: BEFORE MAKING ANY CONVERSION ON THE UNIT A VOLTAGE READING MUST BE MADE USING A DIGITAL VOLTAGE METER BY A QUALIFIED PERSON. ONLY THEN CAN THE PROPER CONVERSION BE DECIDED.**

IF YOU HAVE VOLTAGE:

FROM 204 TO 215 THE UNIT IS PROPERLY CONFIGURED FROM THE FACTORY AND NO CONVERSION IS RECOMMENDED.

FROM 215 TO 230 THE UNIT WILL NEED TO BE CONVERTED FROM (+)24 TO (+)12, SEE FIGURE 1 AND DIRECTIONS.

FROM 230 TO 240 THE UNIT WILL NEED TO BE CONVERTED FROM (+) 24 TO (+)0., SEE FIGURE 2 AND DIRECTIONS.

To access the internal buck/boost transformer the ballast box cover will need to be removed.

