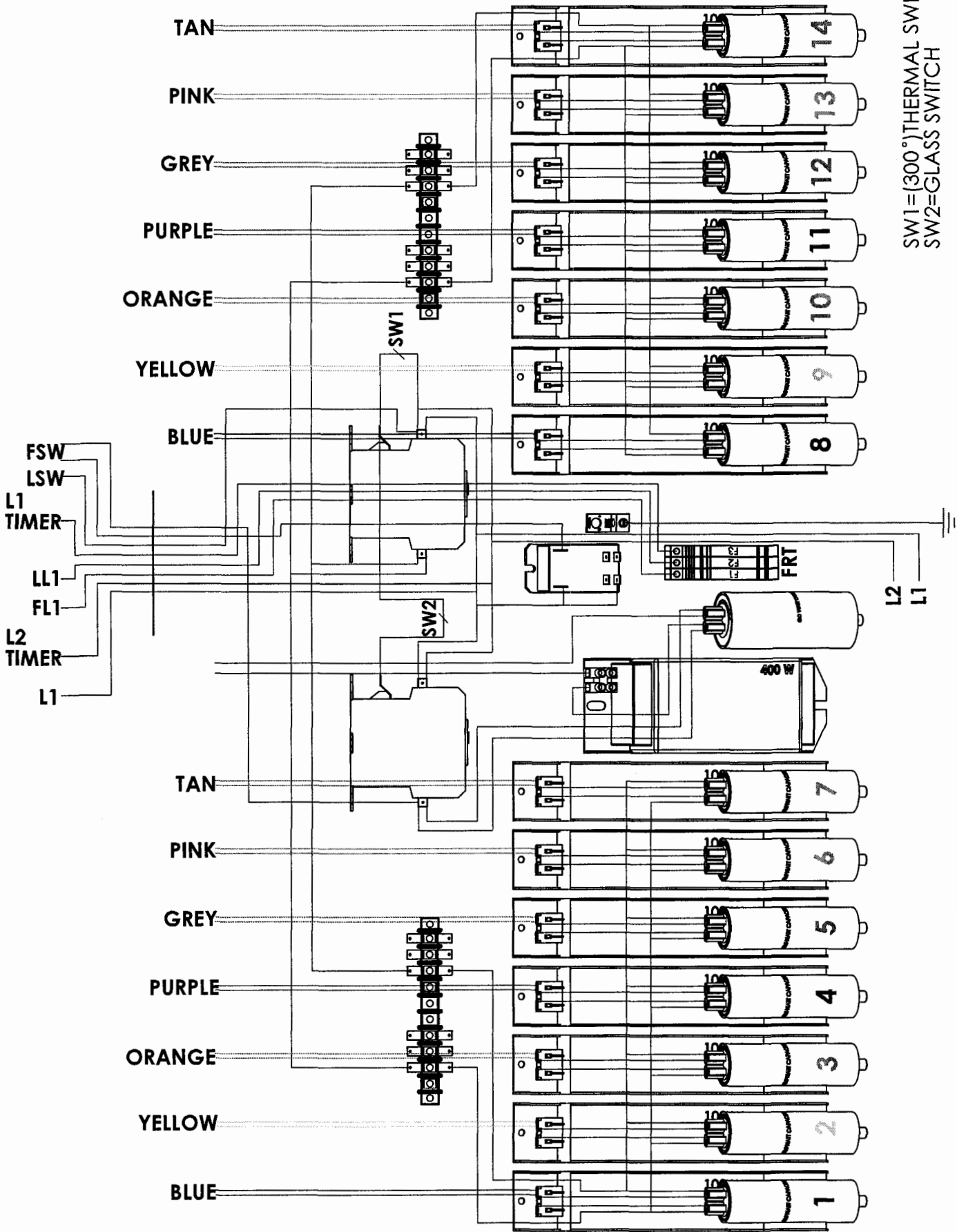


2800

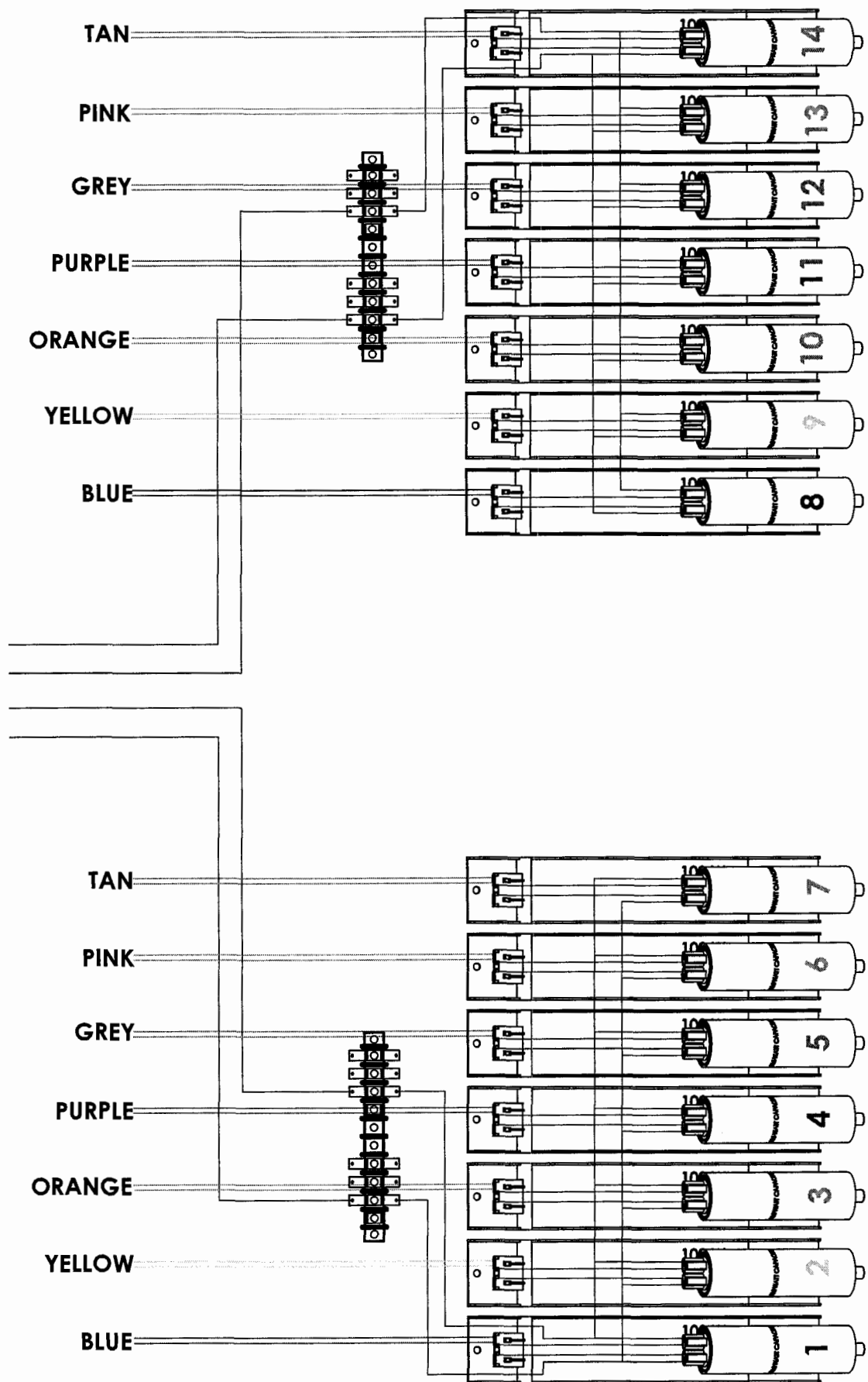
WIRING

2800 WIRING DIAGRAM CANOPY



SW1=(300°)THERMAL SWITCH
SW2=GLASS SWITCH

2800 WIRING DIAGRAM BENCH



SW1=(300°)THERMAL SWITCH
SW2=GLASS SWITCH

2800

BALLAST TRAY COMPONENTS AND LAYOUT

